

T-WAVE Modular System

EXHIBITION SYSTEM

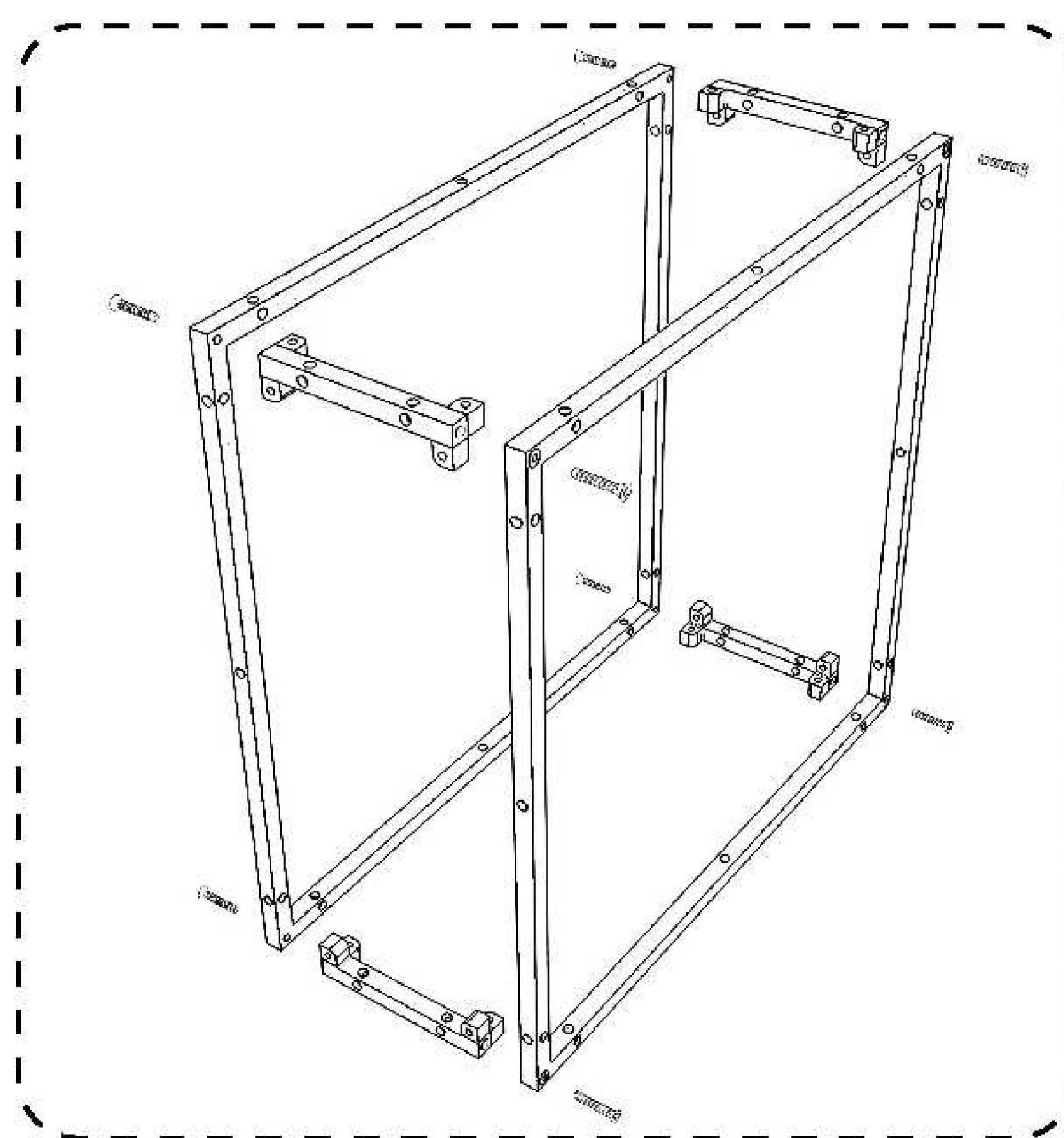
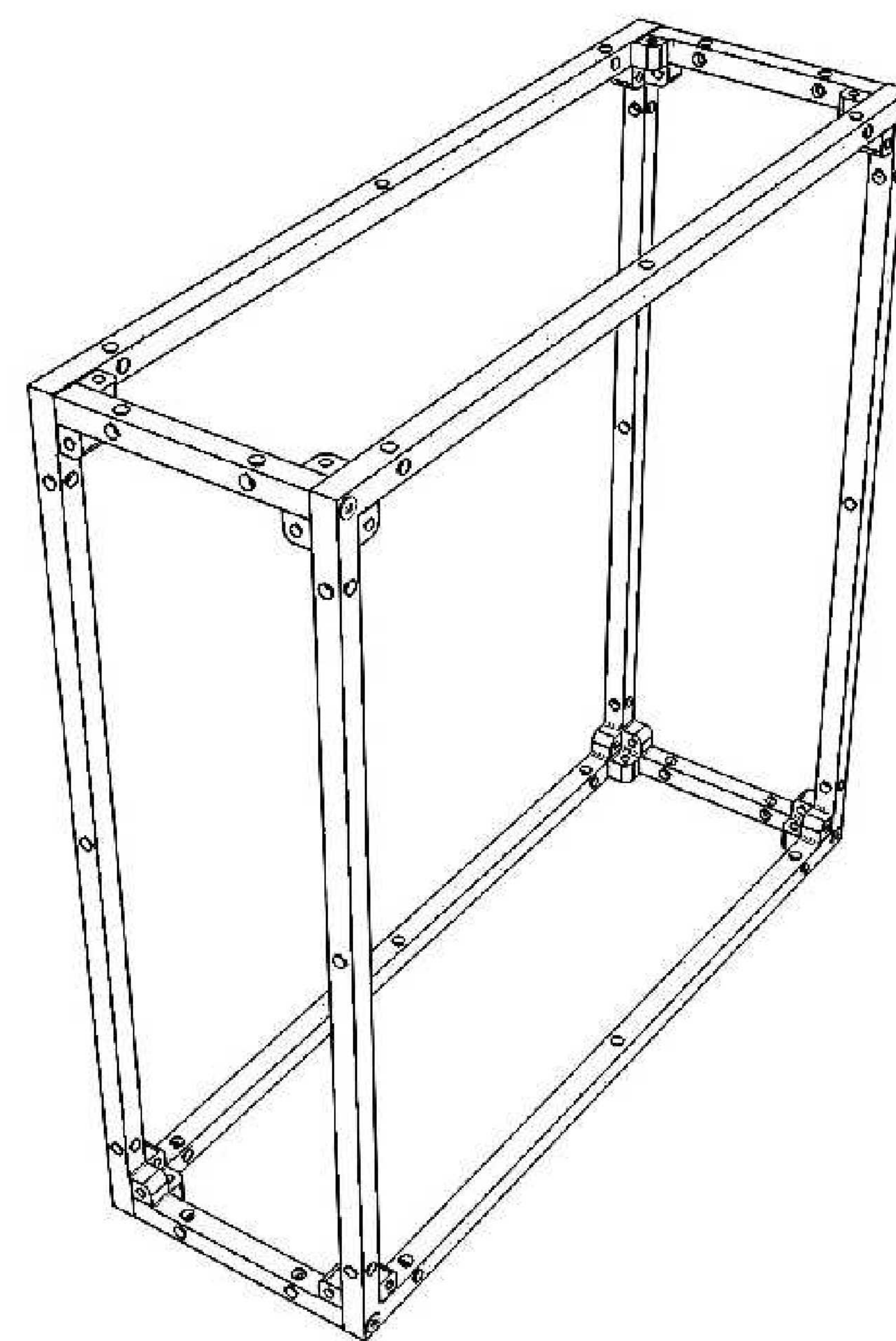
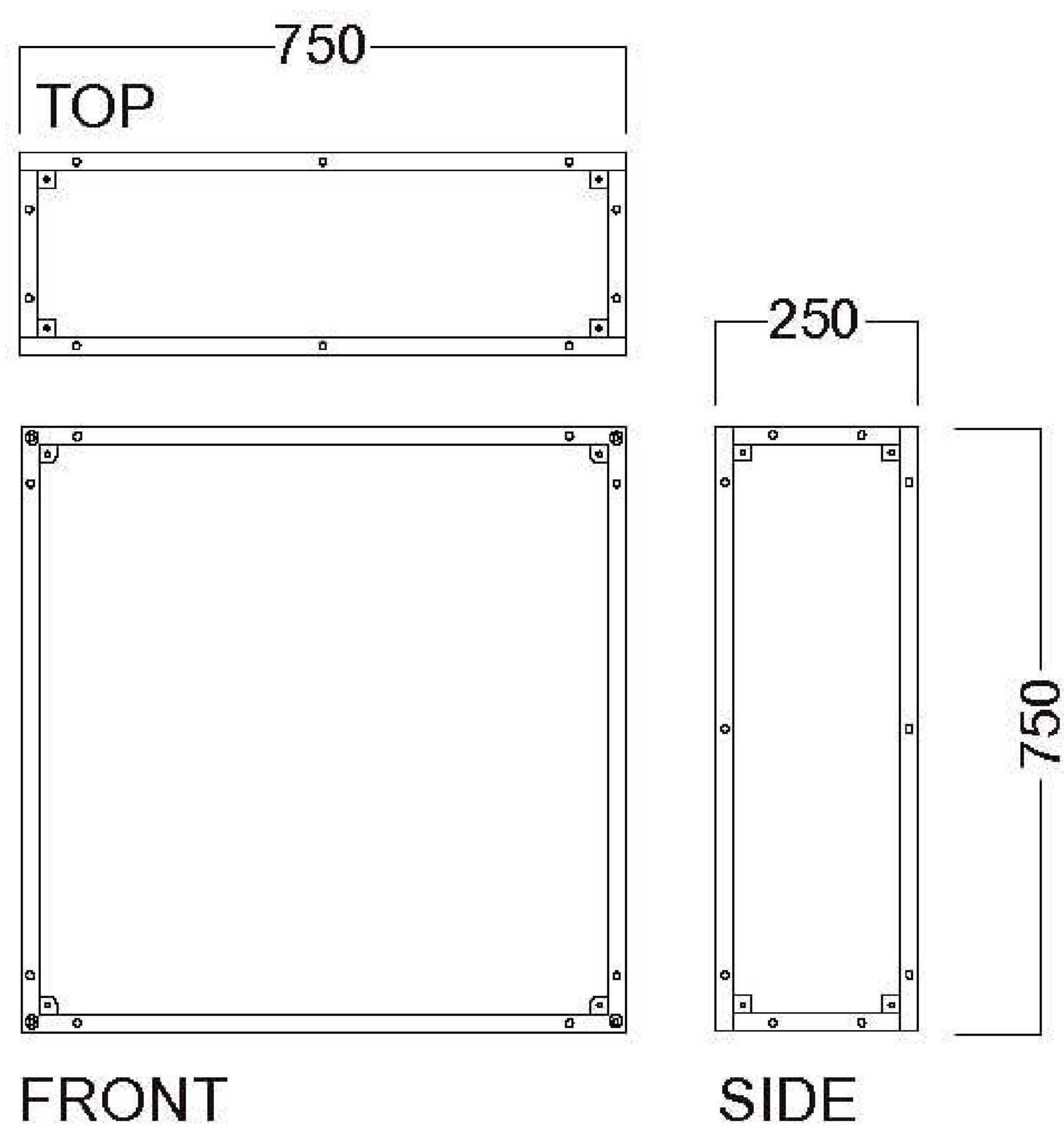
CONTENTS

T-WAVE A	1	T-WAVE OW250	36
T-WAVE A1500	2	T-WAVE OW750	37
T-WAVE A2250	3	T-WAVE R250	38
T-WAVE A-GLASS	4	T-WAVE R500	39
T-WAVE B750	5	T-WAVE R750	40
T-WAVE B500	6	T-WAVE R750-750	41
T-WAVE B250	7	T-WAVE RW	42
T-WAVE BR750	8	T-WAVE T750	43
T-WAVE BR500	9	T-WAVE T1000	44
T-WAVE BR250	10	T-WAVE T2000	45
T-WAVE C	11	T-WAVE TR250	46
T-WAVE D250	12	T-WAVE TR750	47
T-WAVE D500	13	T-WAVE Y[ex]	48
T-WAVE D750	14	T-WAVE Y250	49
T-WAVE D1000	15	T-WAVE YB250	50
T-WAVE D1500	16	T-WAVE YC250	51
T-WAVE D2250	17	T-WAVE YC2-250	52
T-WAVE E250	18	T-WAVE YC7-250	53
T-WAVE E750	19	T-WAVE YD250	54
T-WAVE E30-750	20	T-WAVE YE250	55
T-WAVE E30-250	21	T-WAVE YF250	56
T-WAVE F750	22	T-WAVE YW250	57
T-WAVE G250	23	T-WAVE YP250	58
T-WAVE G750	24	T-WAVE D433	59
T-WAVE H750	25	T-WAVE D866	60
T-WAVE K750	26	T-WAVE X250	61
T-WAVE L250	27	T-WAVE X750	62
T-WAVE L750	28	T-WAVE V250	63
T-WAVE Ls250	29	T-WAVE V750	64
T-WAVE Ls750	30	T-WAVE A+V250	65
T-WAVE M500	31	T-WAVE DOOR	66
T-WAVE M750	32	TW-FC	67
T-WAVE M1500	33	T-WAVE FLOOR	68
T-WAVE O250	34		
T-WAVE O750	35		

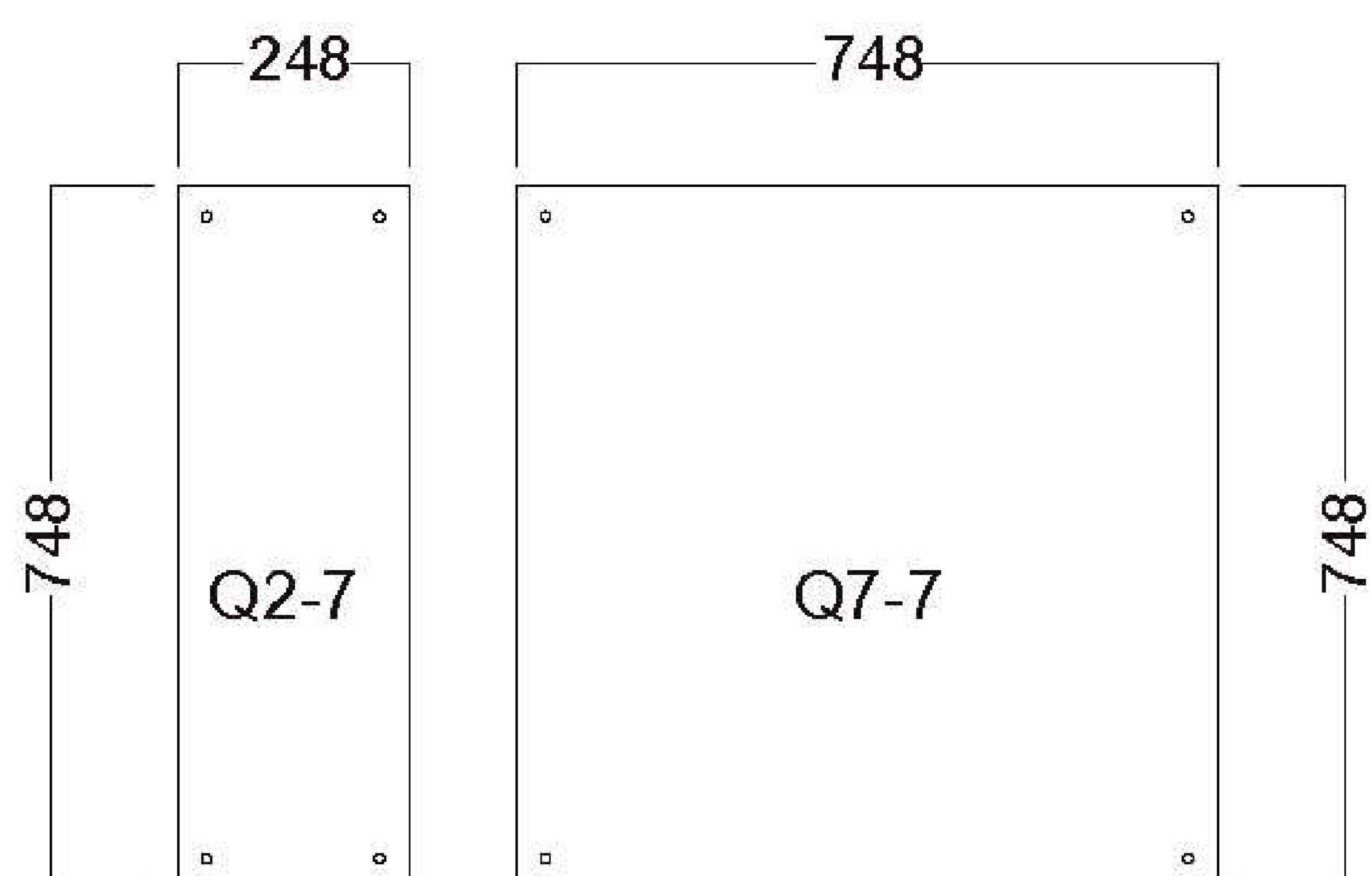
T-wave A

Podo International Corp.
Worldwide Solution

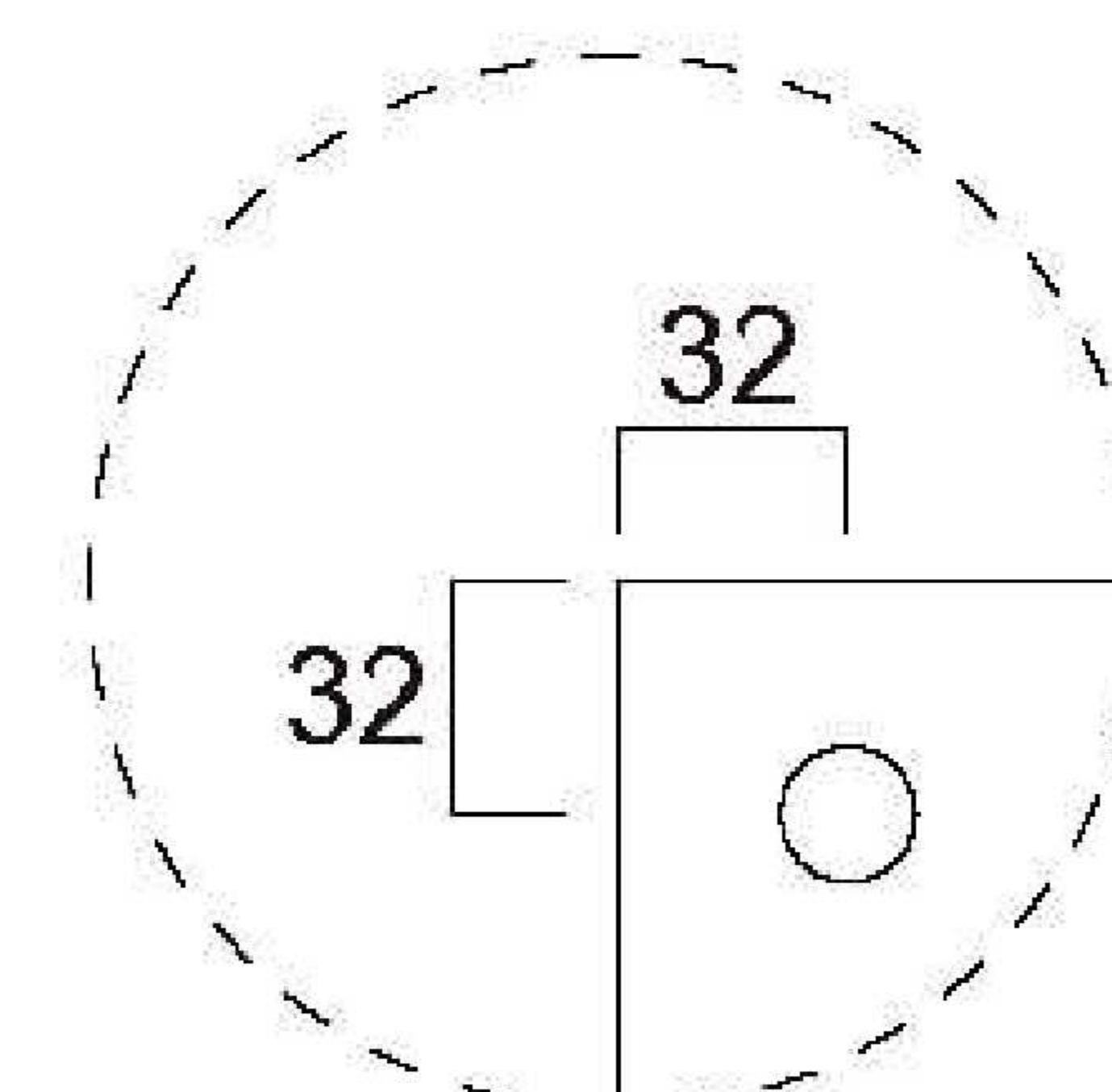
MATERIAL: ALLOY/A6061-T5
SURFACE FINISHING: BUFFING
SIZE: 750x750(h)x250mm
UNIT WEIGHT: 5.06kg



The size of the finishing materials



Thk 2~5mm

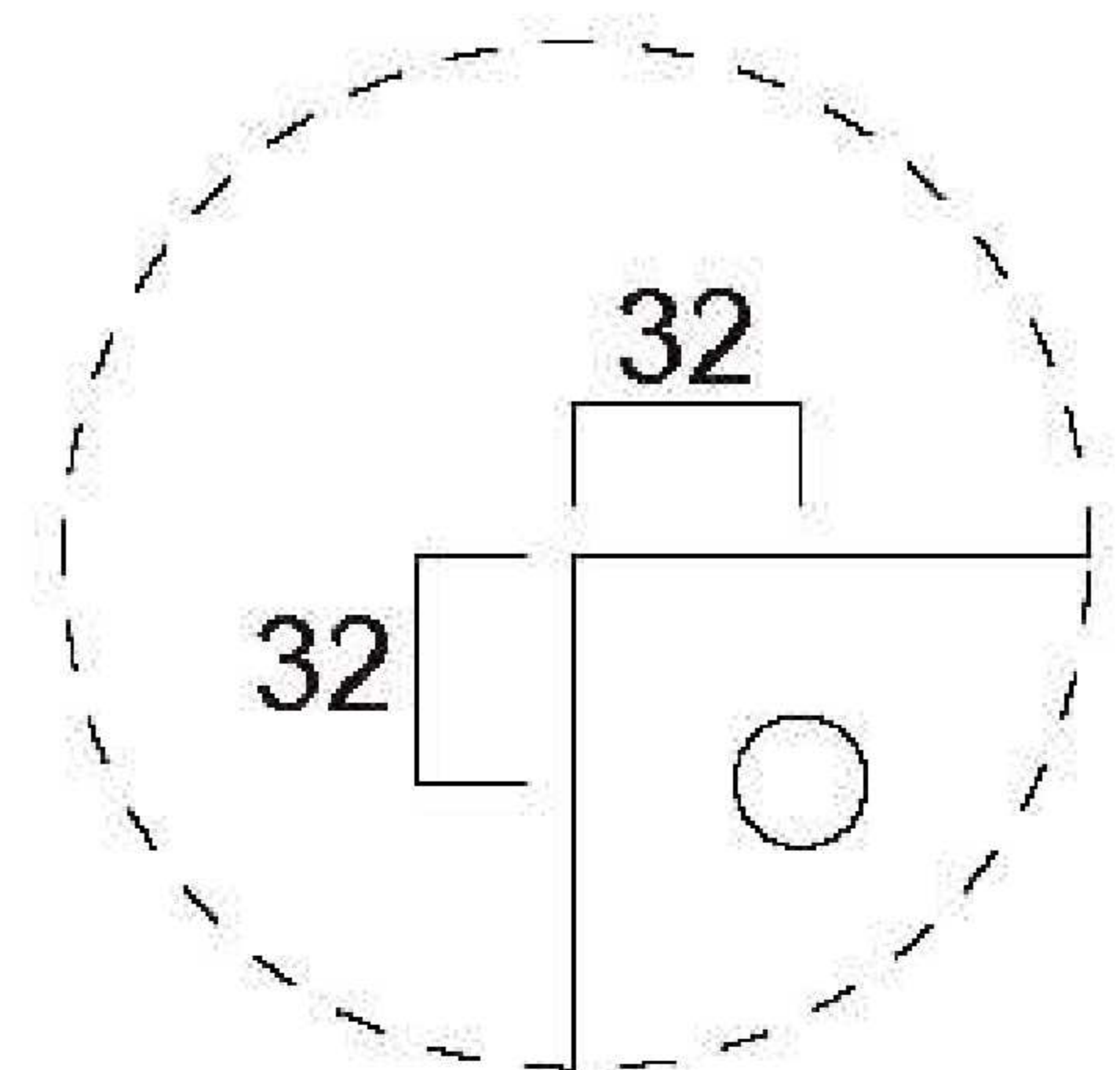
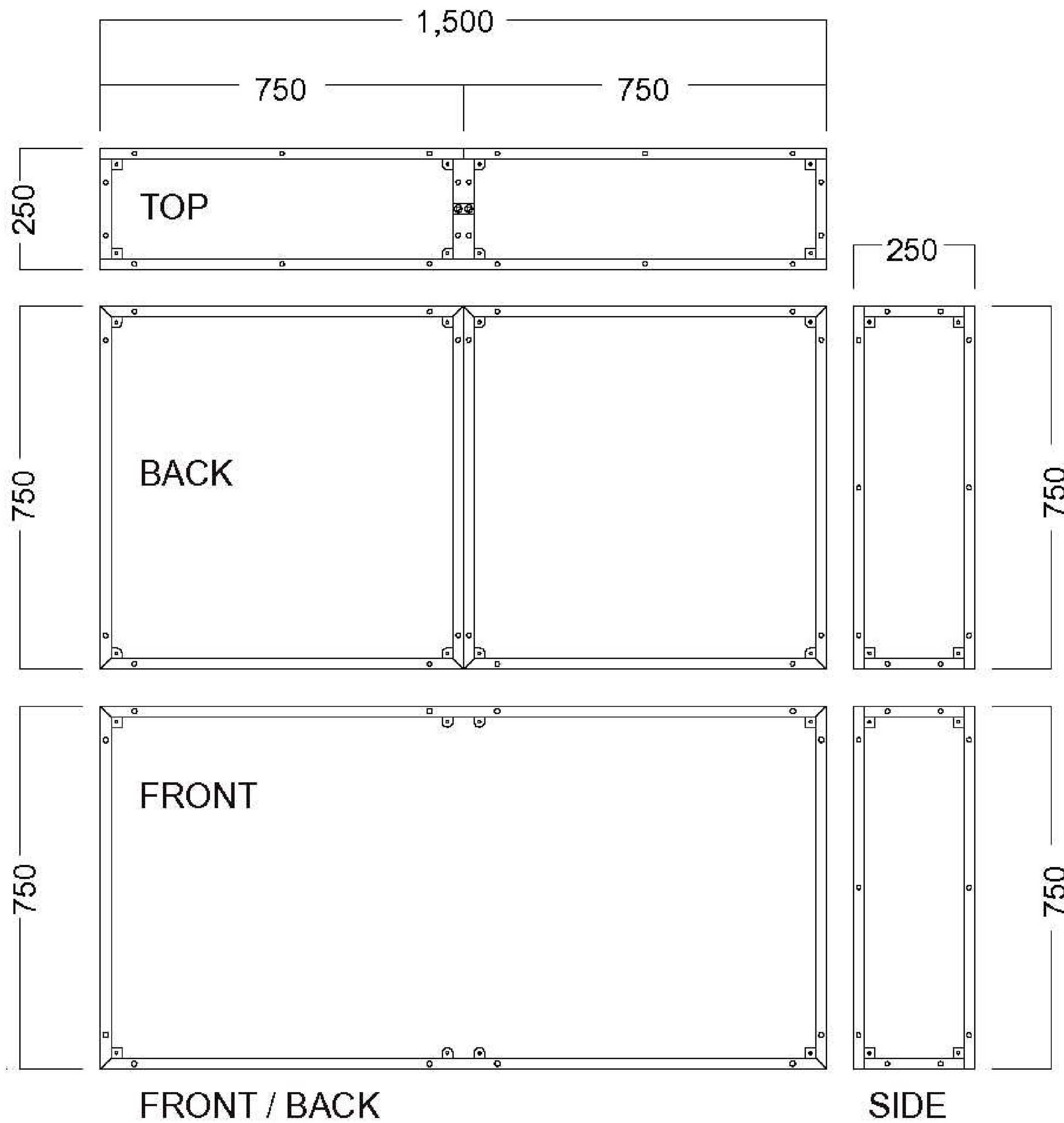
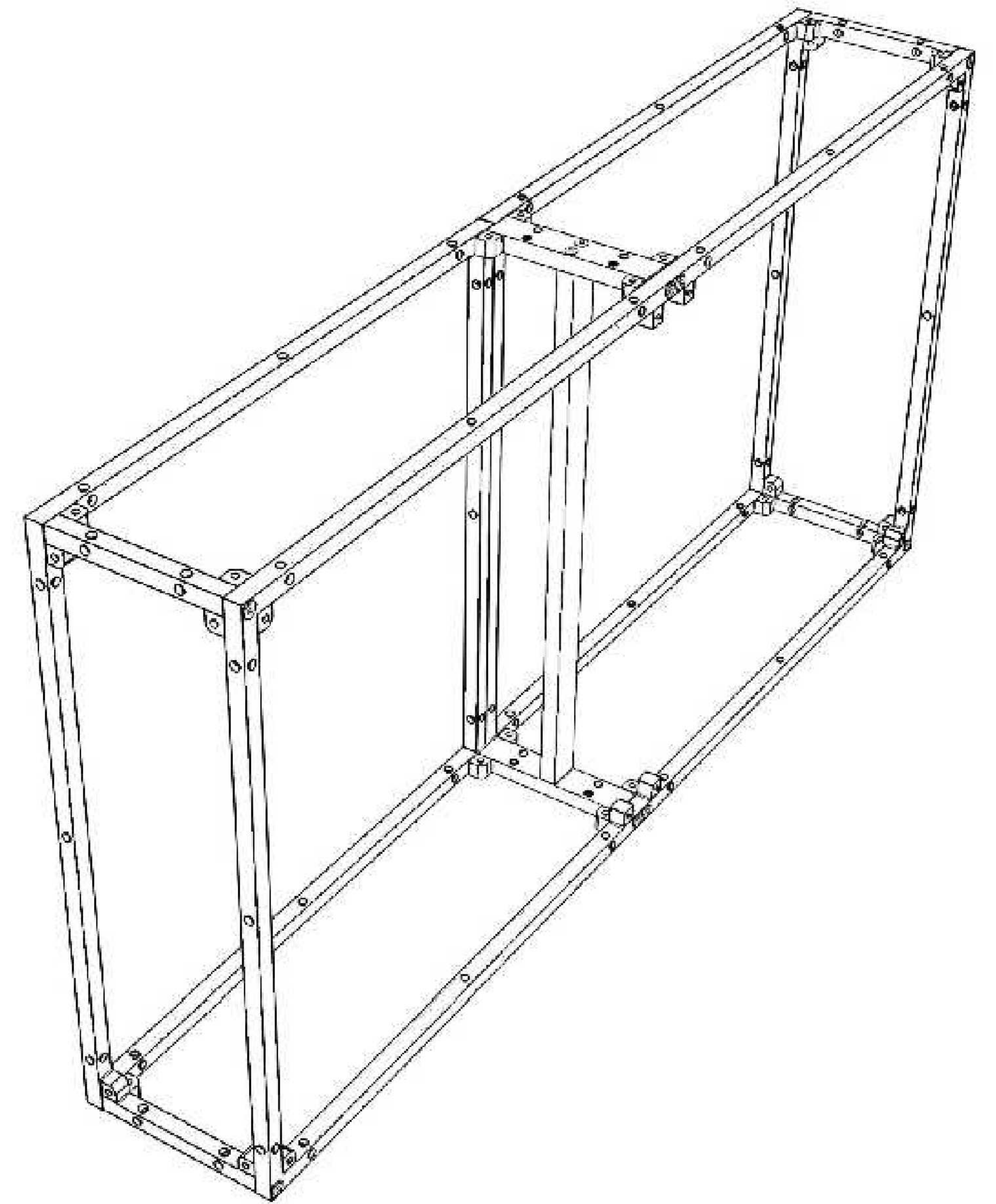


Standard Size
HOLE $\text{Ø}11$

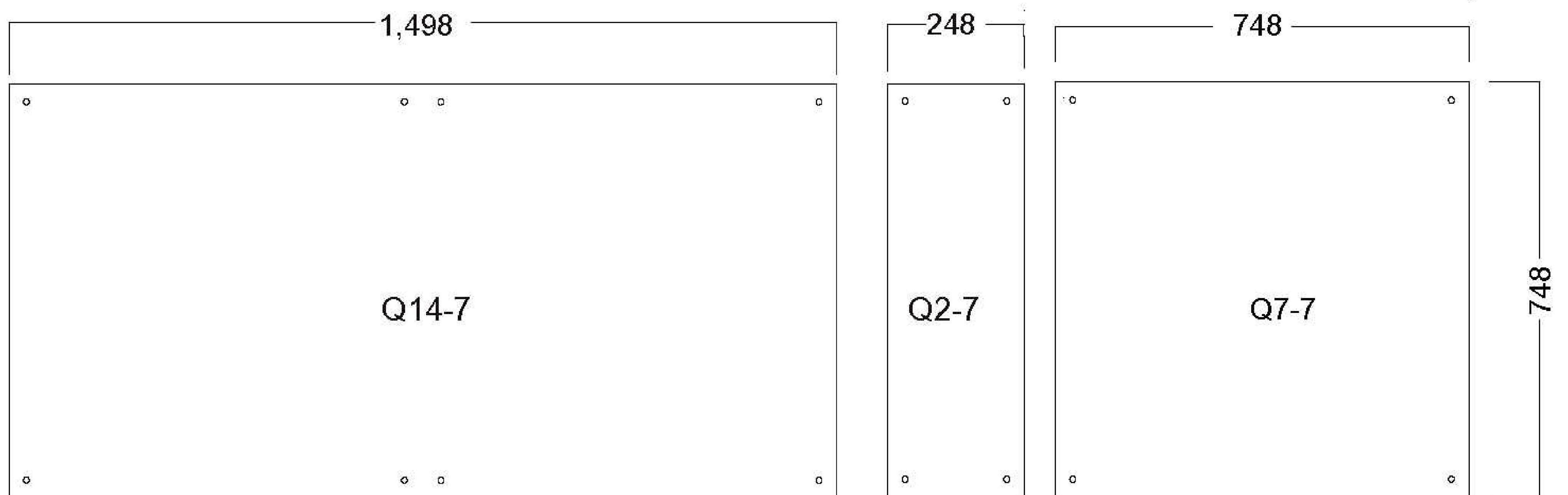
T-wave A1500

Podo International Corp.
Worldwide Solution

MATERIAL: ALLOY/A6061-T5
SURFACE FINISHING: BUFFING
SIZE: 1500x750(h)x250mm
UNIT WEIGHT: 9.84kg



The size of the finishing materials

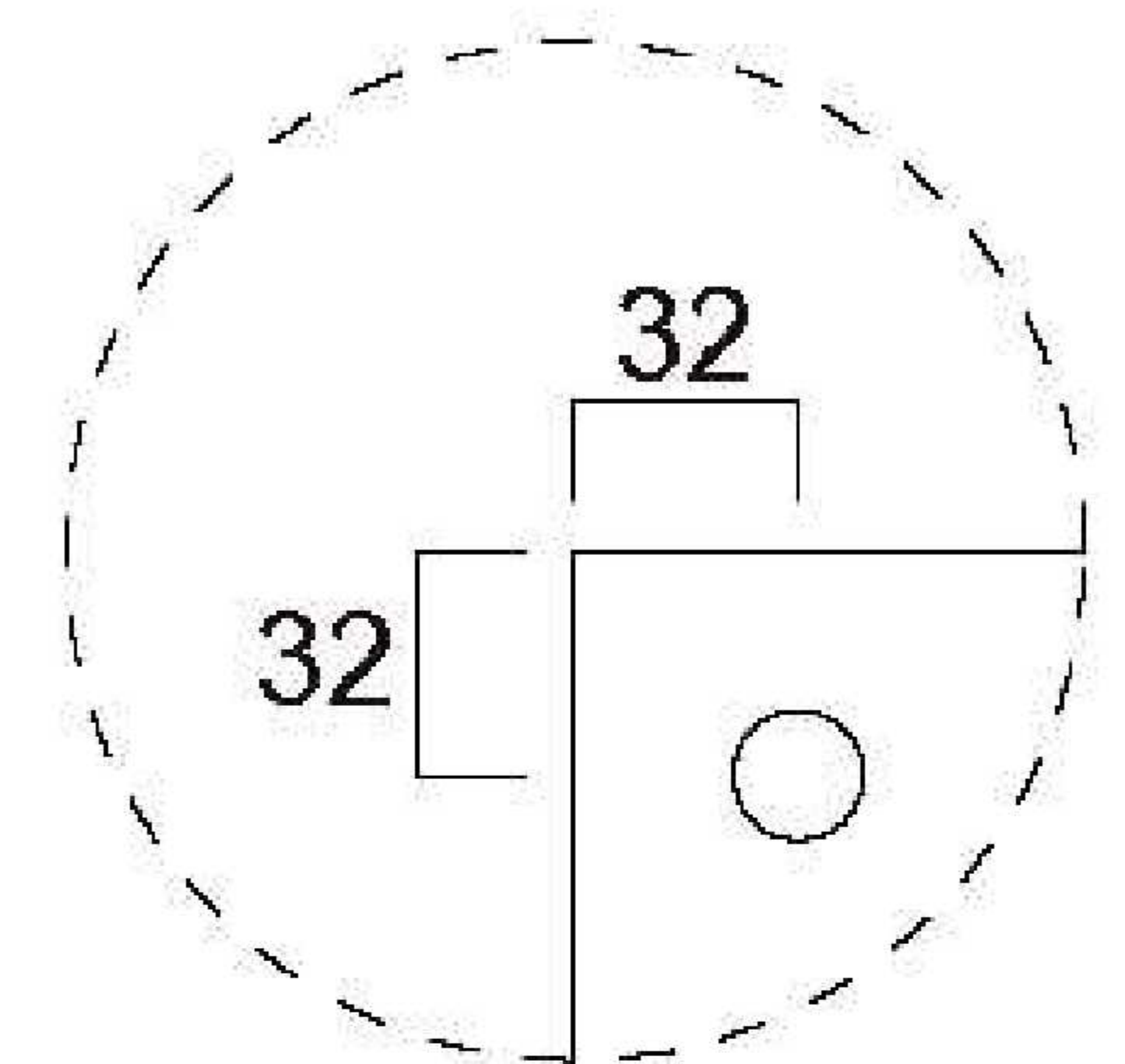
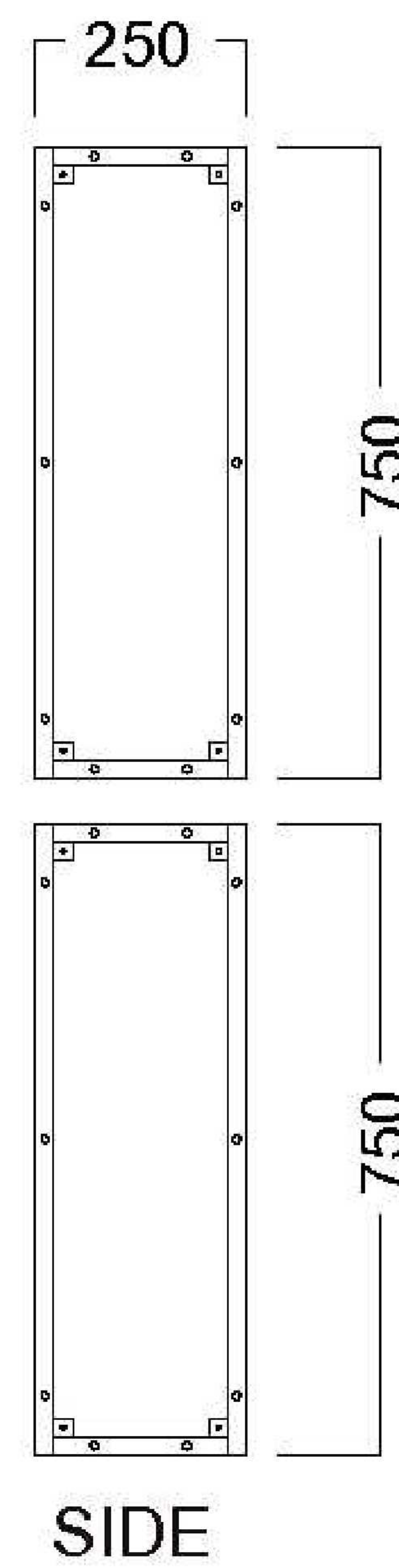
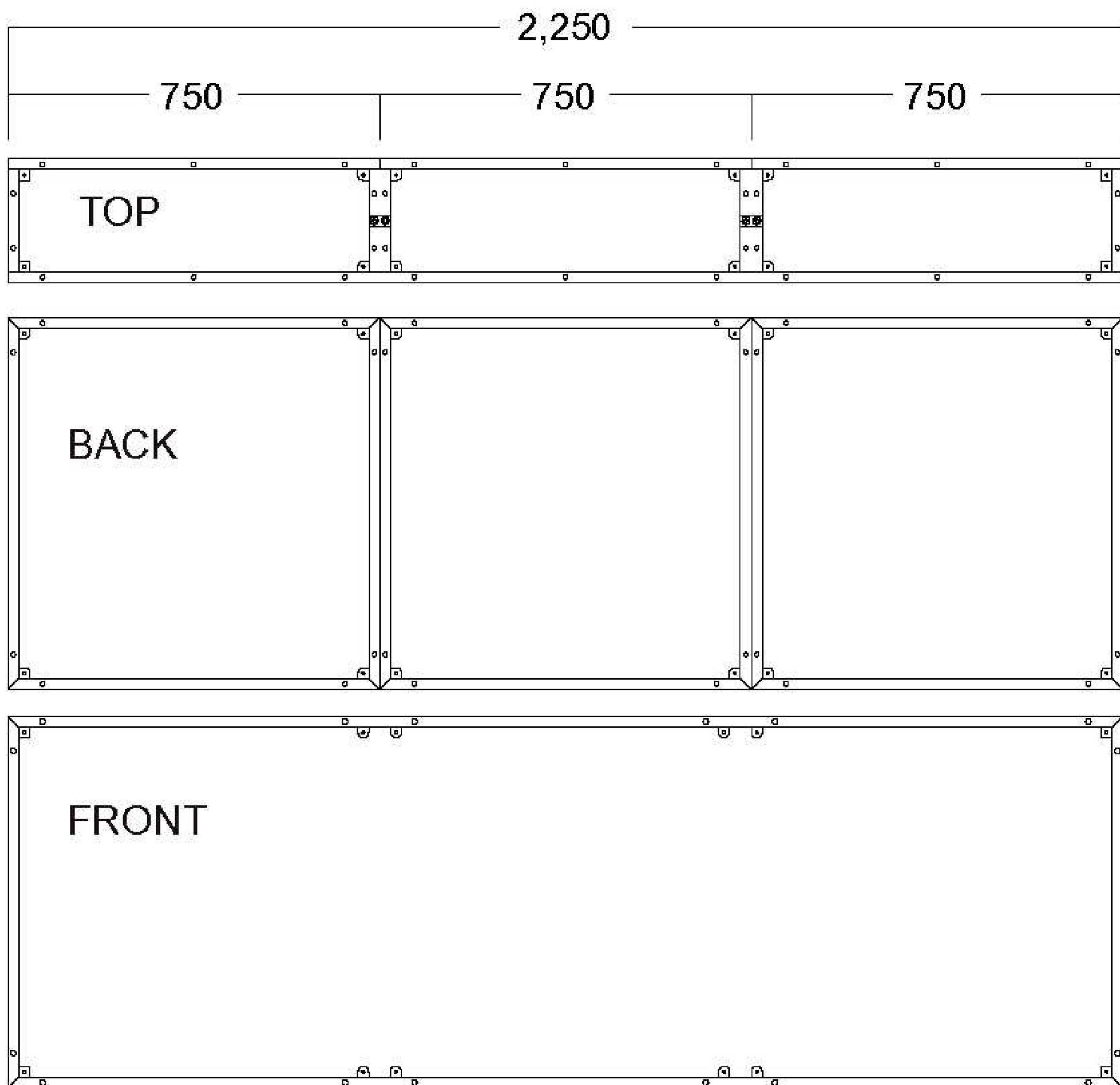
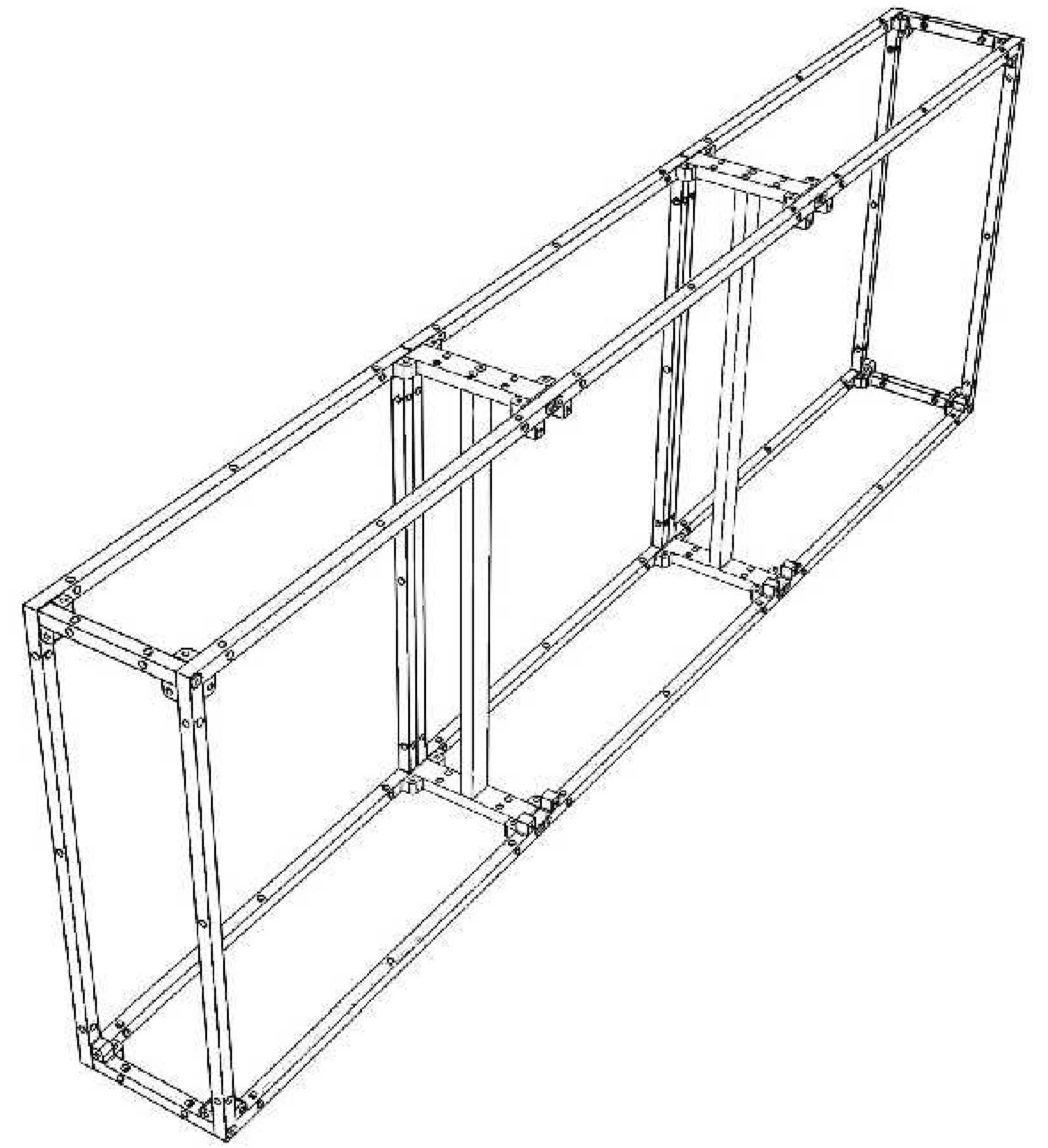


Thk 2~5mm

T-wave A2250

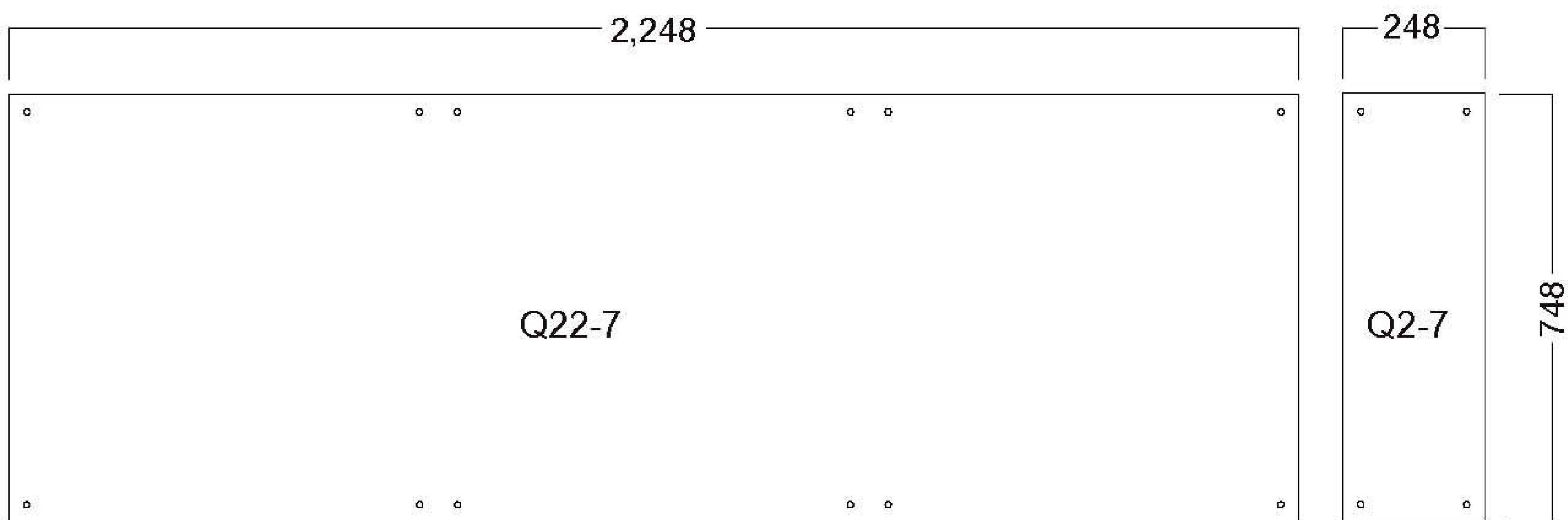
Podo International Corp.
Worldwide Solution

MATERIAL: ALLOY/A6061-T5
SURFACE FINISHING: BUFFING
SIZE: 2250x750(h)x250mm
UNIT WEIGHT: 13.2kg



Standard Size
HOLE $\varnothing 11$

The size of the finishing materials

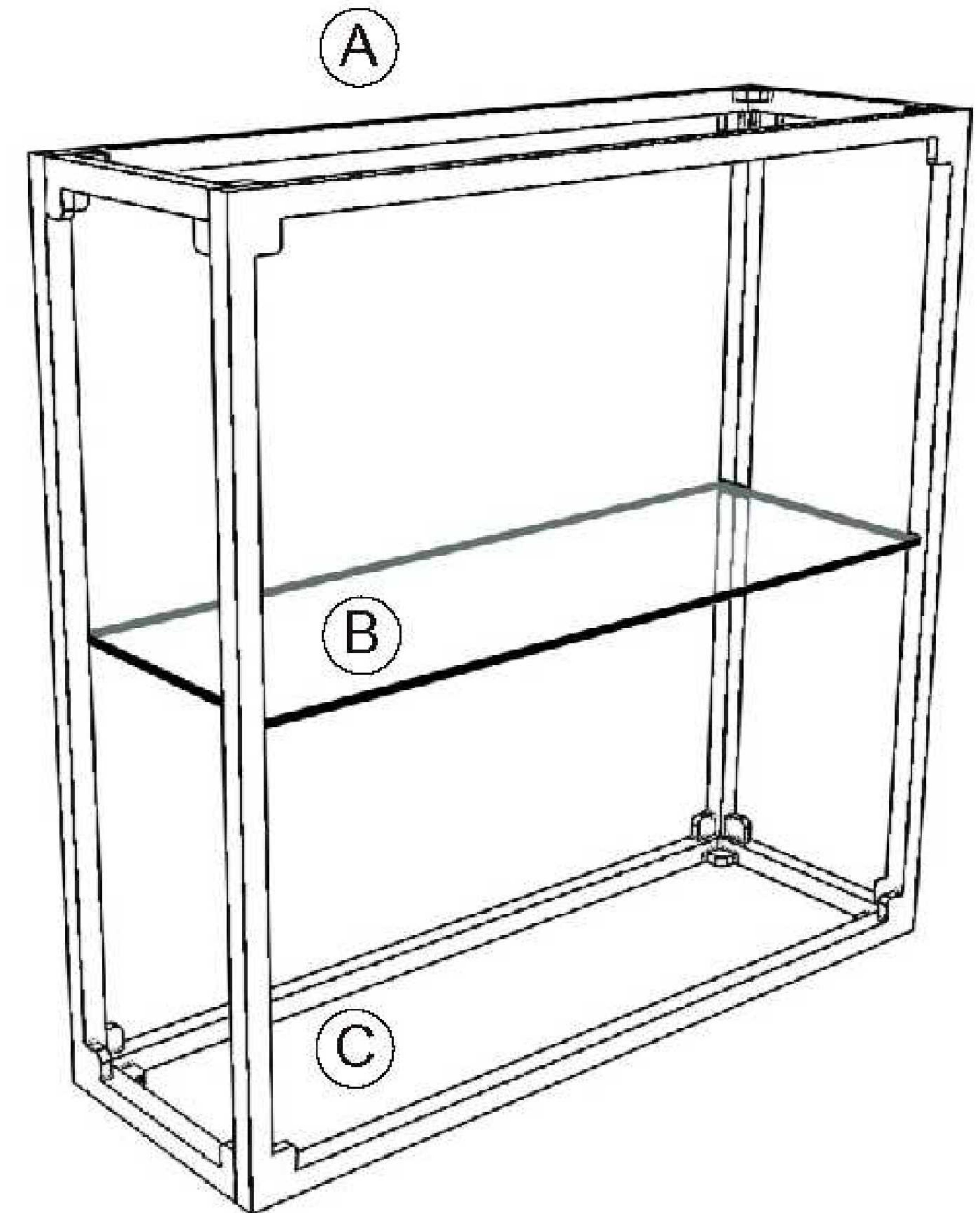
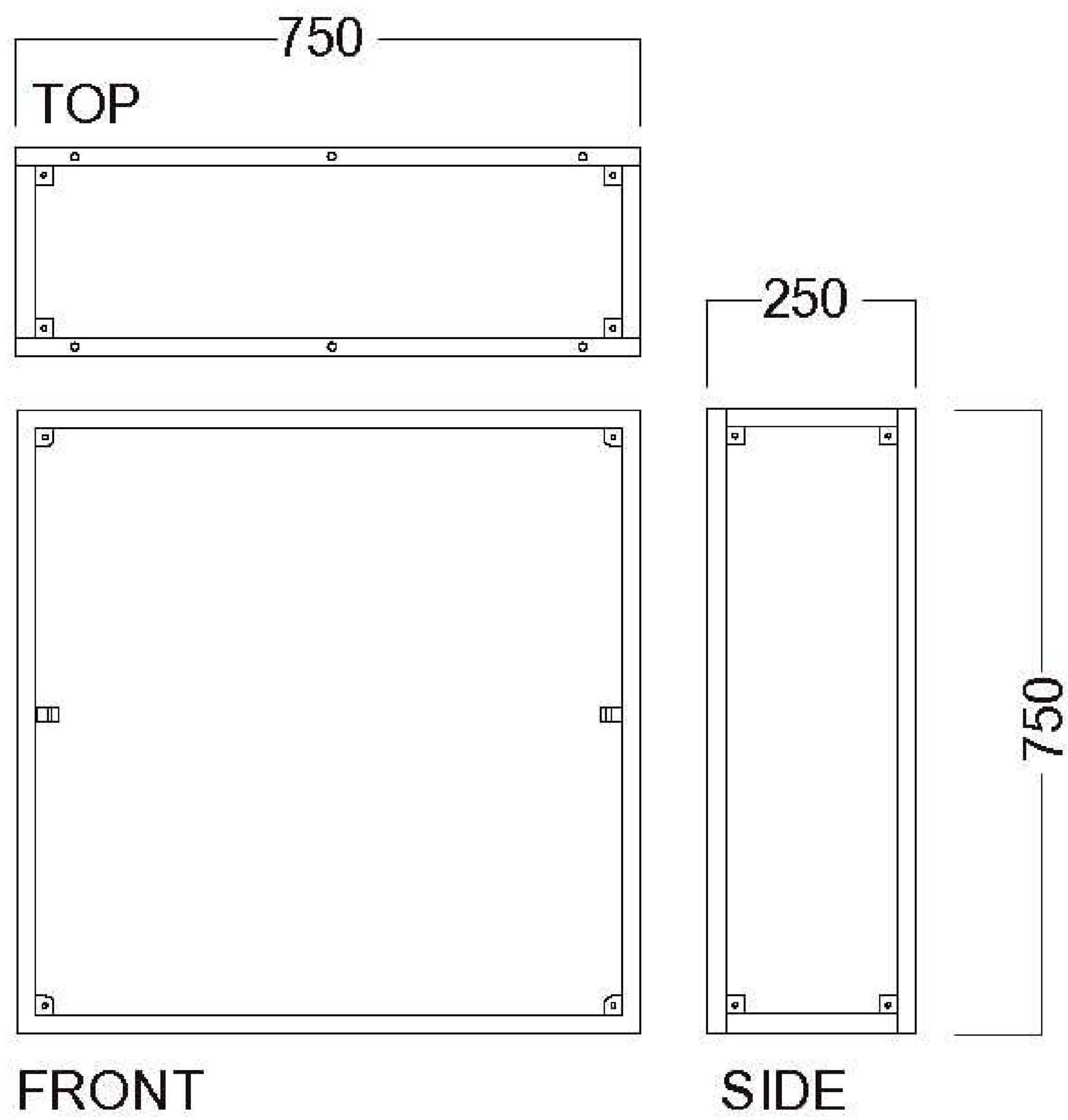


Thk 2~5mm

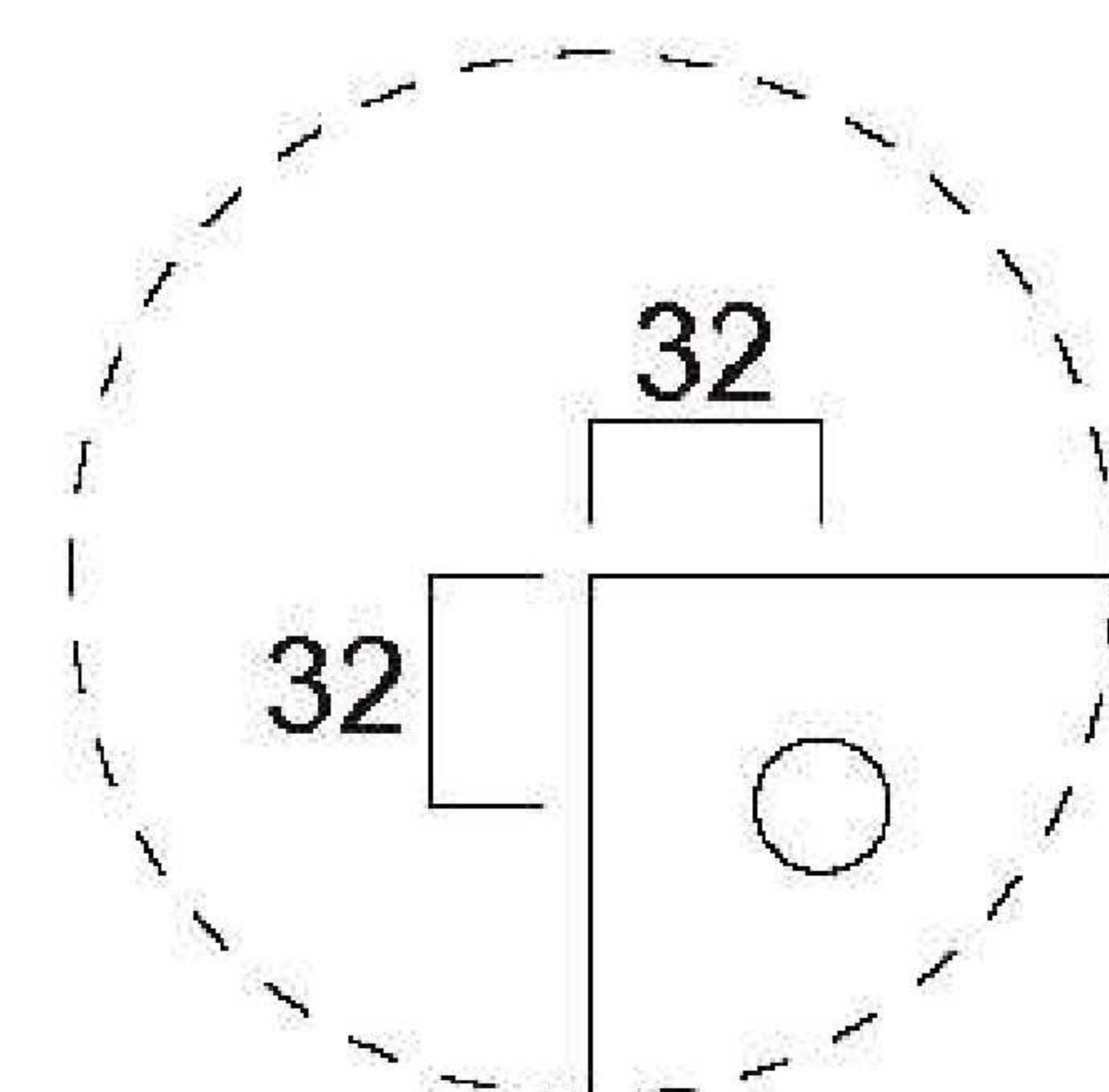
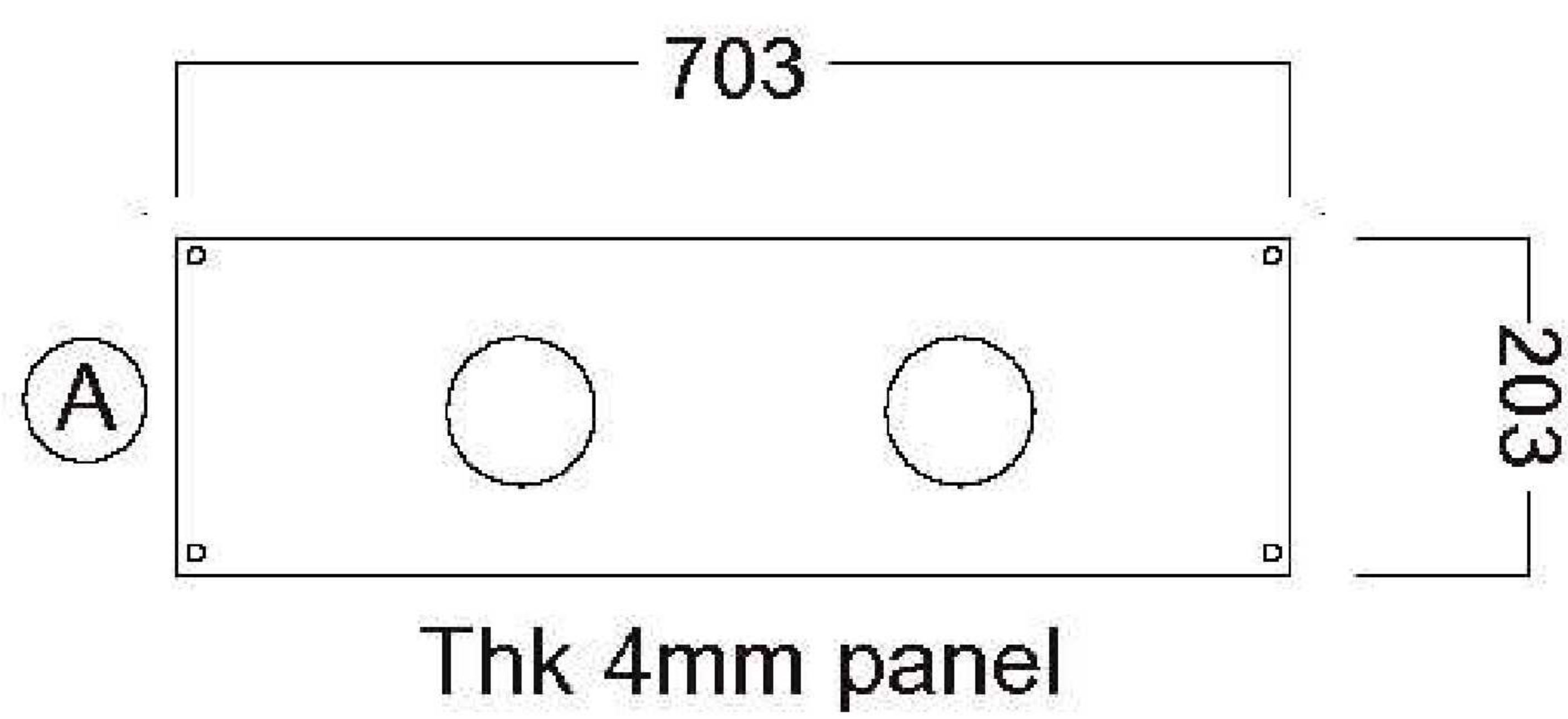
T-wave A GLASS

Podo International Corp.
Worldwide Solution

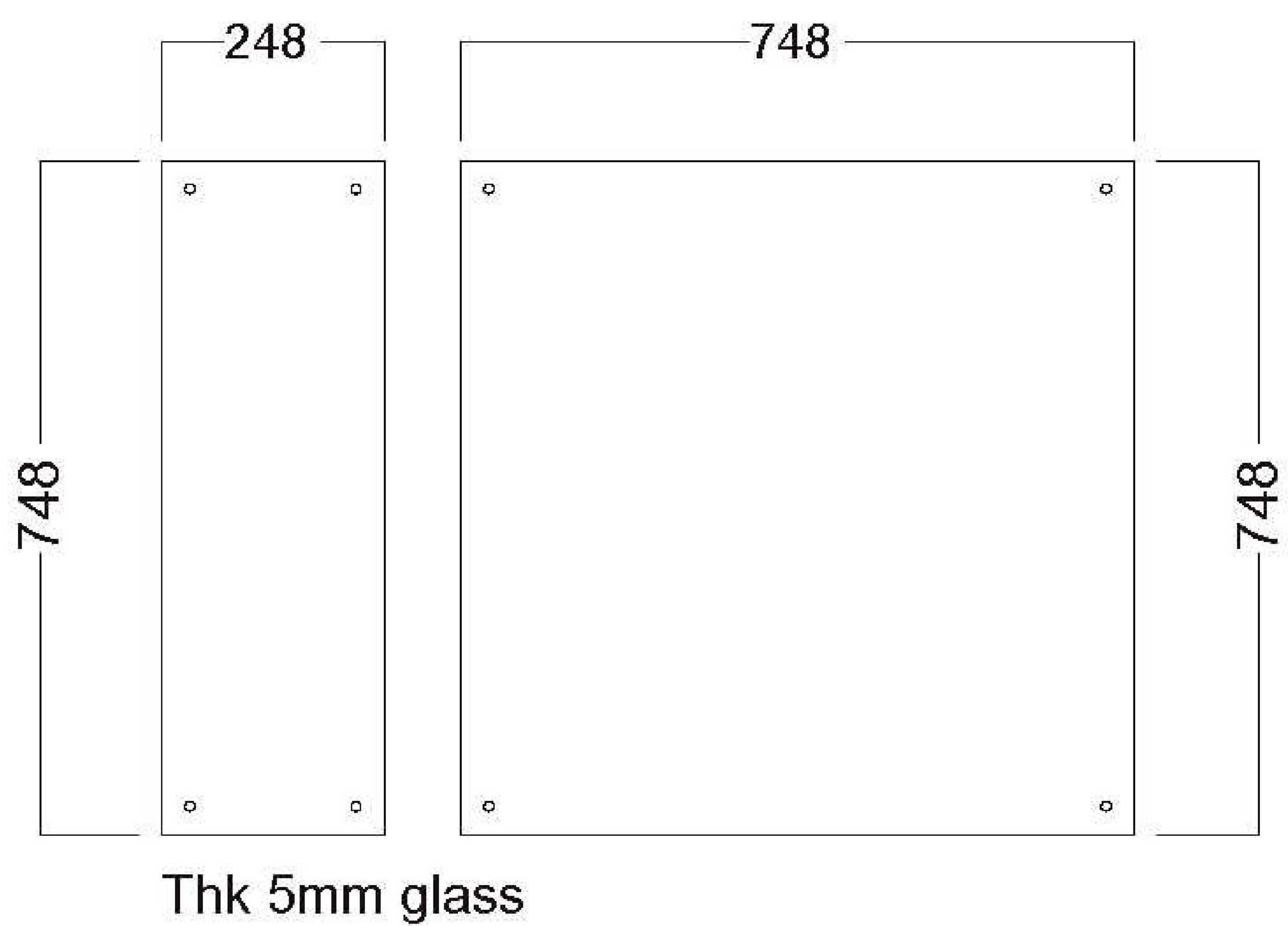
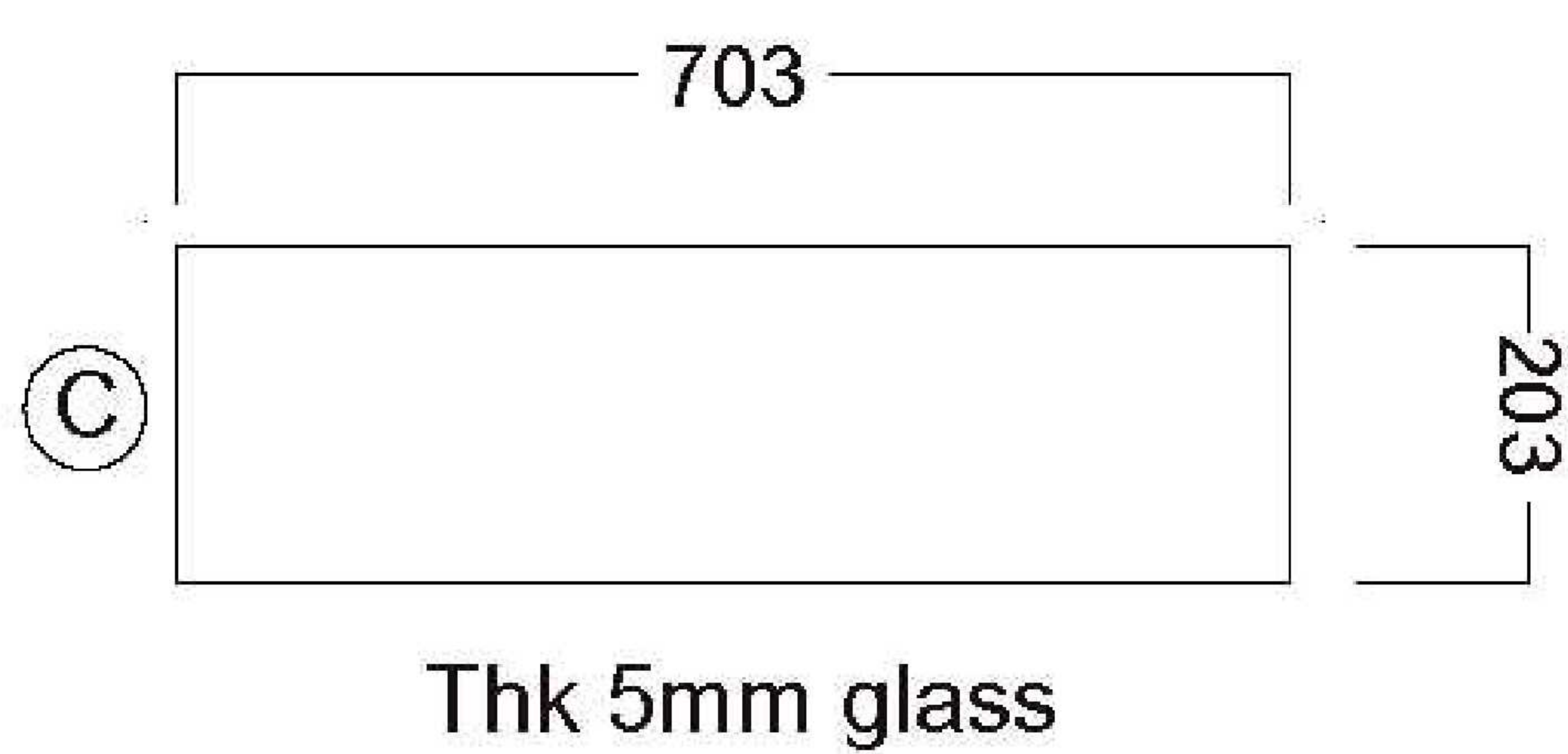
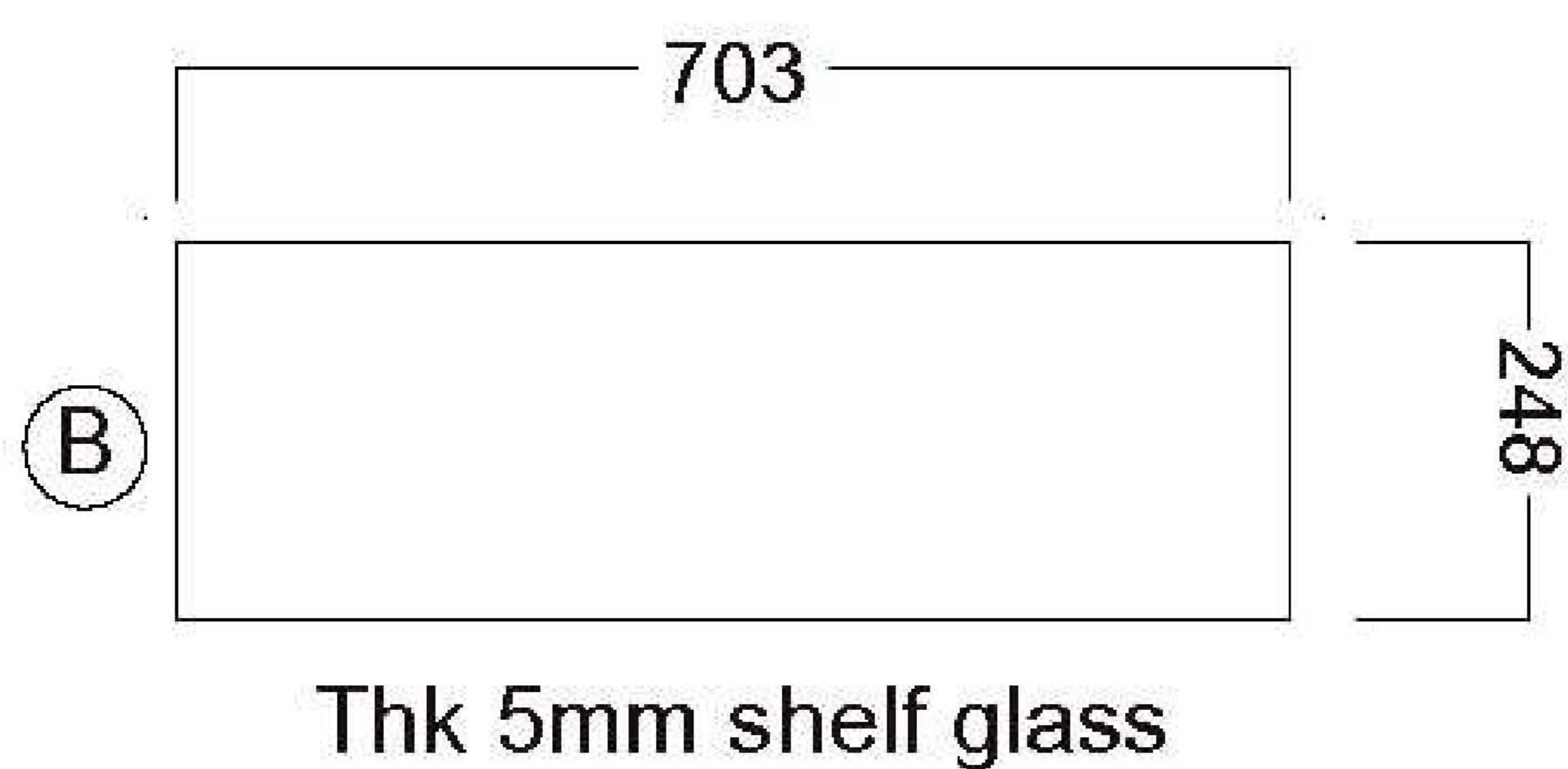
MATERIAL: ALLOY/A6061-T5
SURFACE FINISHING: BUFFING
SIZE: 750x750(h)x250mm
UNIT WEIGHT: 5.02kg



Finishing Materials Size



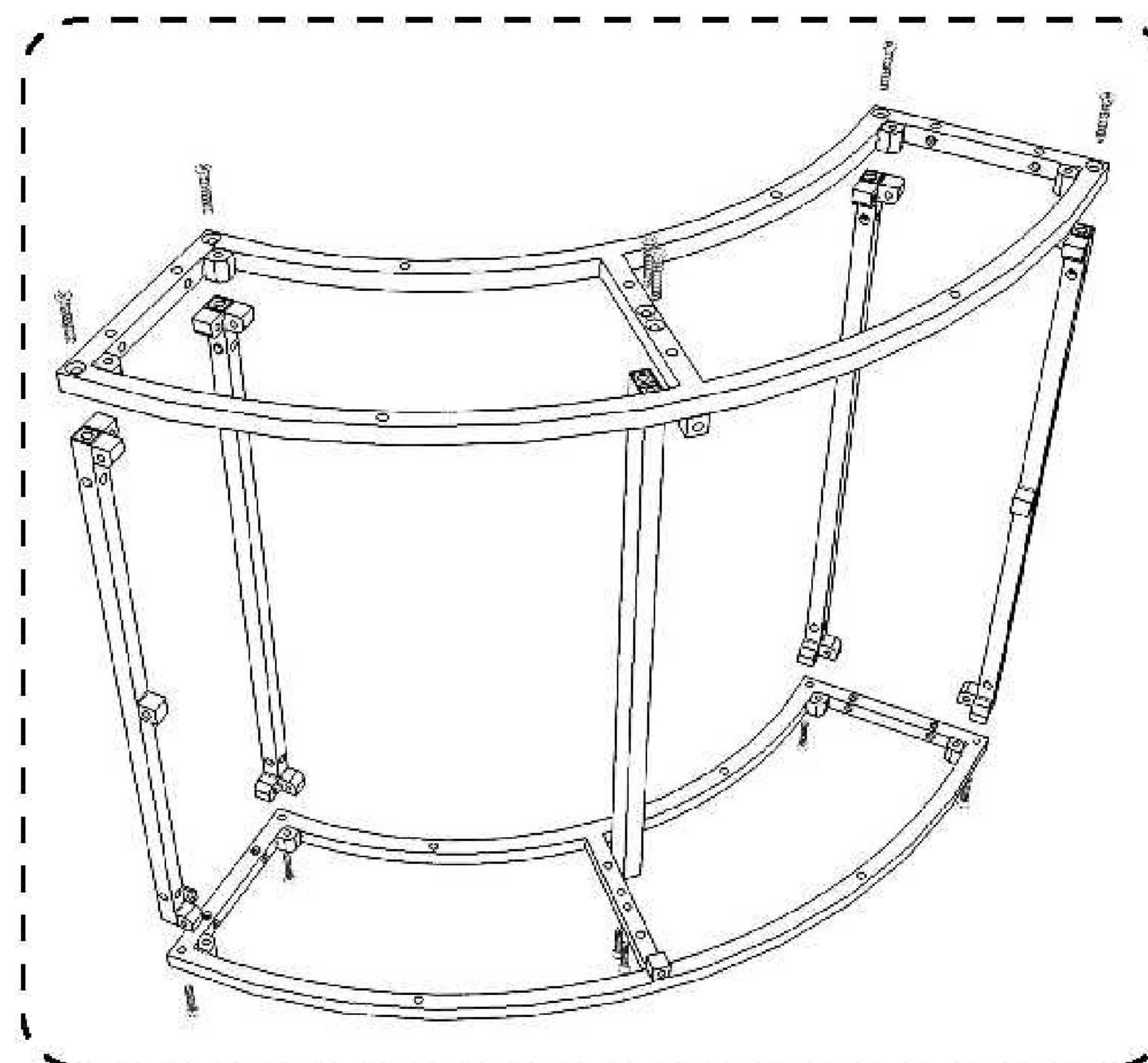
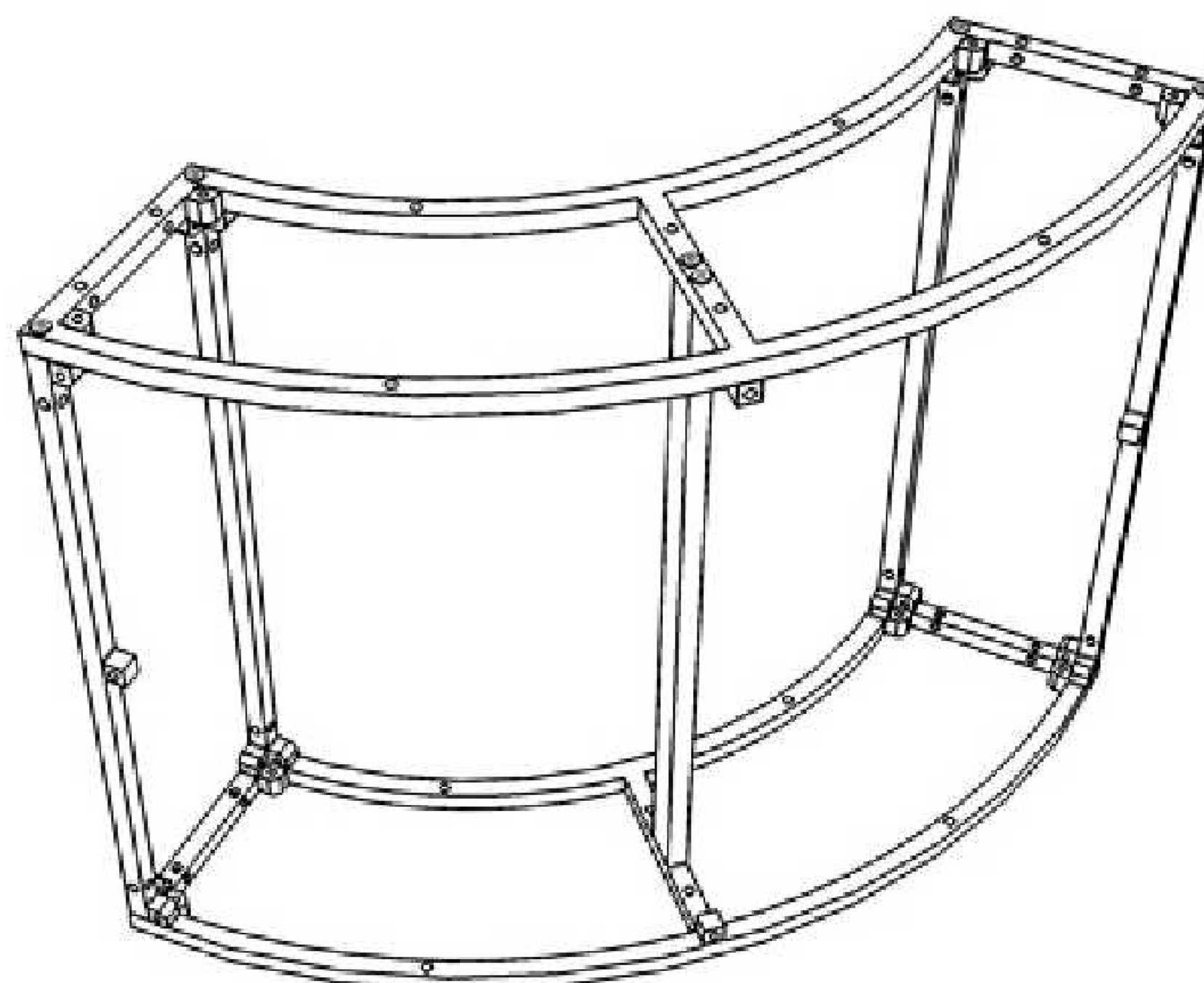
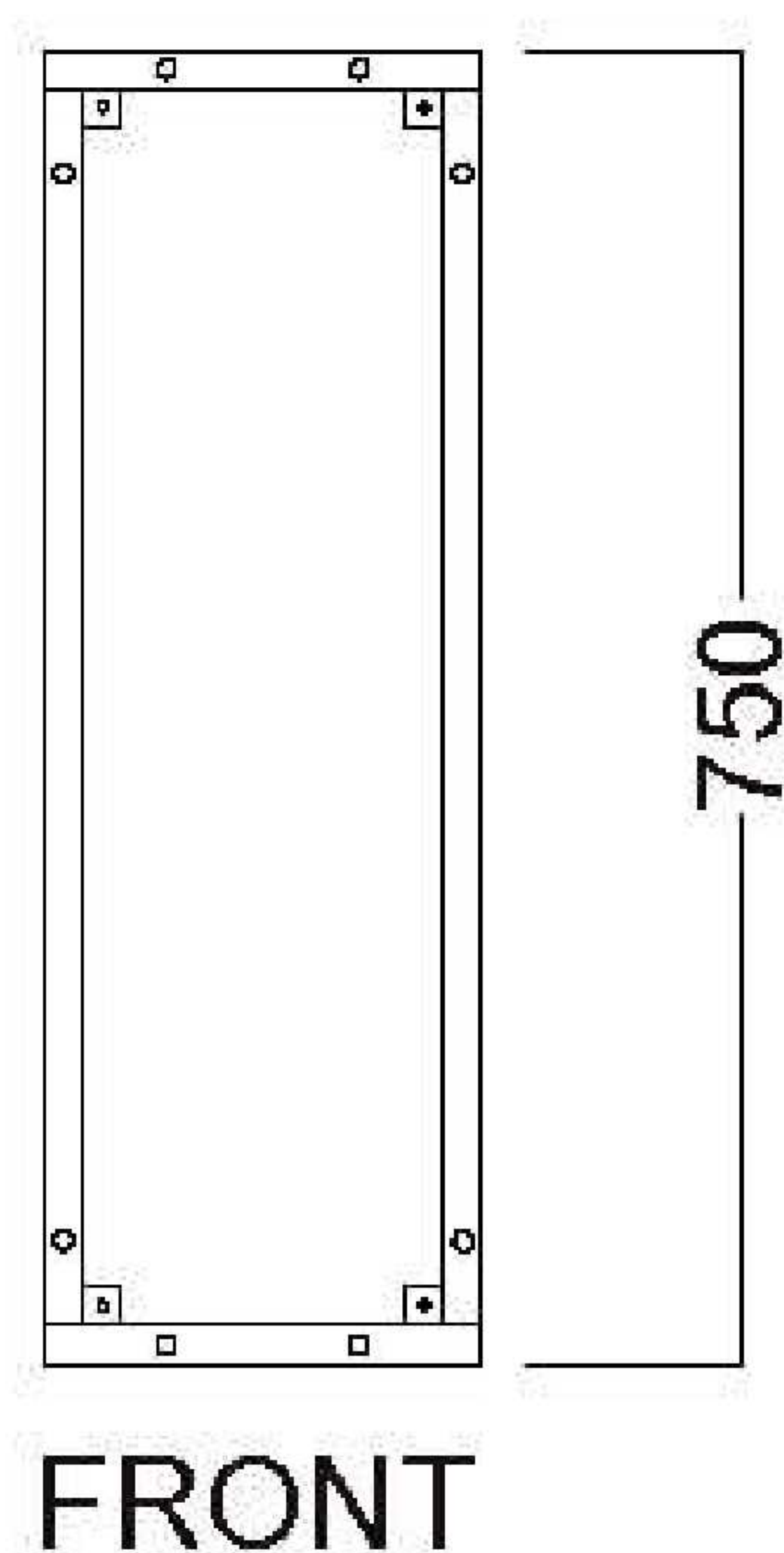
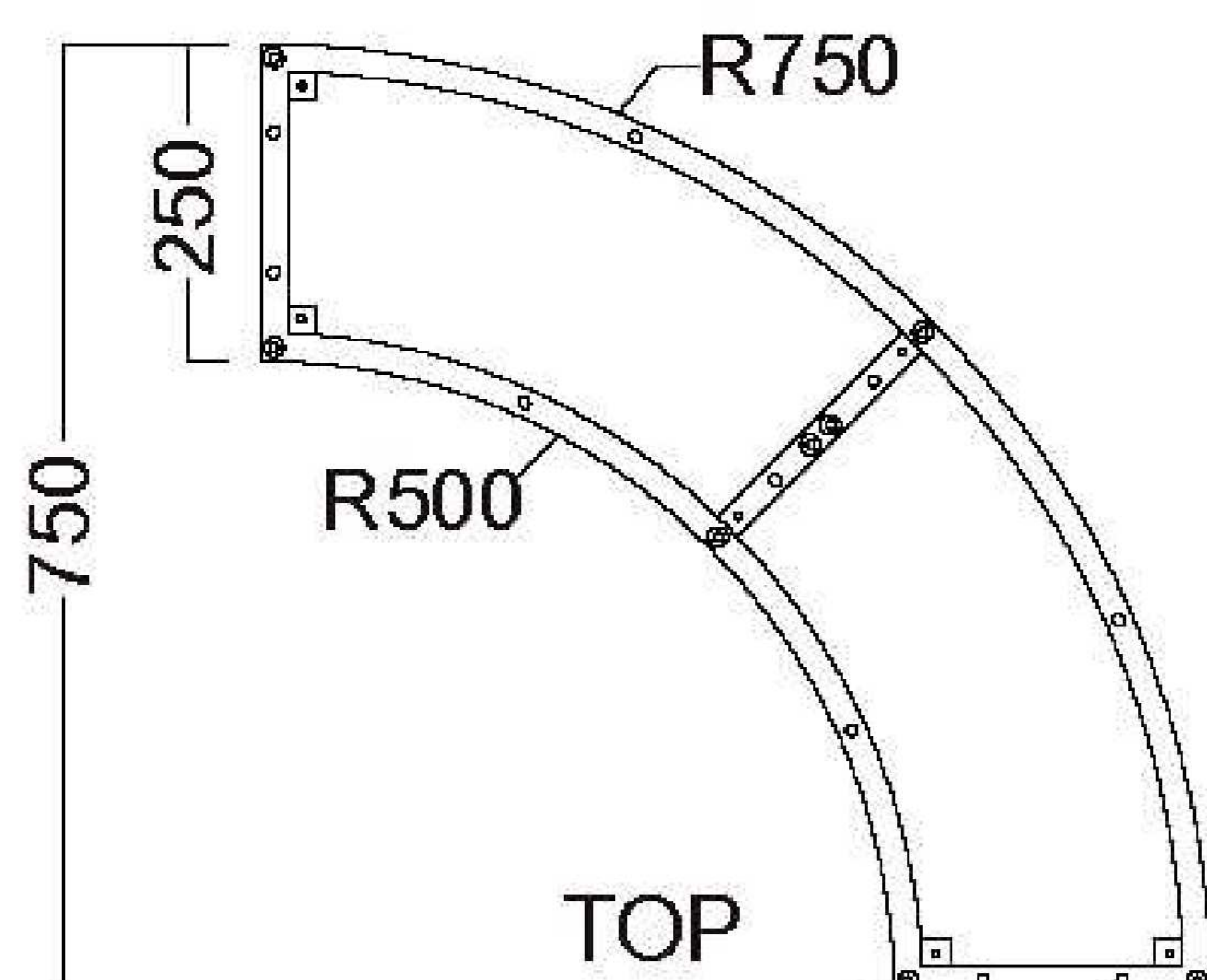
Standard Size
HOLE Ø11



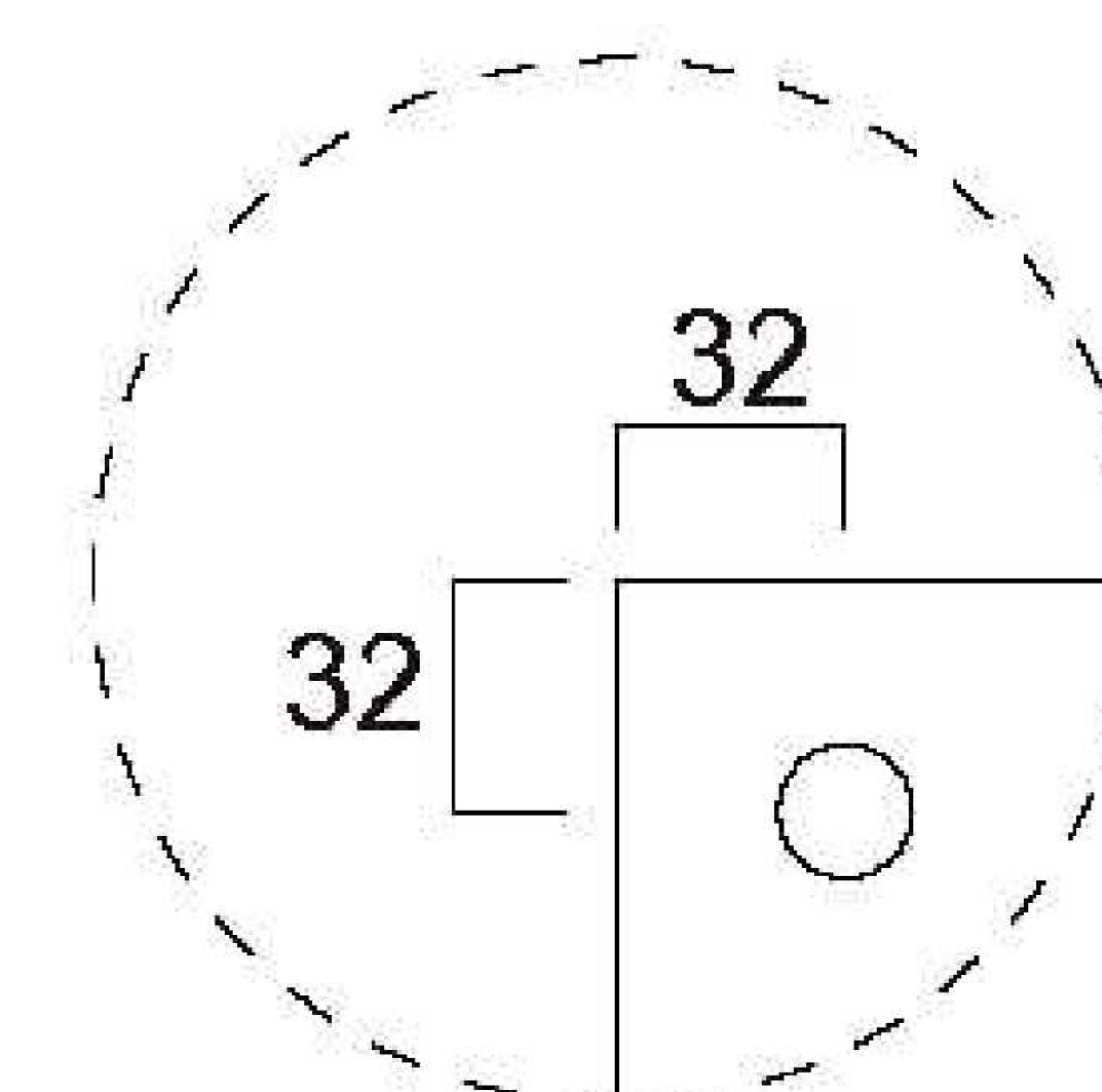
T-wave B750

Podo International Corp.
Worldwide Solution

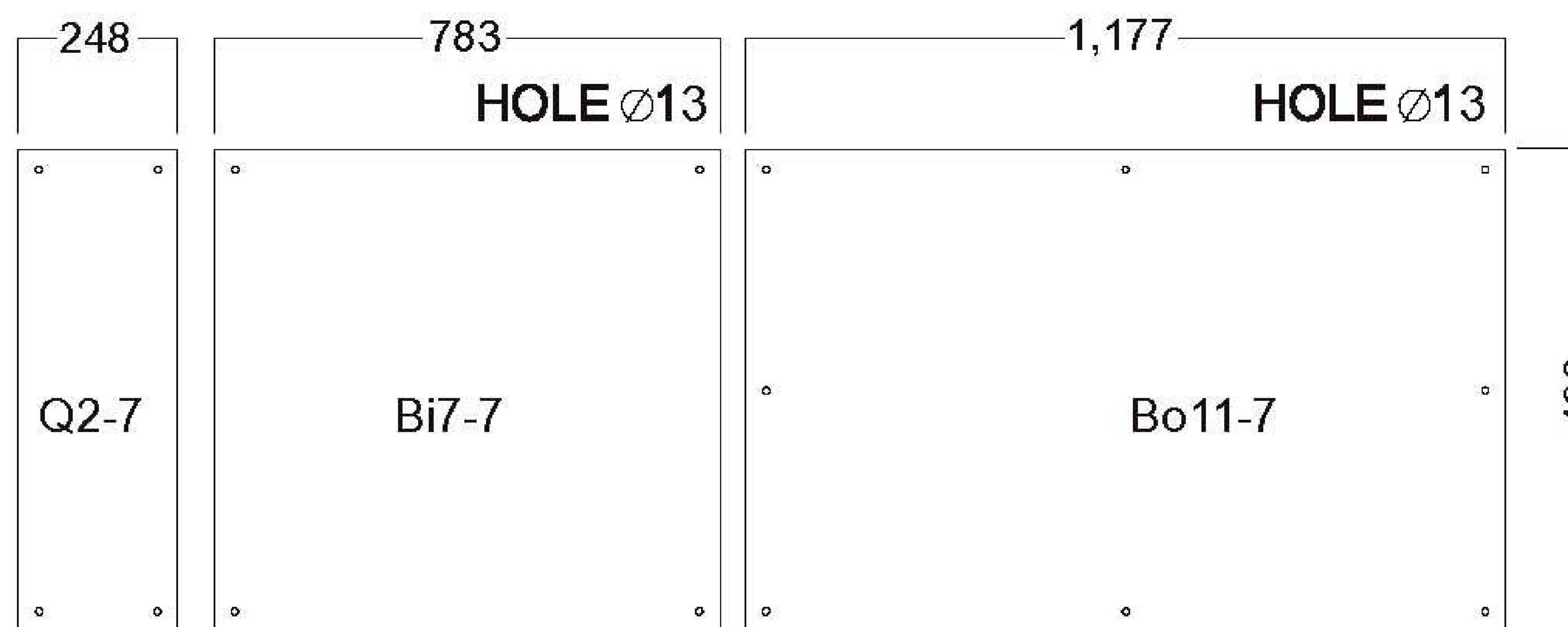
MATERIAL: ALLOY/A6061-T5
SURFACE FINISHING: BUFFING
SIZE: R750x750(h)x250mm
UNIT WEIGHT: 6.92kg



The size of the finishing materials



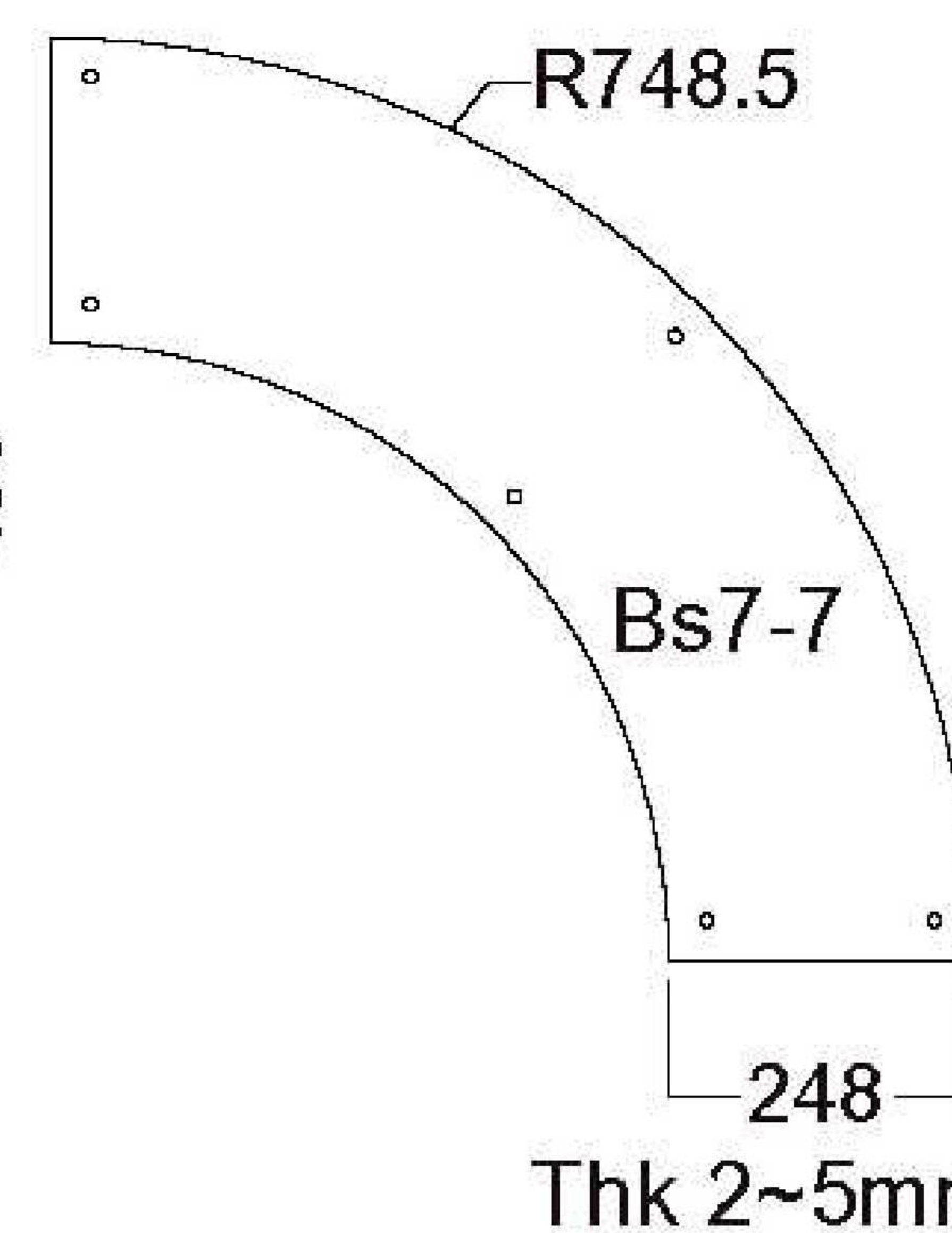
Standard Size
HOLE Ø11



Thk 2~5

Thk 2~5mm(Bending)
INSIDE-unfold

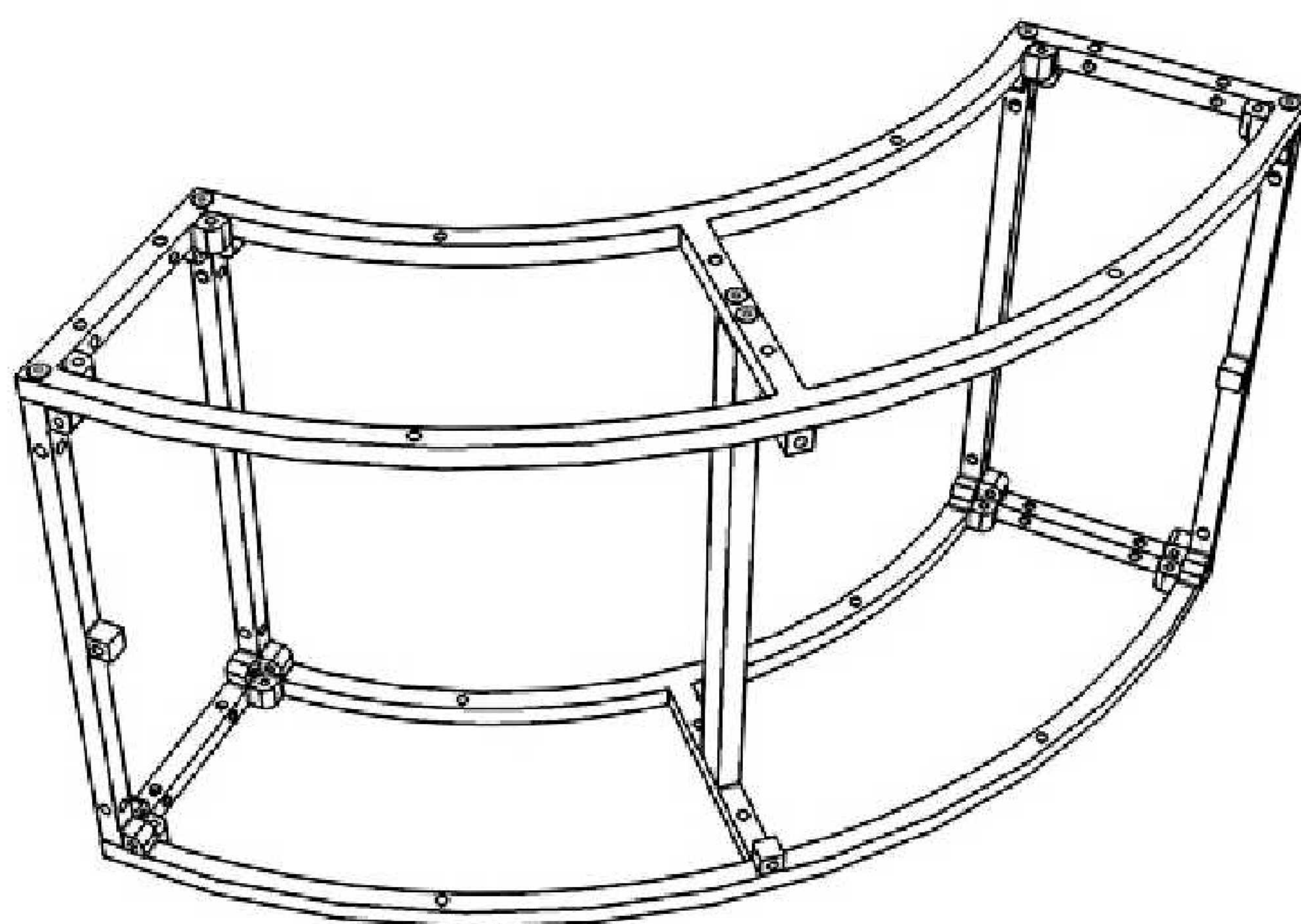
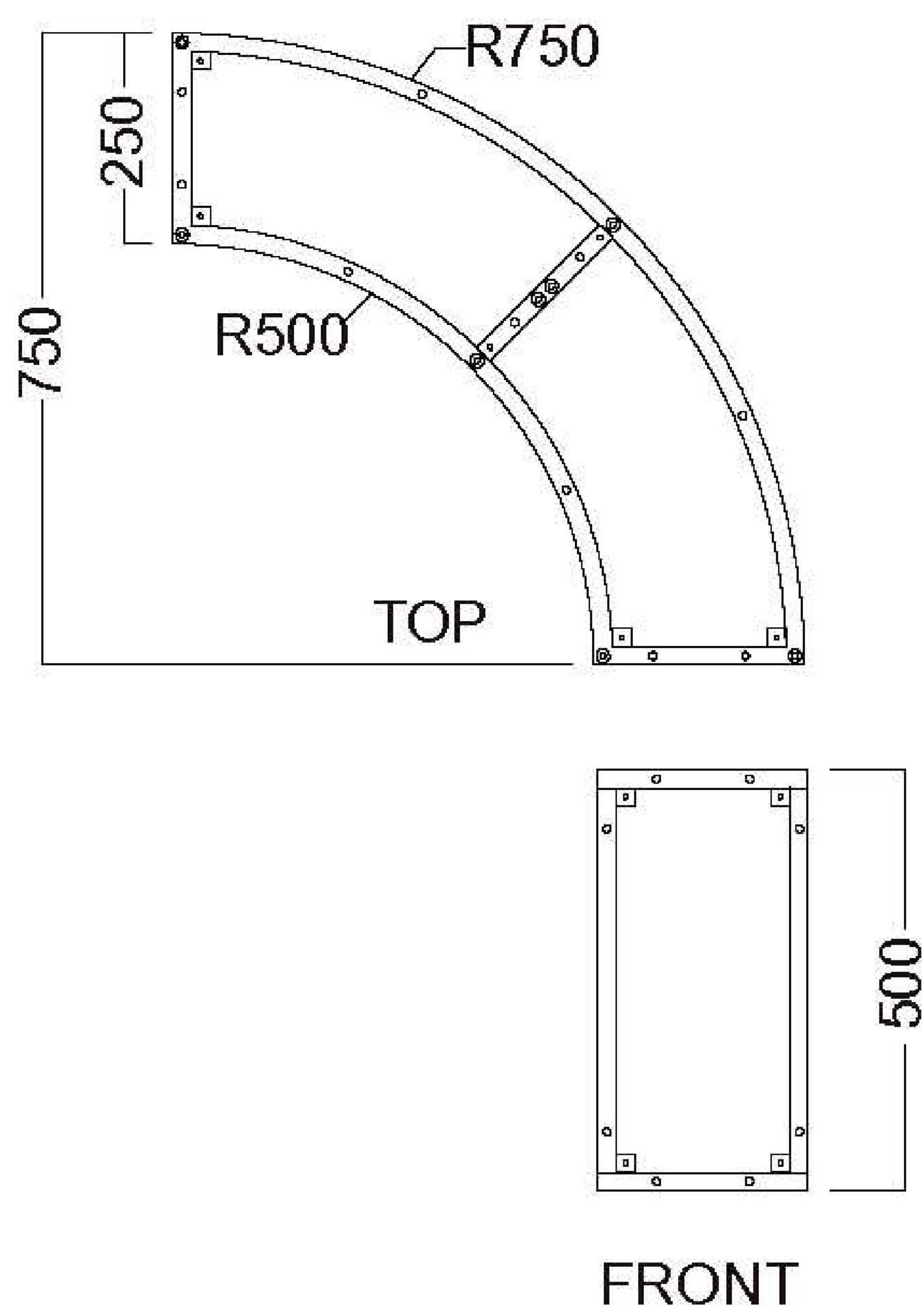
Thk 2~5mm(Bending)
OUTSIDE-unfold



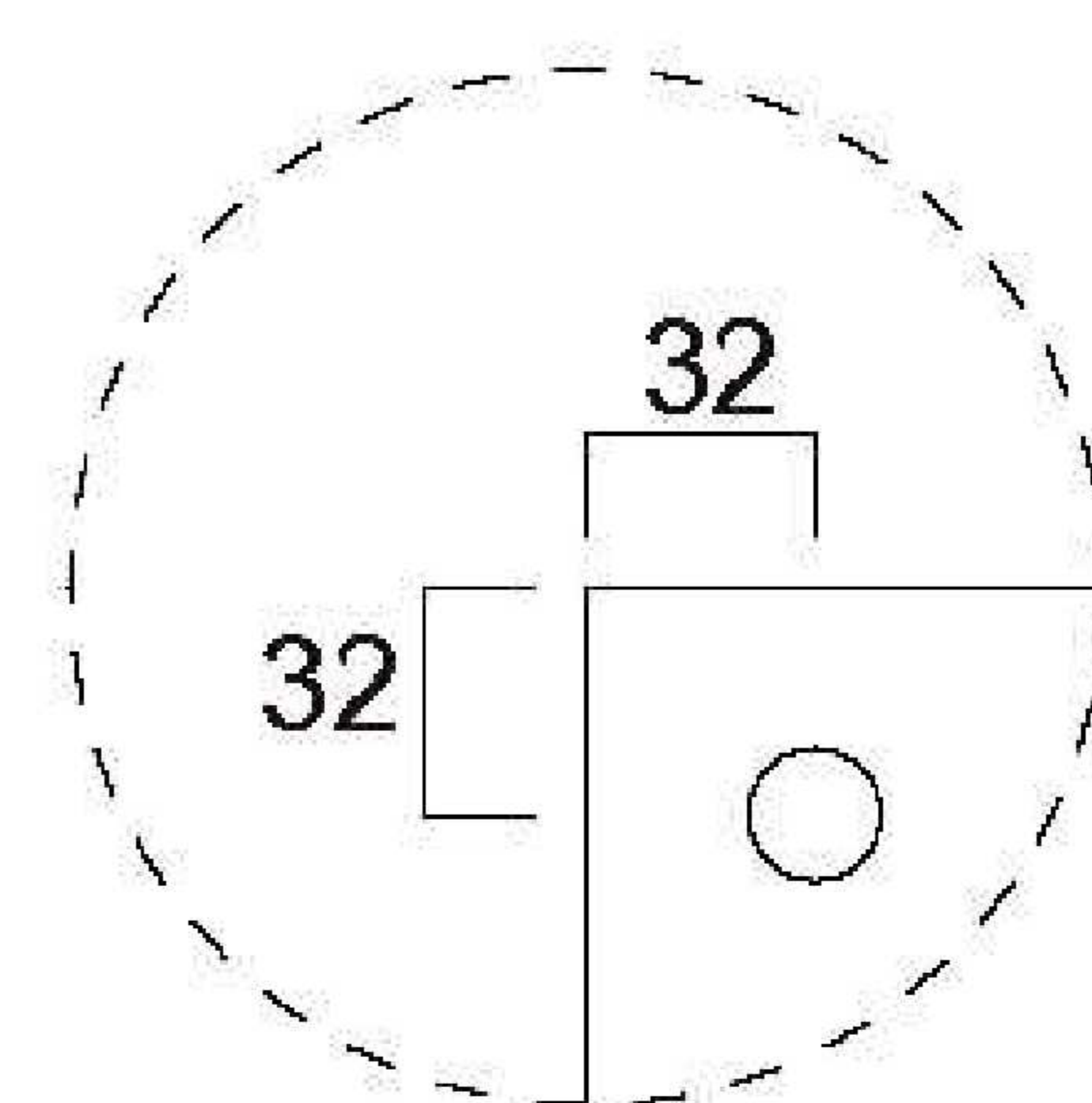
T-wave B500

Podo International Corp.
Worldwide Solution

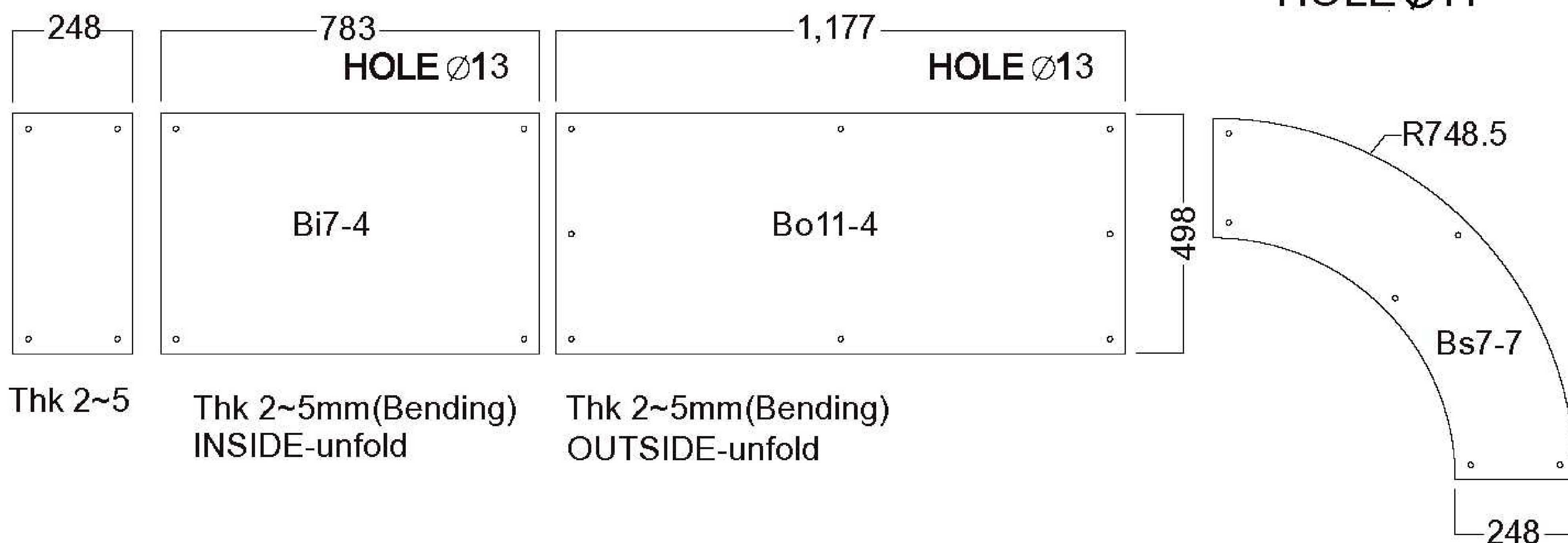
MATERIAL: ALLOY/A6061-T5
SURFACE FINISHING: BUFFING
SIZE: R750x500(h)x250mm
UNIT WEIGHT: 6.04kg



The size of the finishing materials



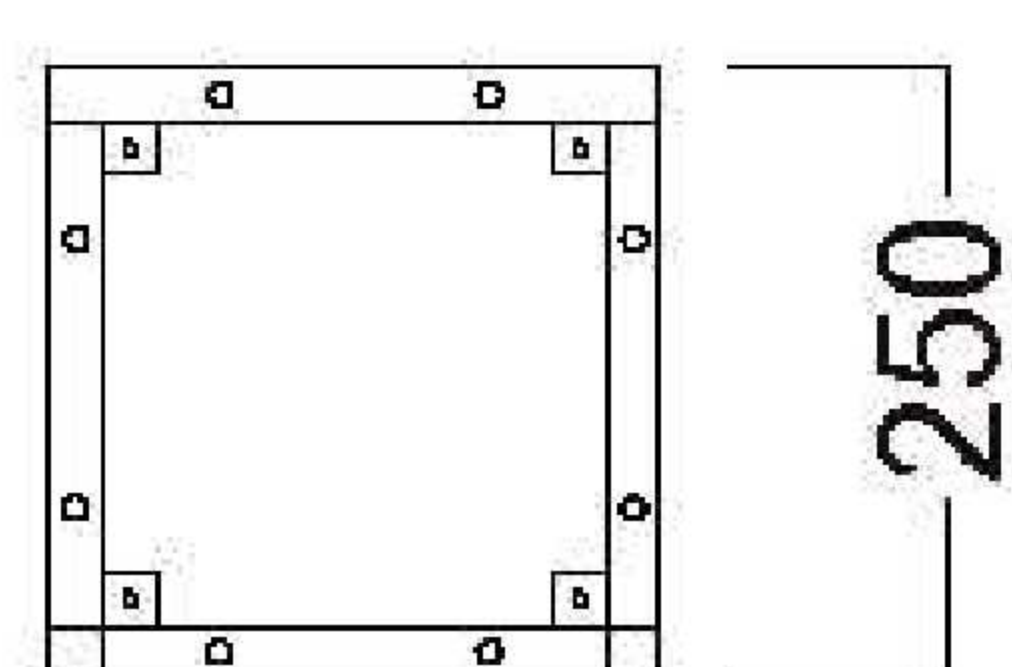
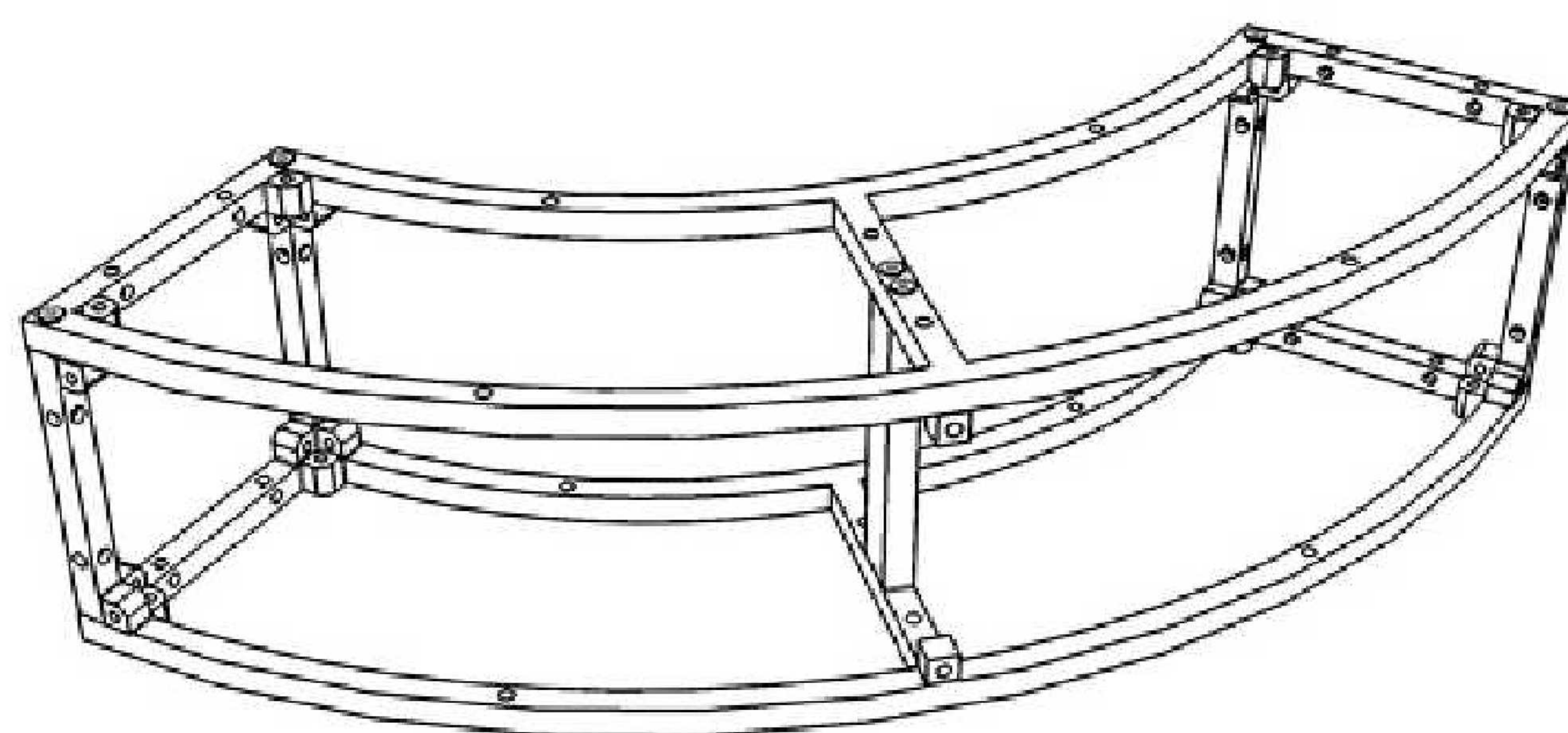
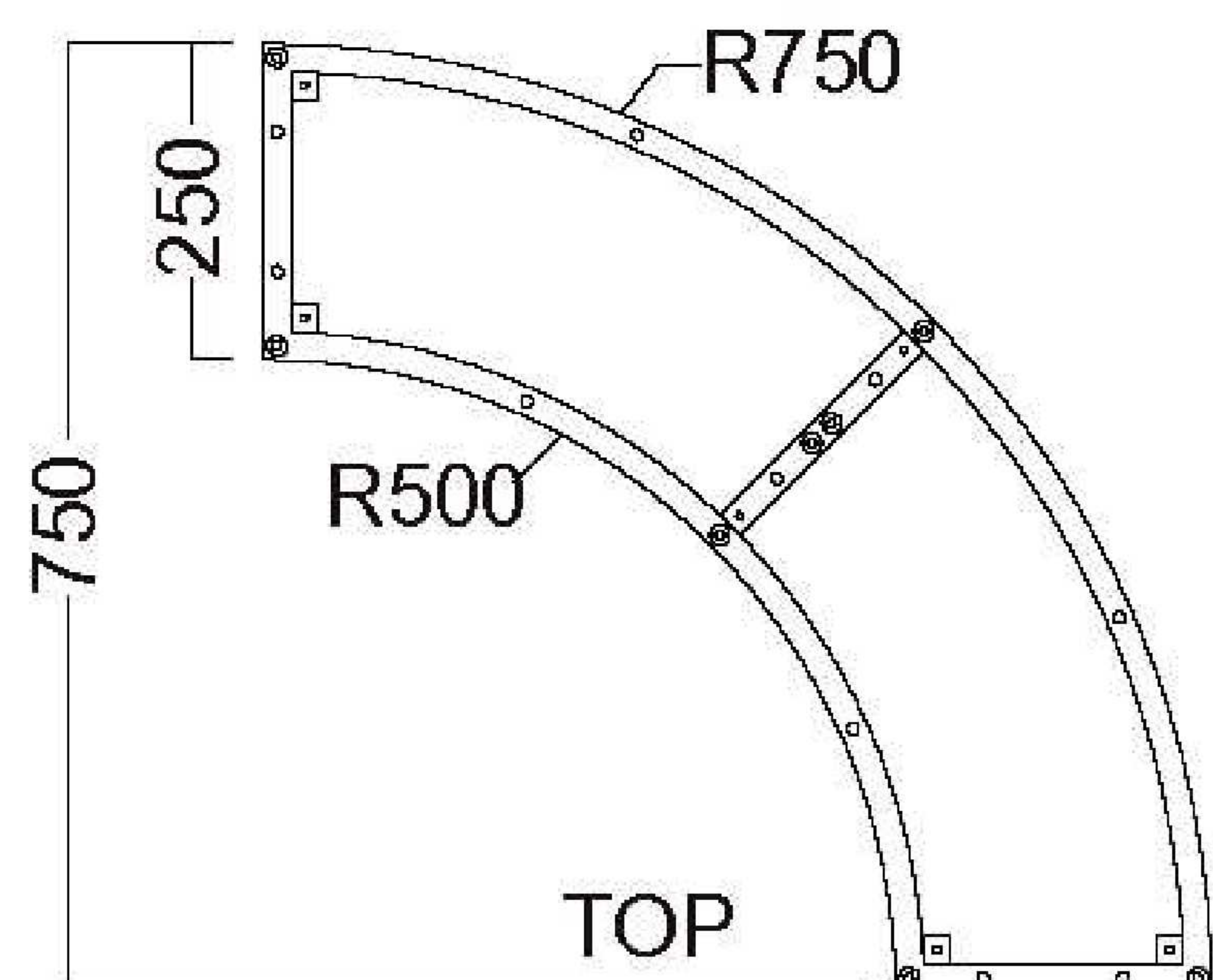
Standard Size
HOLE Ø11



T-wave B250

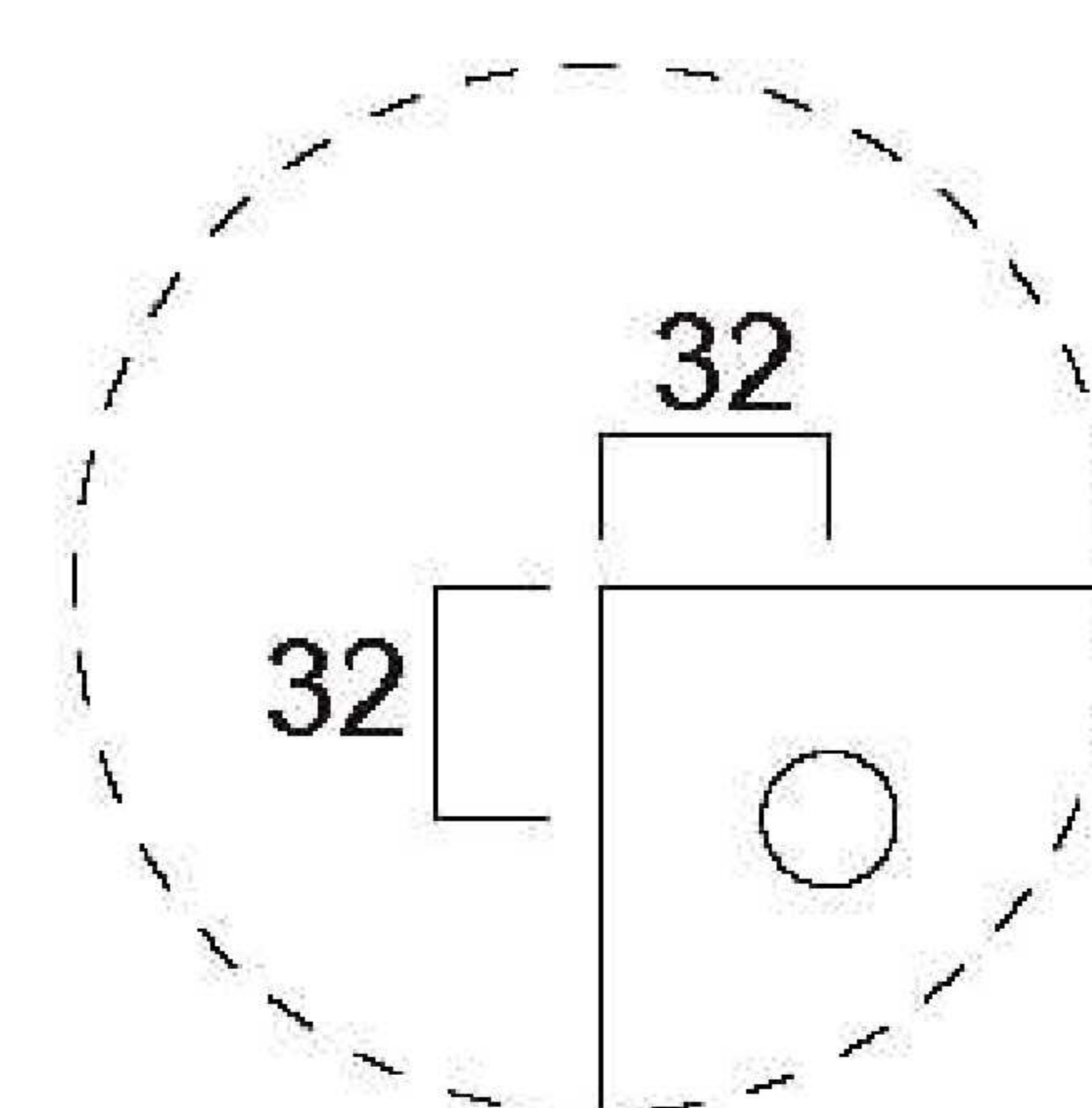
Podo International Corp.
Worldwide Solution

MATERIAL: ALLOY/A6061-T5
SURFACE FINISHING: BUFFING
SIZE: R750x250(h)x250mm
UNIT WEIGHT: 4.92kg

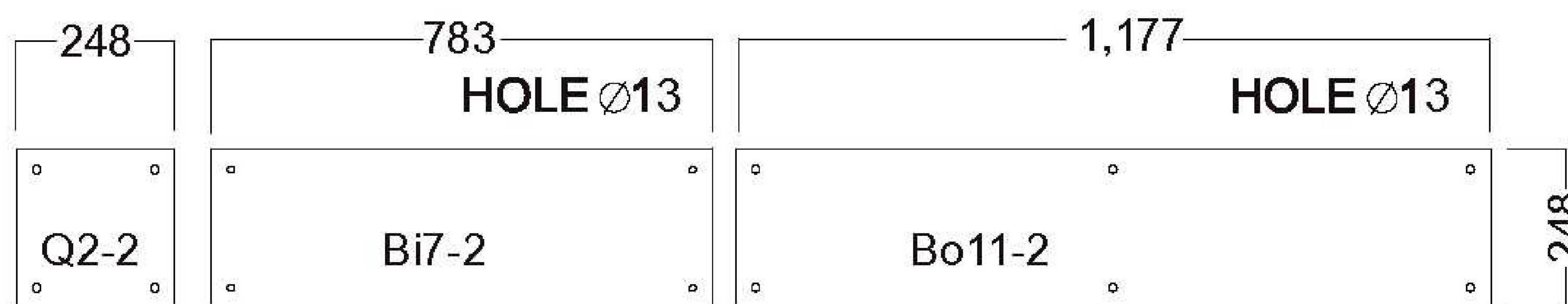


FRONT

The size of the finishing materials



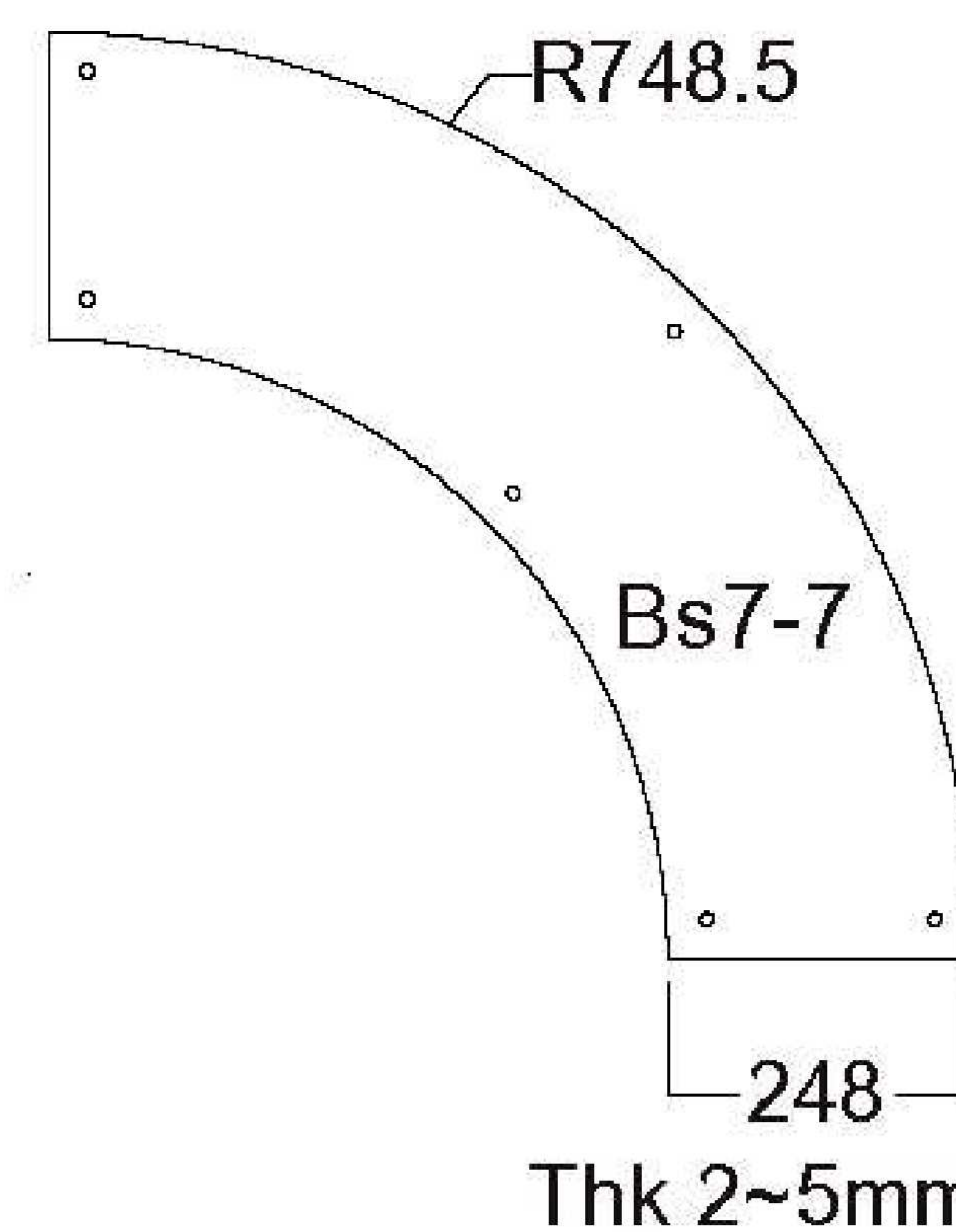
Standard Size
HOLE Ø11



Thk 2~5

Thk 2~5mm(Bending)
INSIDE-unfold

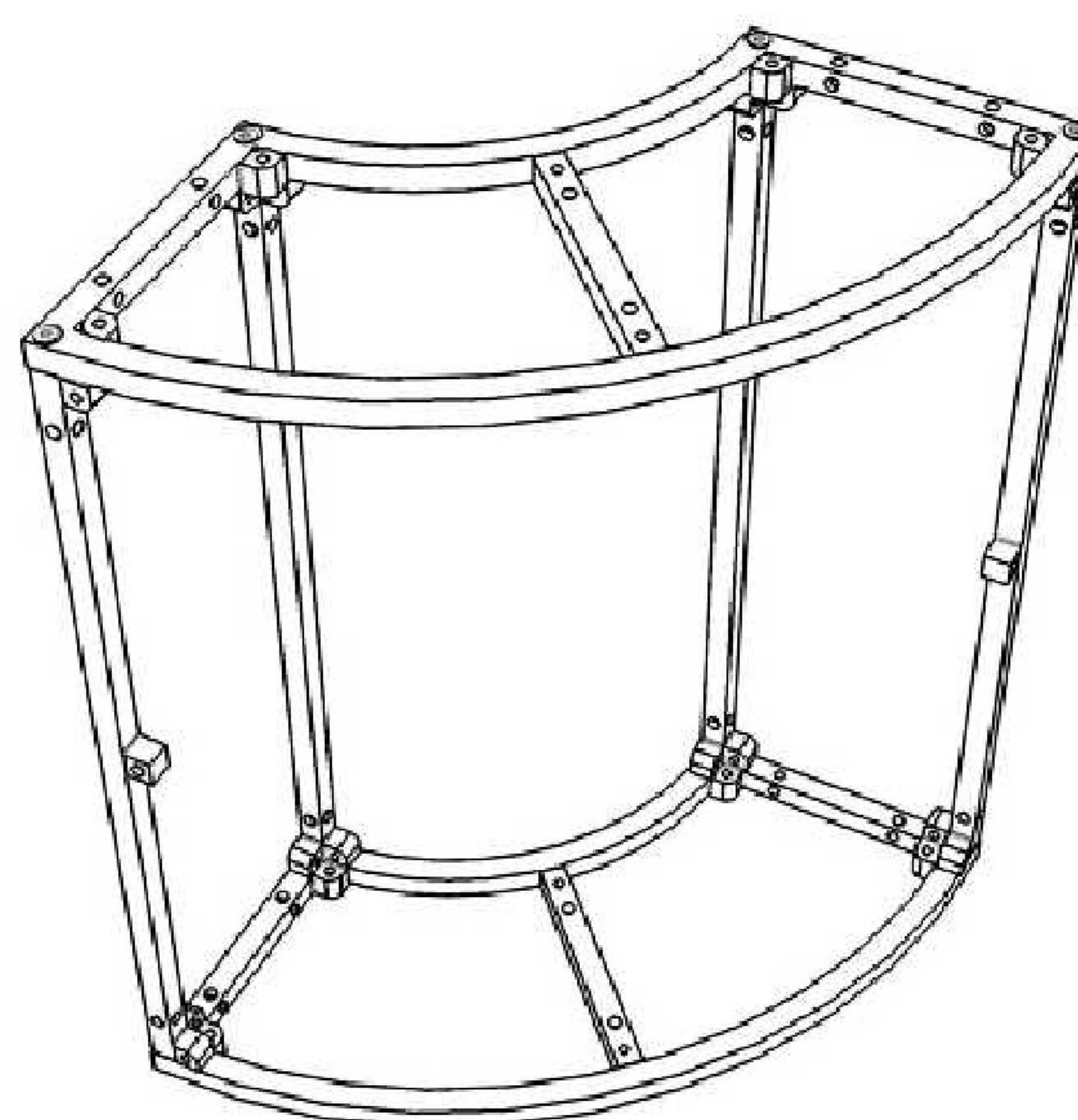
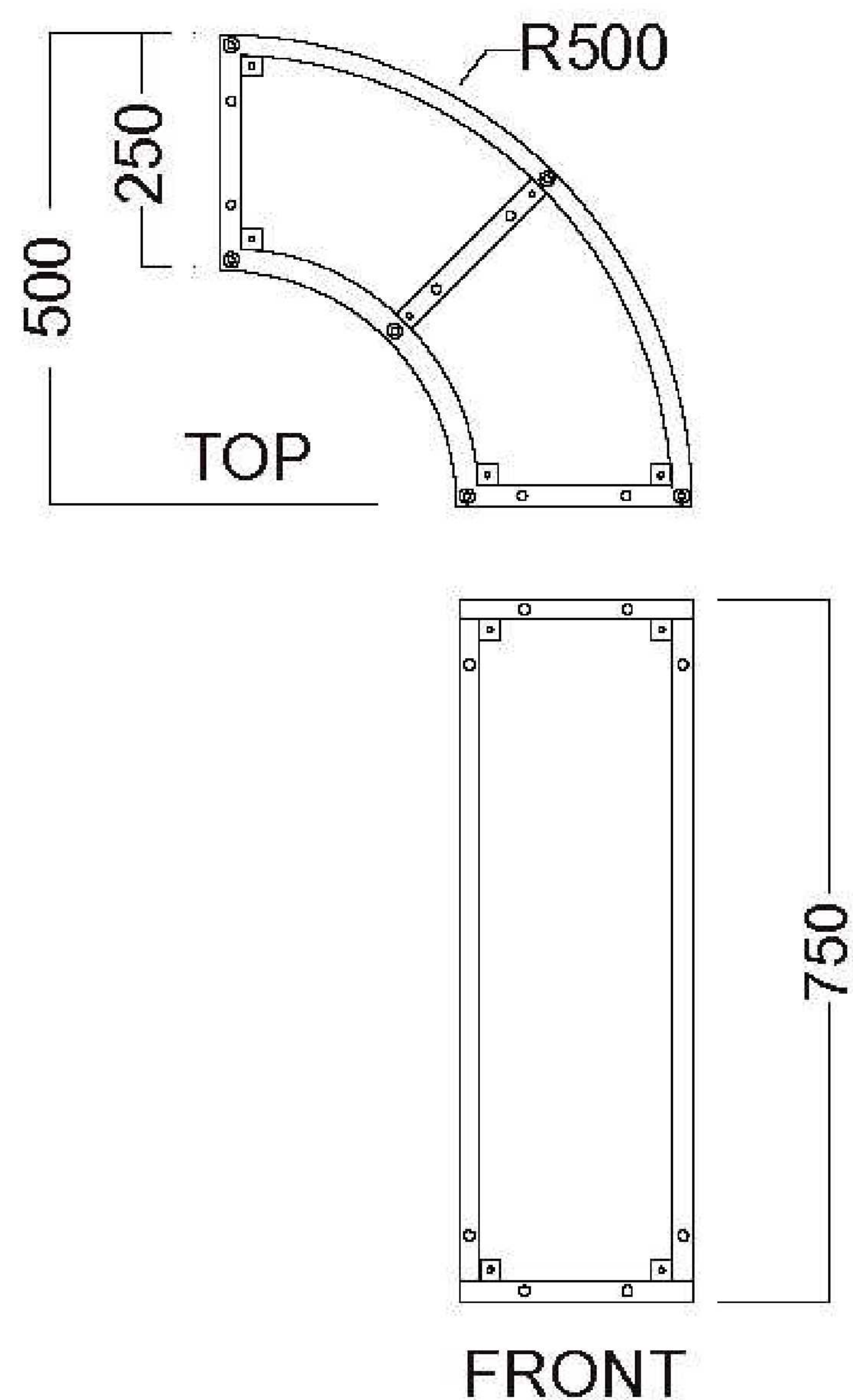
Thk 2~5mm(Bending)
OUTSIDE-unfold



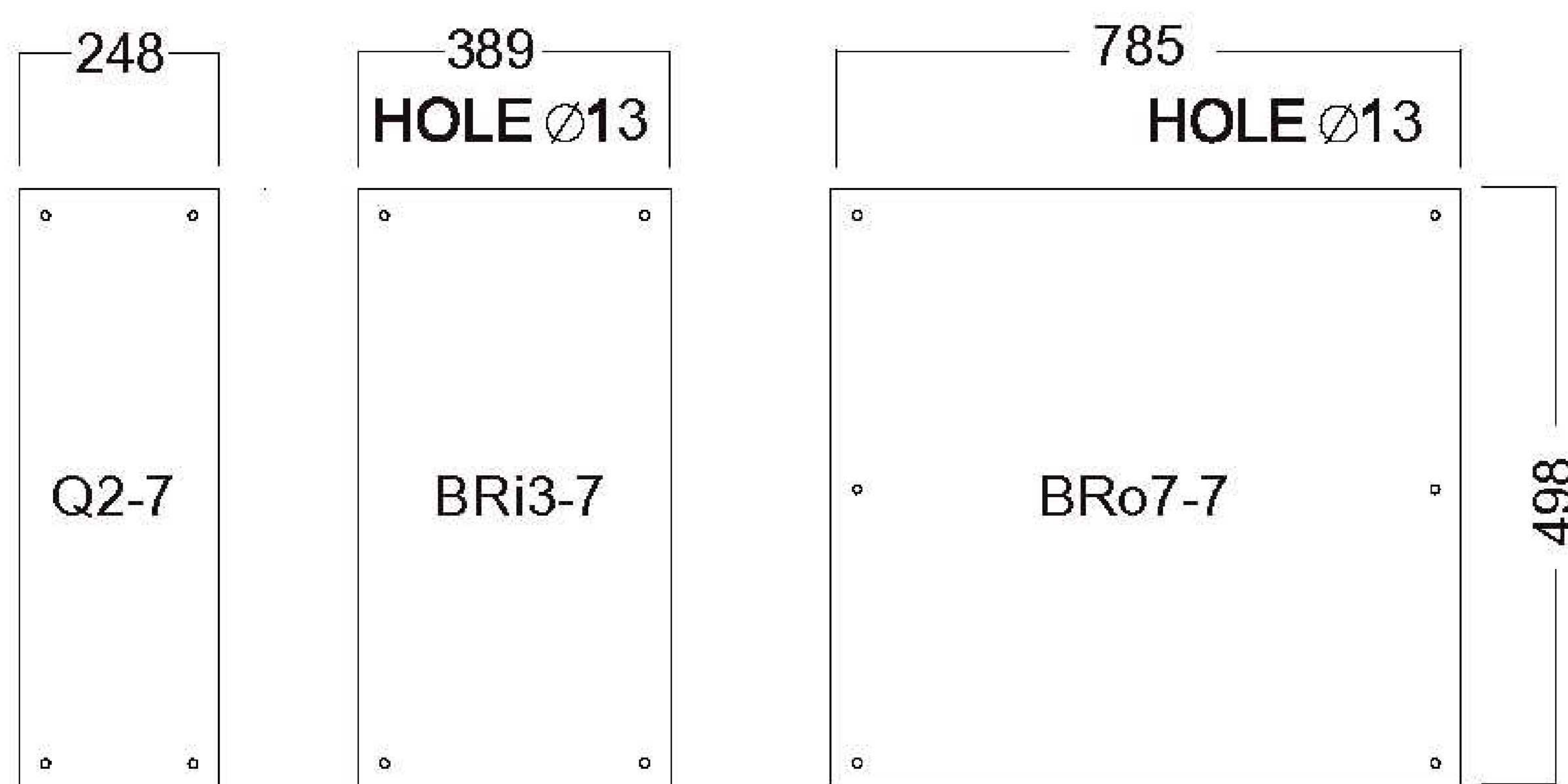
T-wave BR750

Podo International Corp.
Worldwide Solution

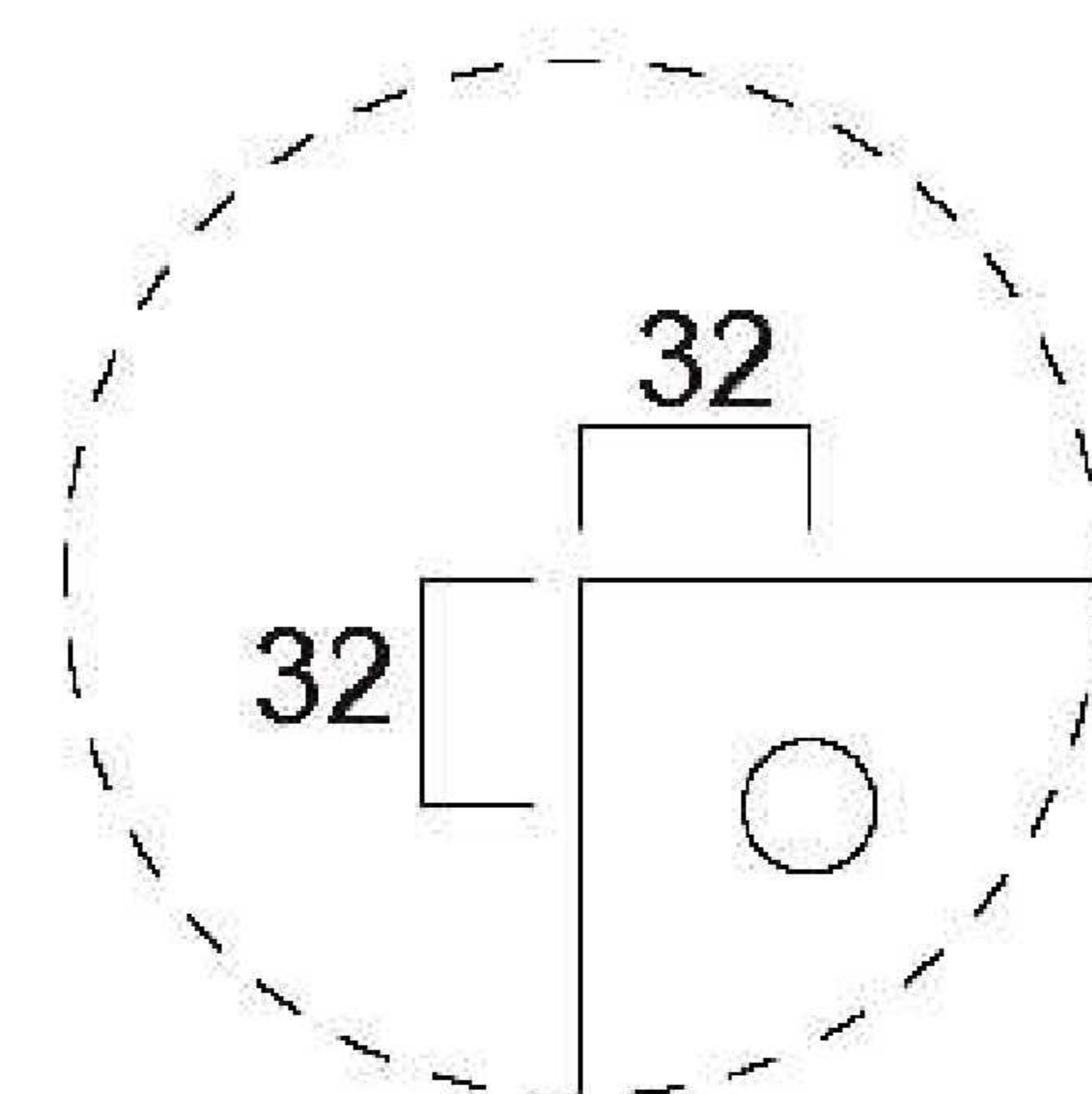
MATERIAL: ALLOY/A6061-T5
SURFACE FINISHING: BUFFING
SIZE: R500x750(h)x250mm
UNIT WEIGHT: 5.1kg



The size of the finishing materials



Thk 2~5 Thk 2~5mm(Bending) Thk 2~5mm(Bending)
INSIDE-unfold OUTSIDE-unfold



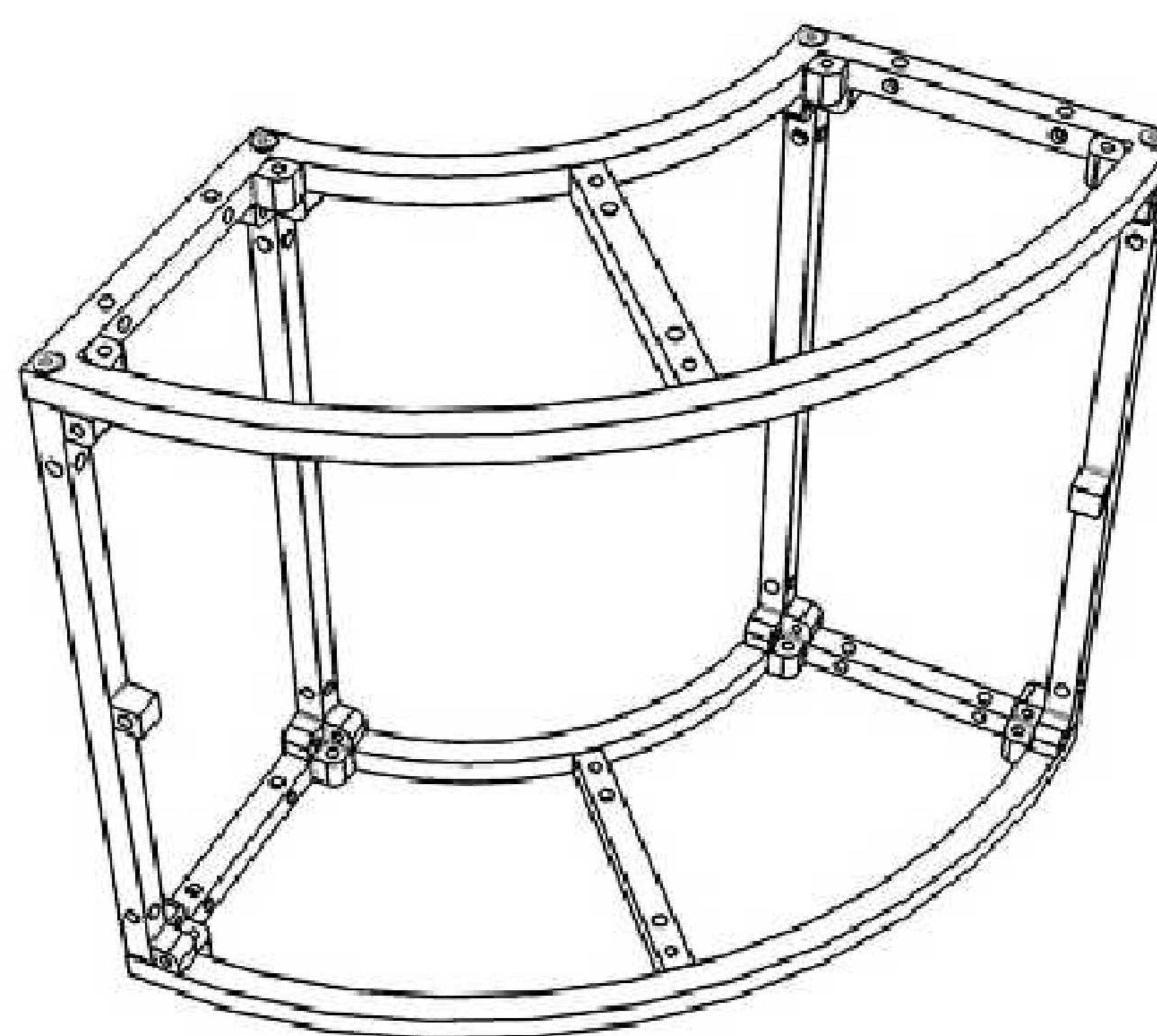
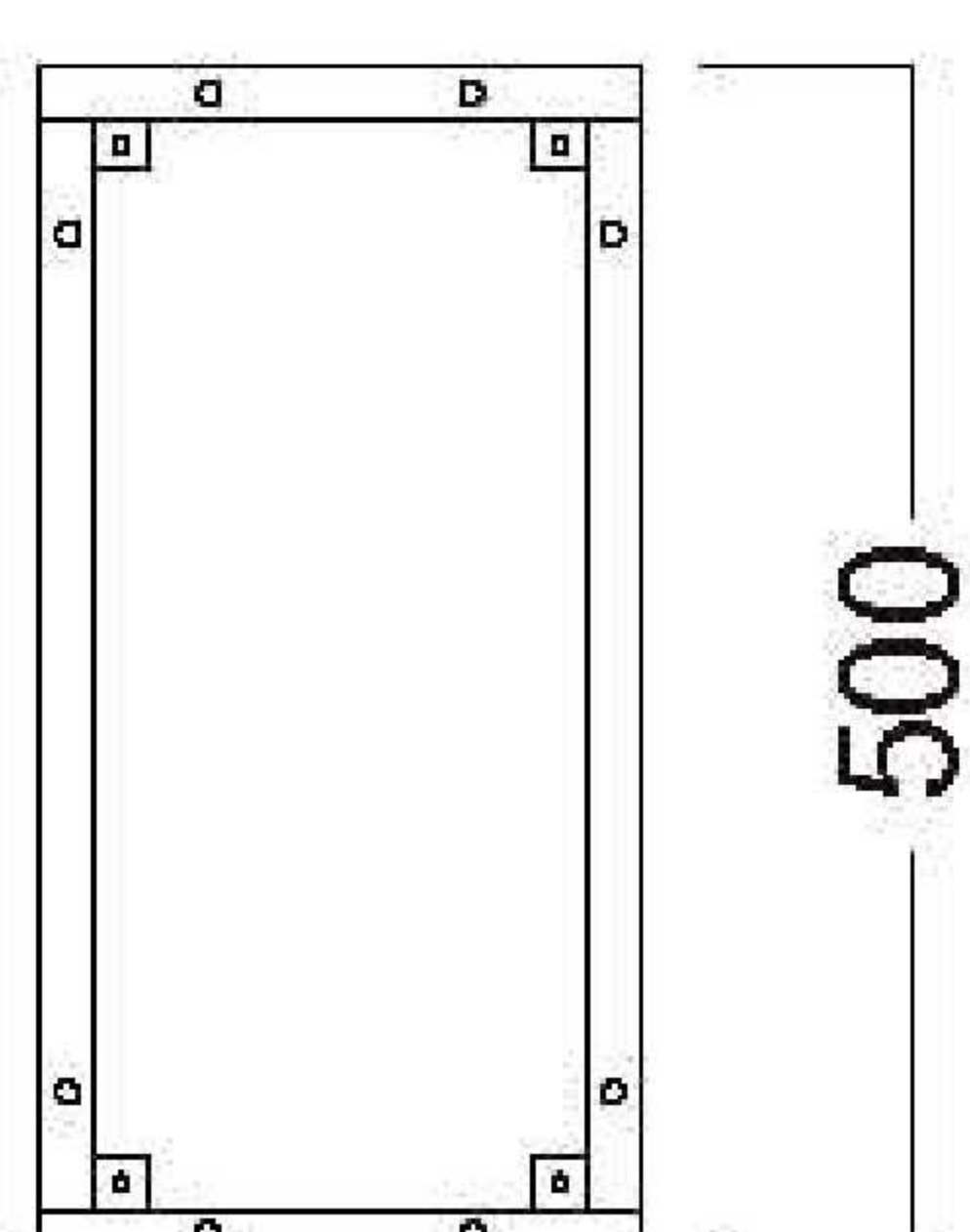
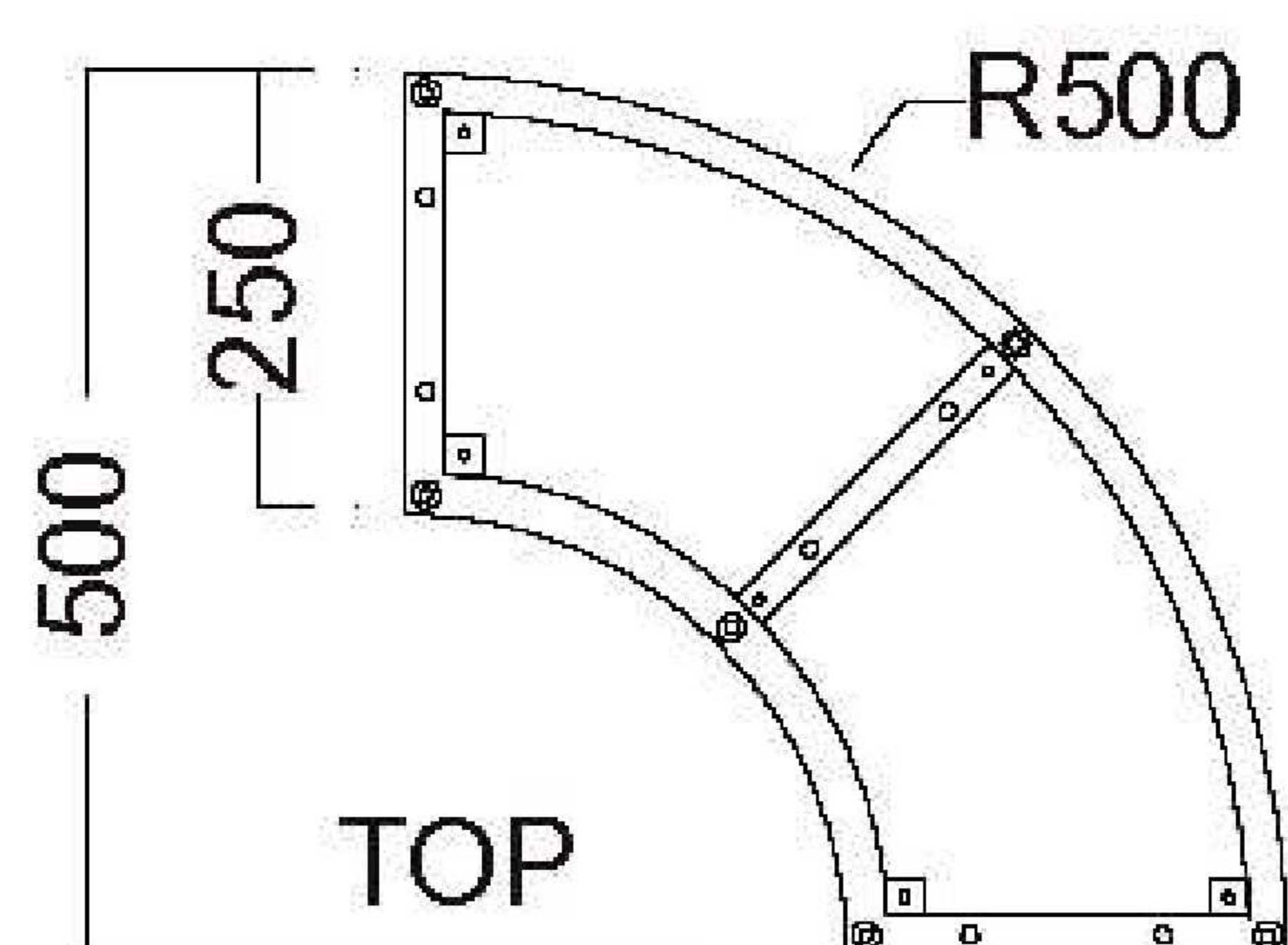
Standard Size
HOLE Ø11

Thk 2~5mm

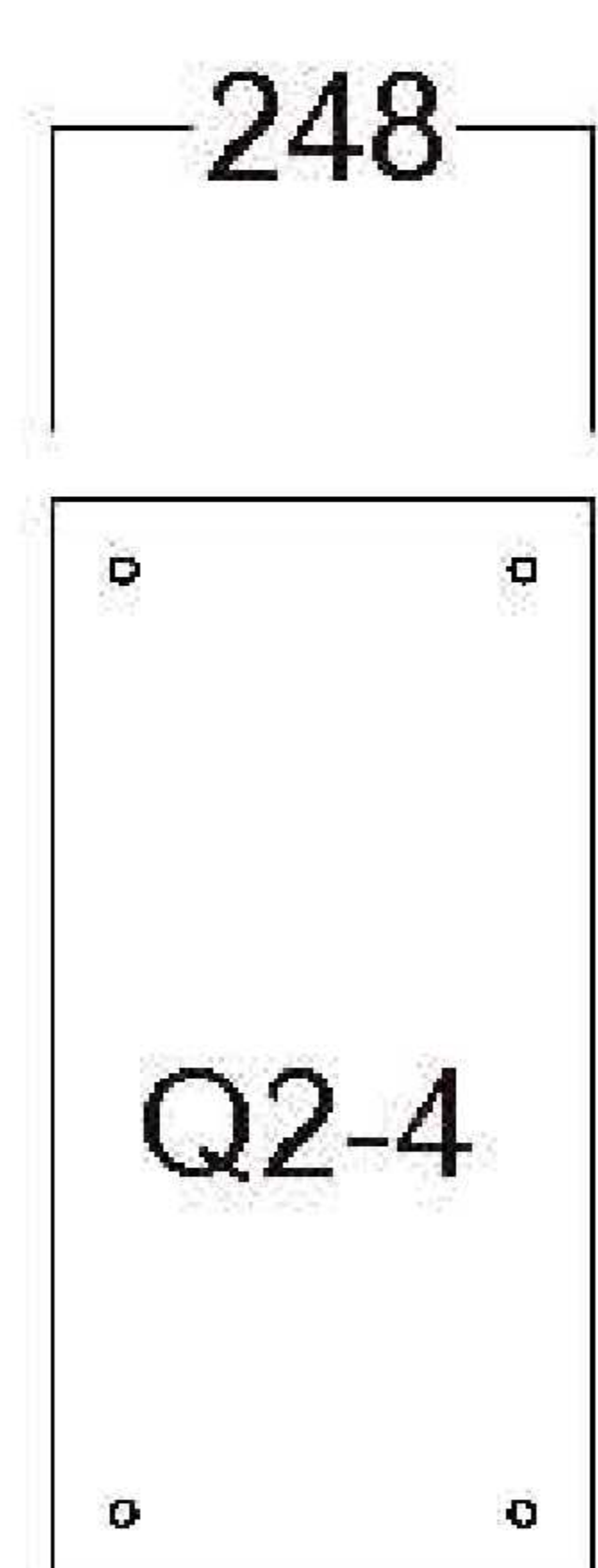
T-wave BR500

Podo International Corp.
Worldwide Solution

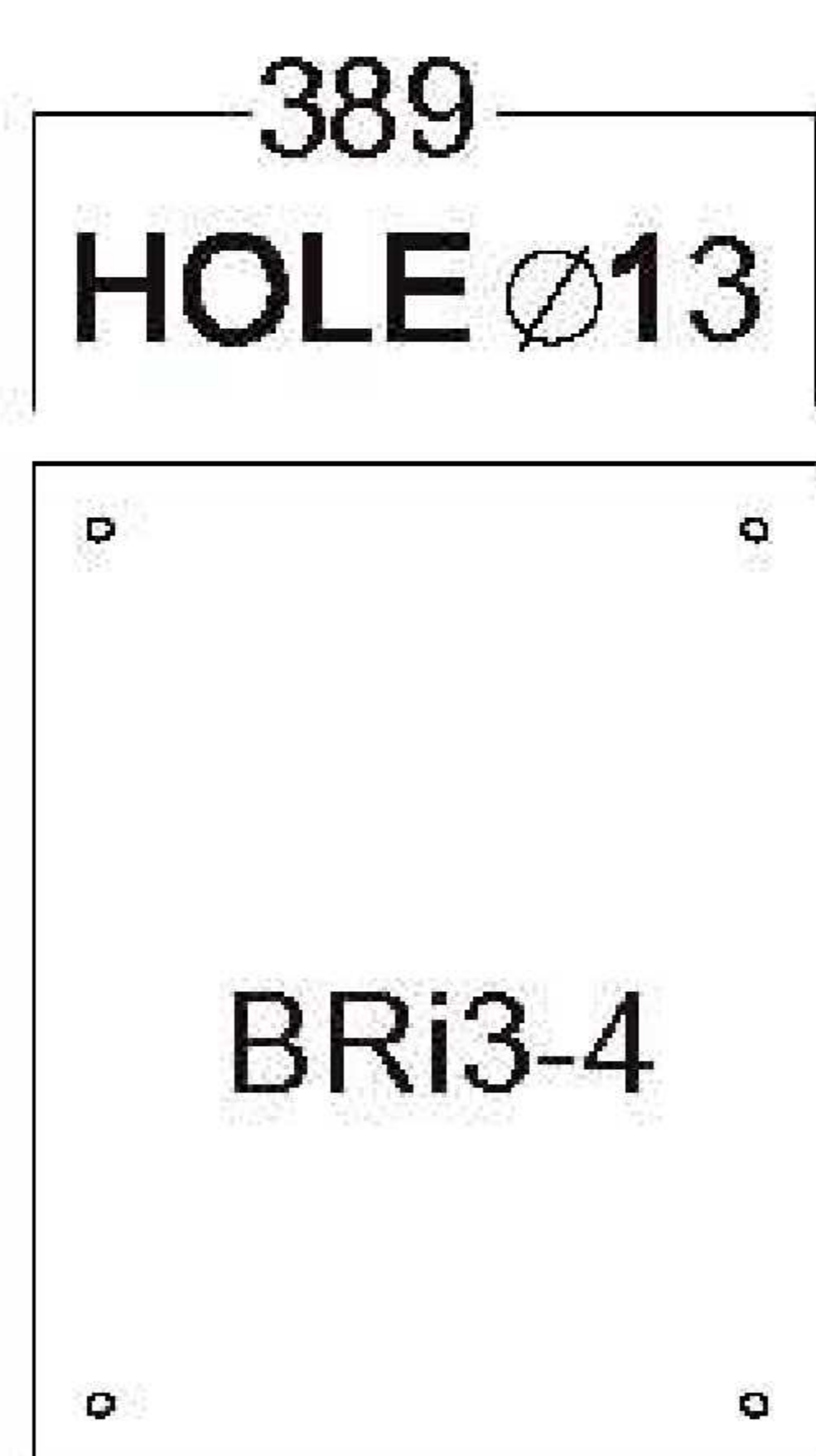
MATERIAL: ALLOY/A6061-T5
SURFACE FINISHING: BUFFING
SIZE: R500x500(h)x250mm
UNIT WEIGHT: 4.42kg



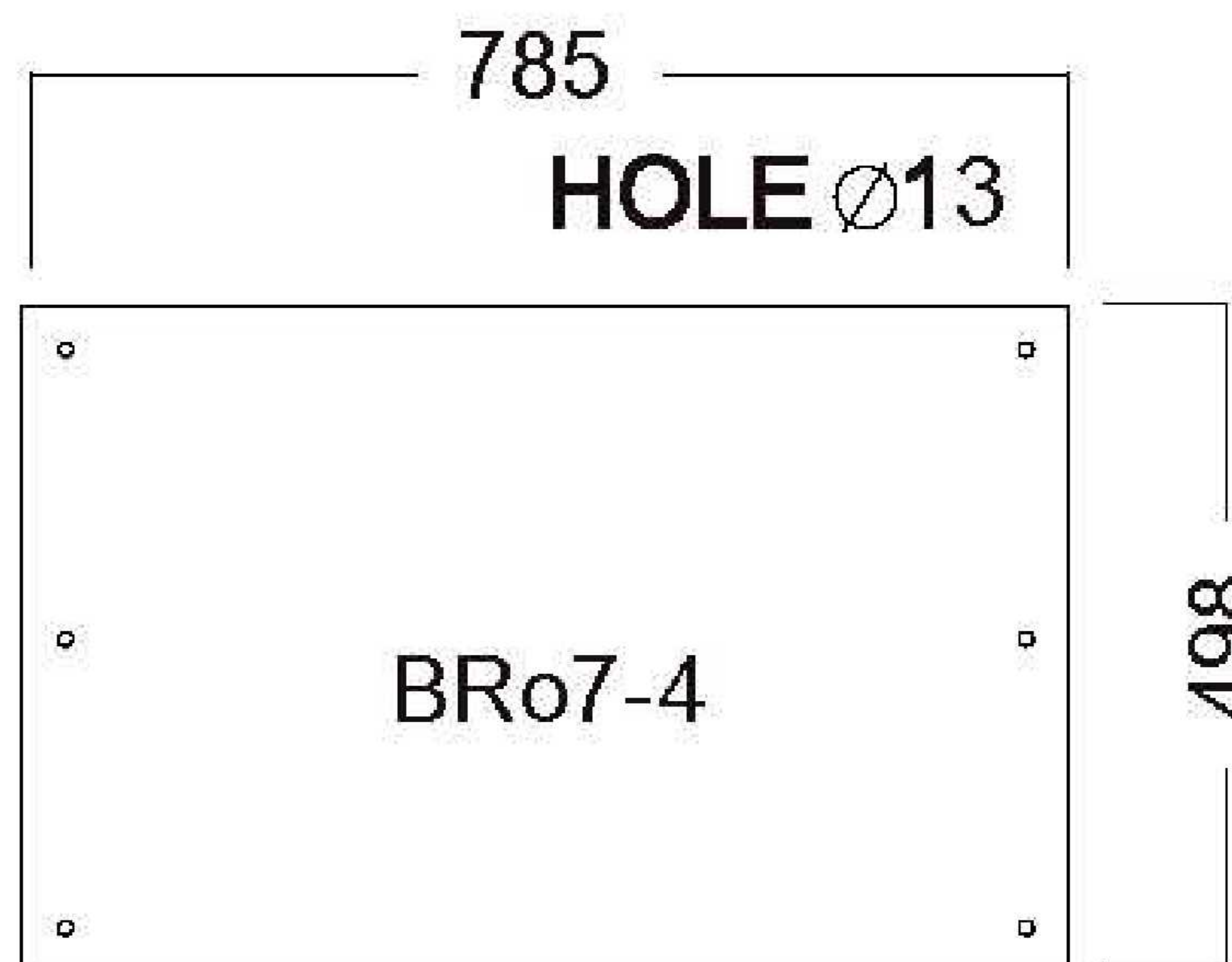
The size of the finishing materials



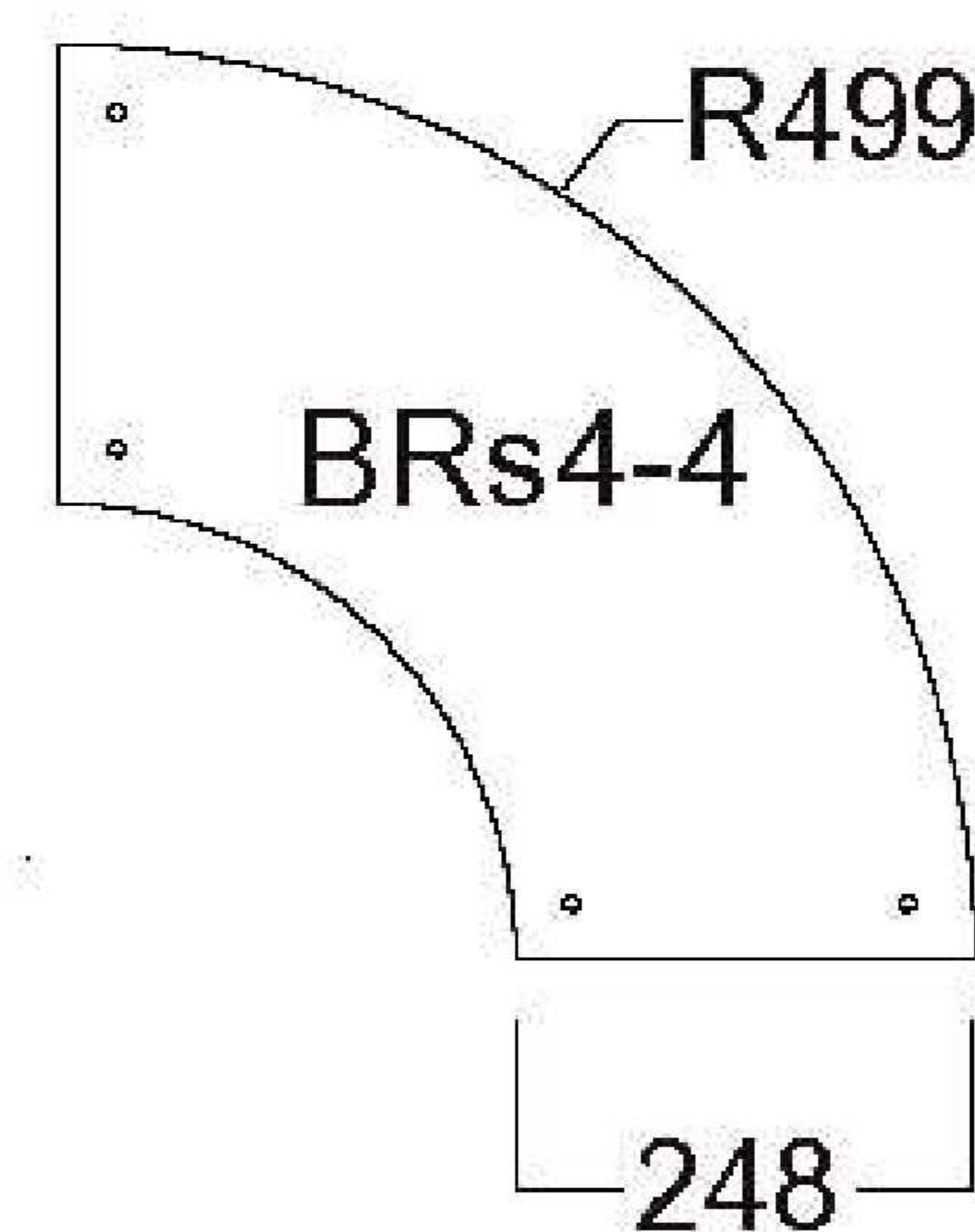
Thk 2~5



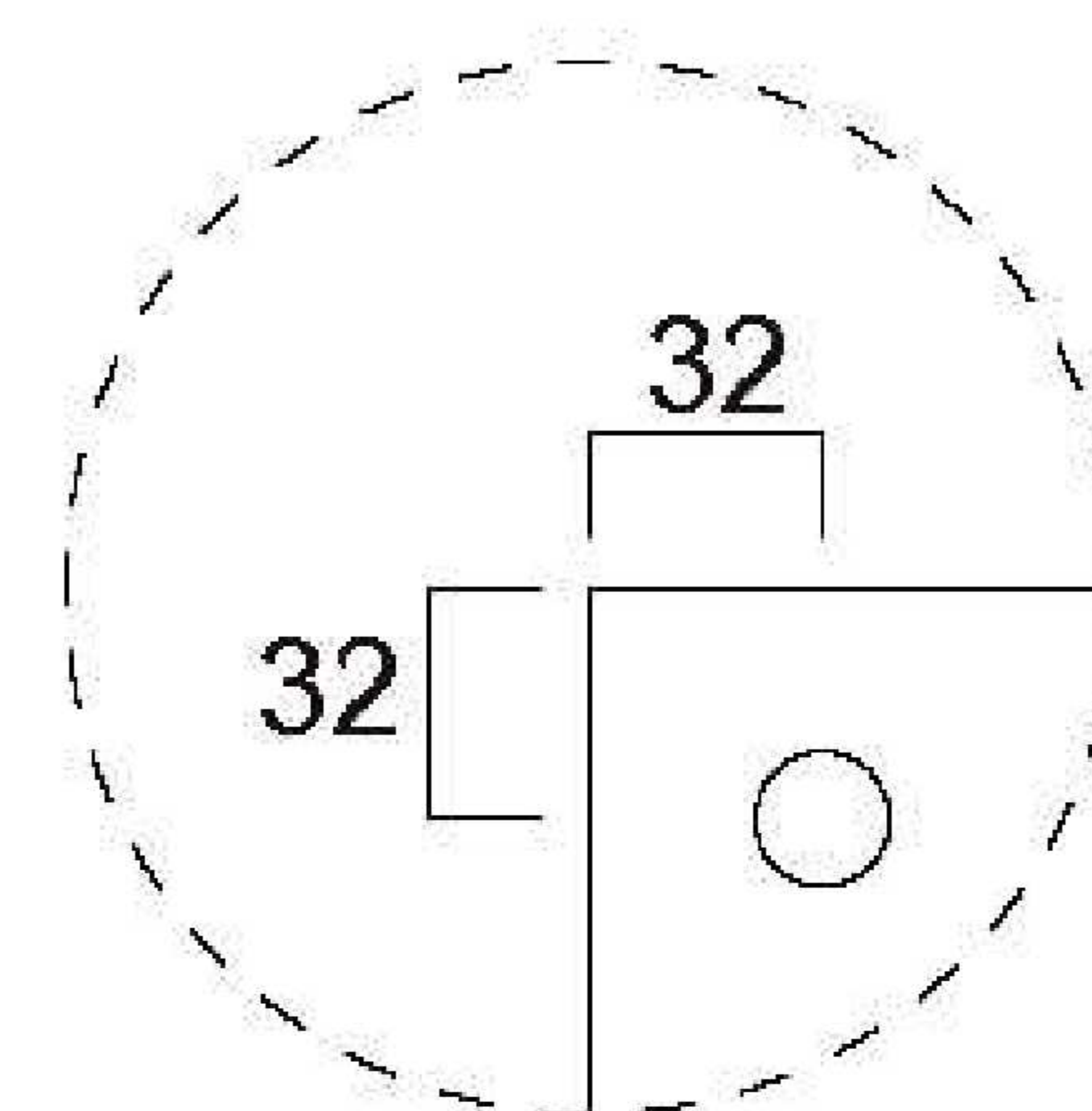
Thk 2~5mm(Bending)
INSIDE-unfold



Thk 2~5mm(Bending)
OUTSIDE-unfold



Thk 2~5mm

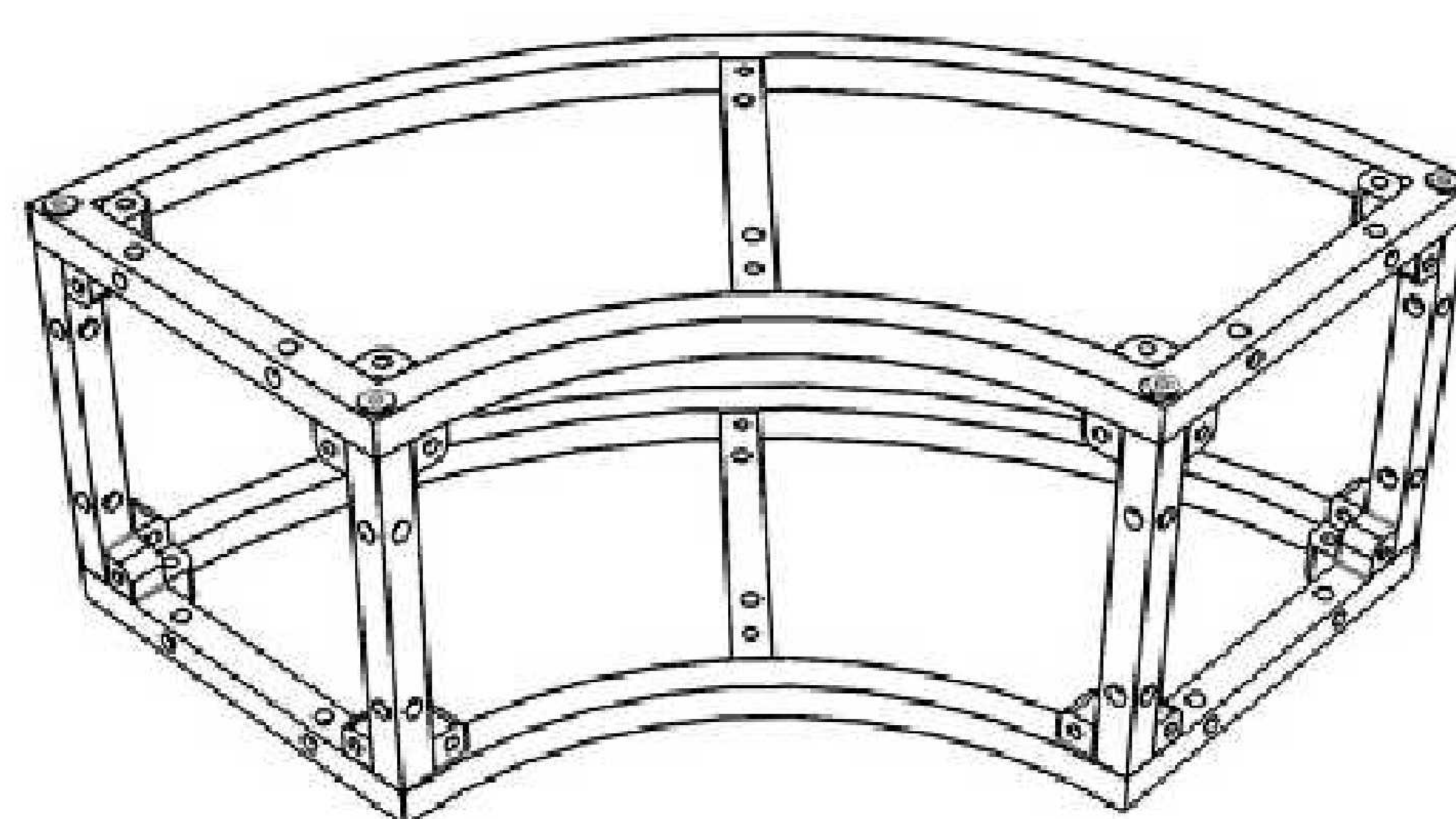
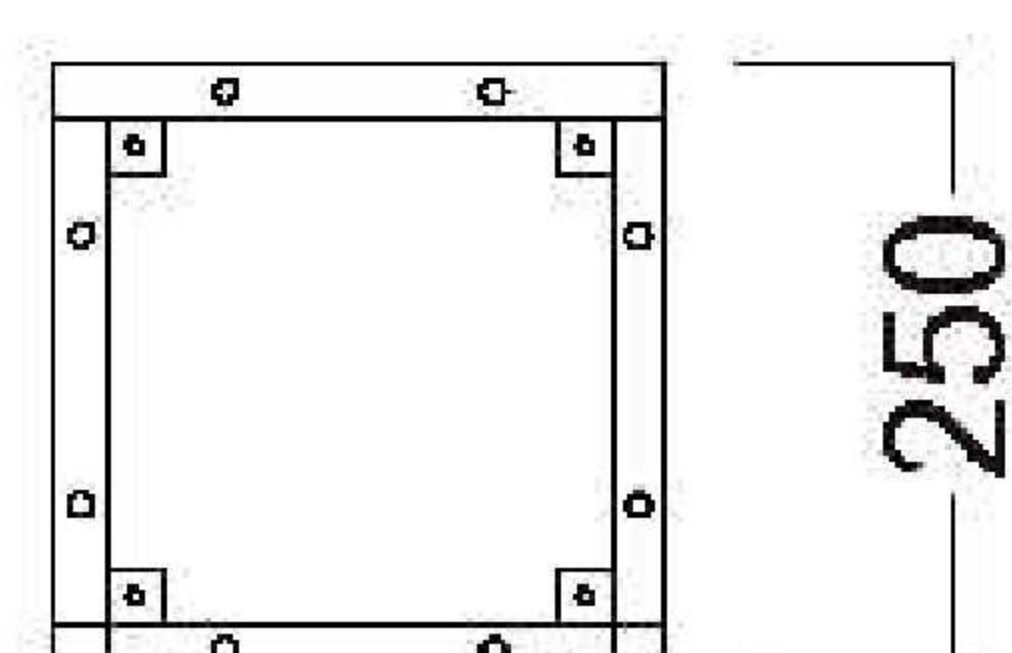
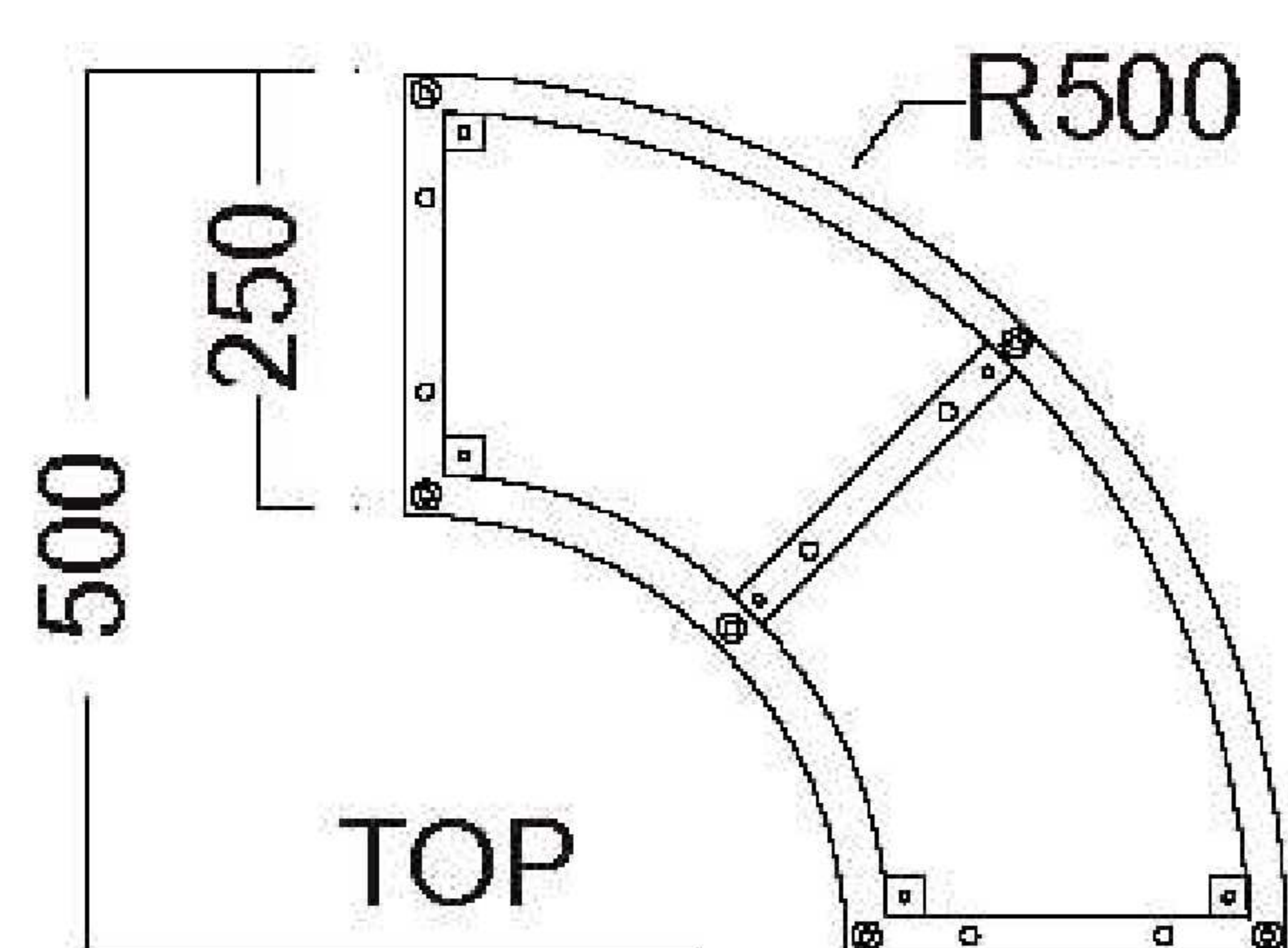


Standard Size
HOLE Ø11

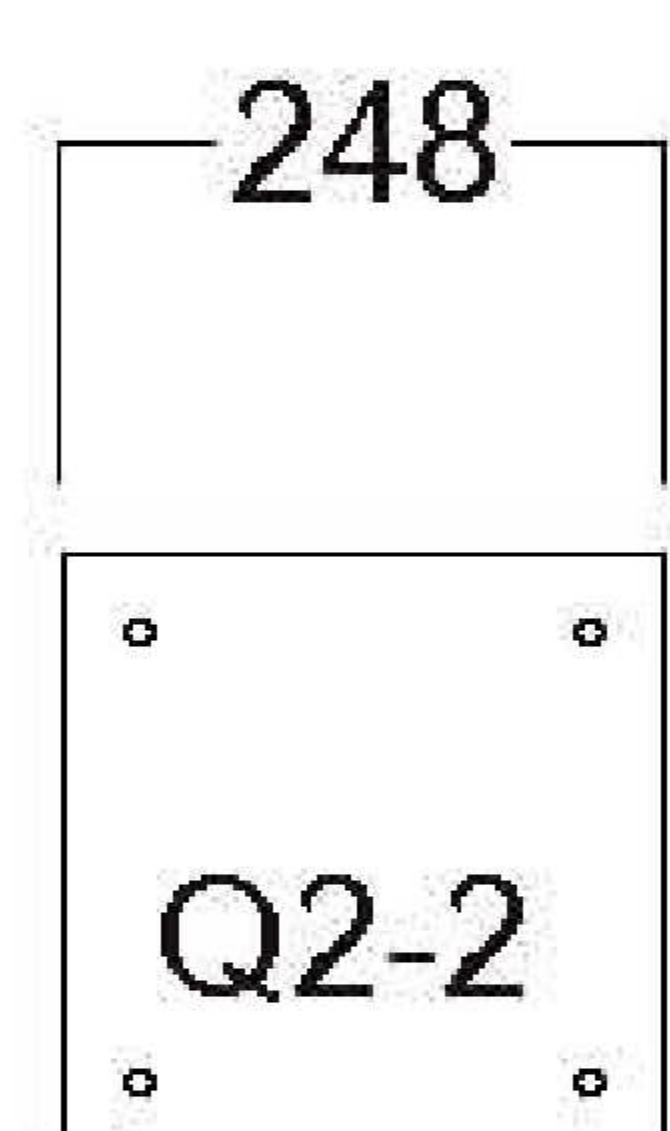
T-wave BR250

Podo International Corp.
Worldwide Solution

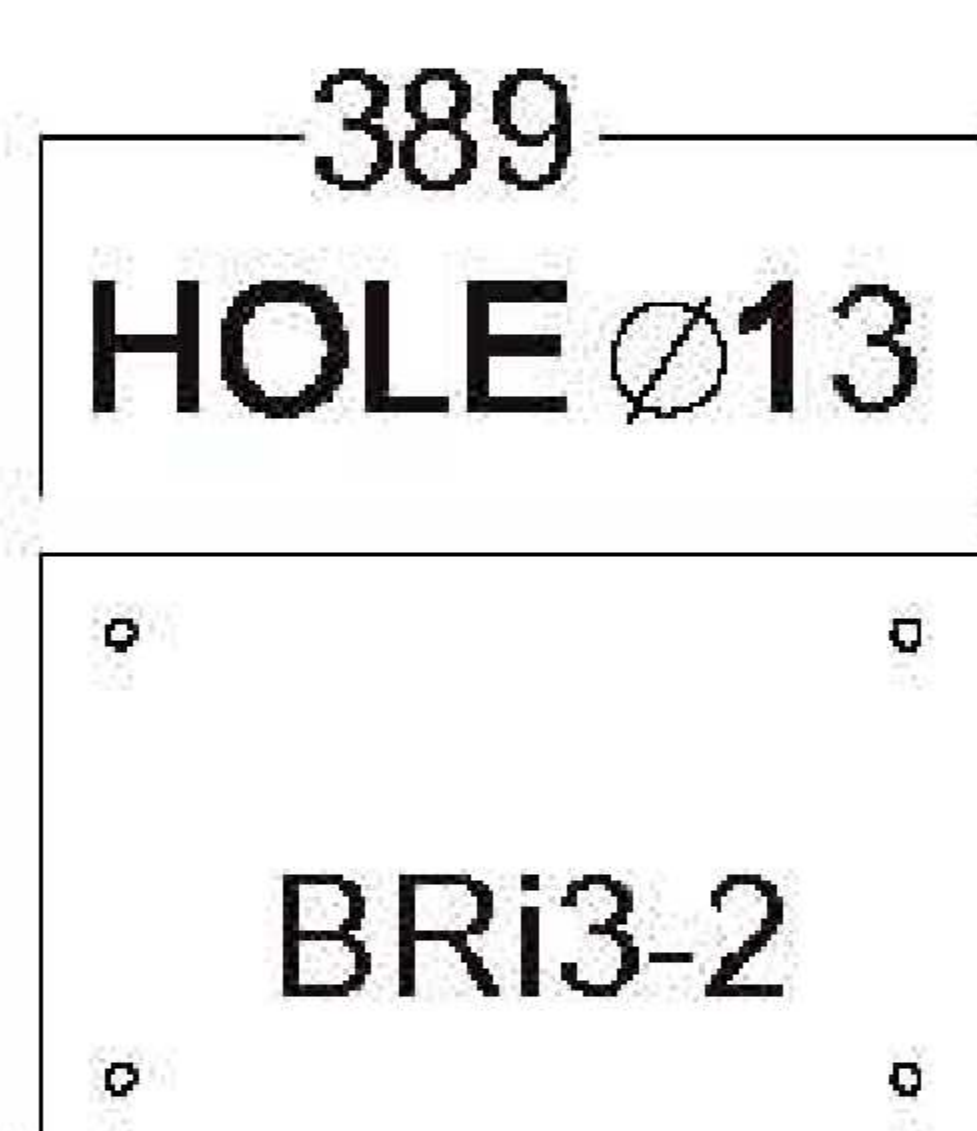
MATERIAL: ALLOY/A6061-T5
SURFACE FINISHING: BUFFING
SIZE: R500x250(h)x250mm
UNIT WEIGHT: 3.72kg



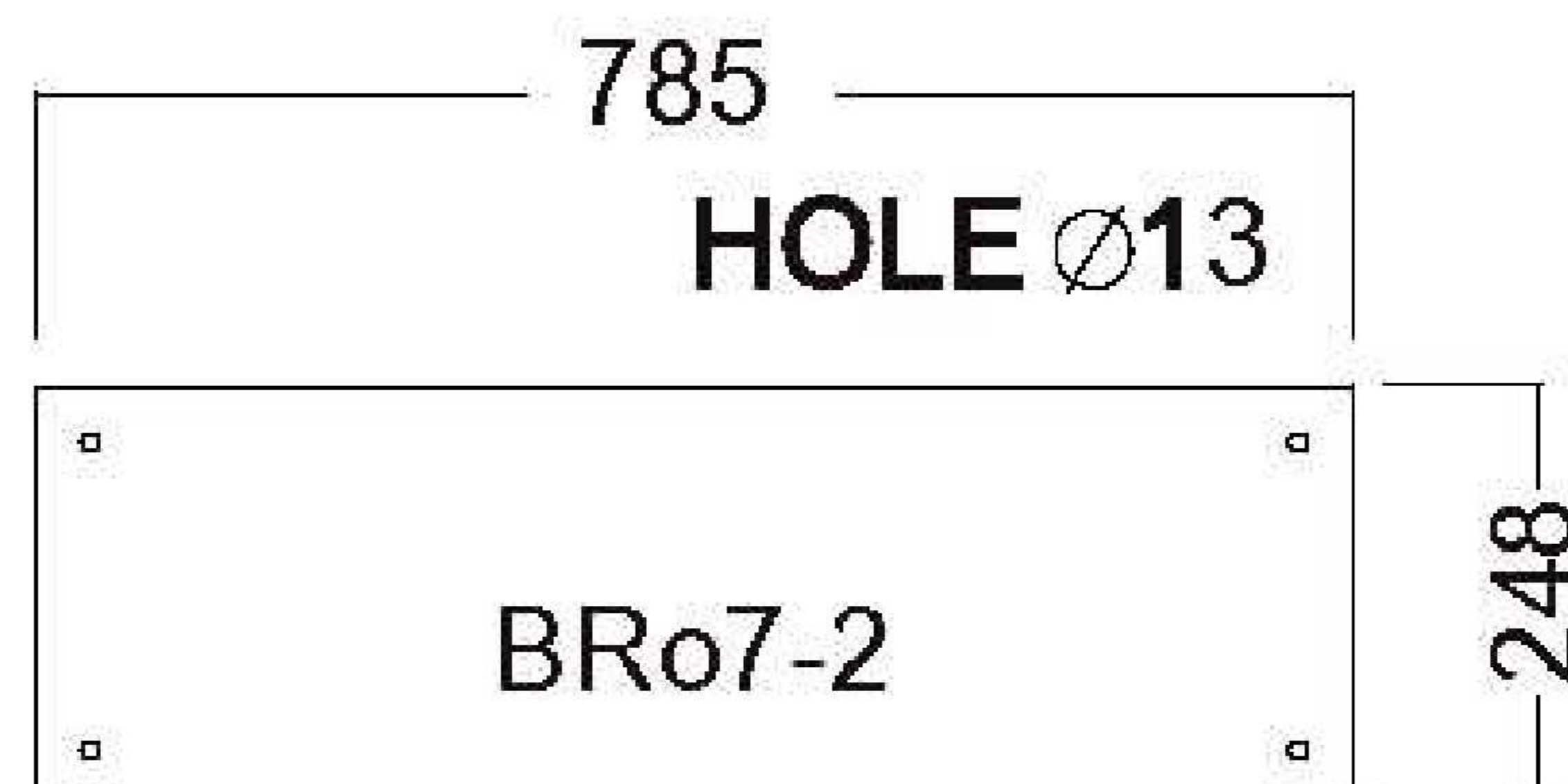
The size of the finishing materials



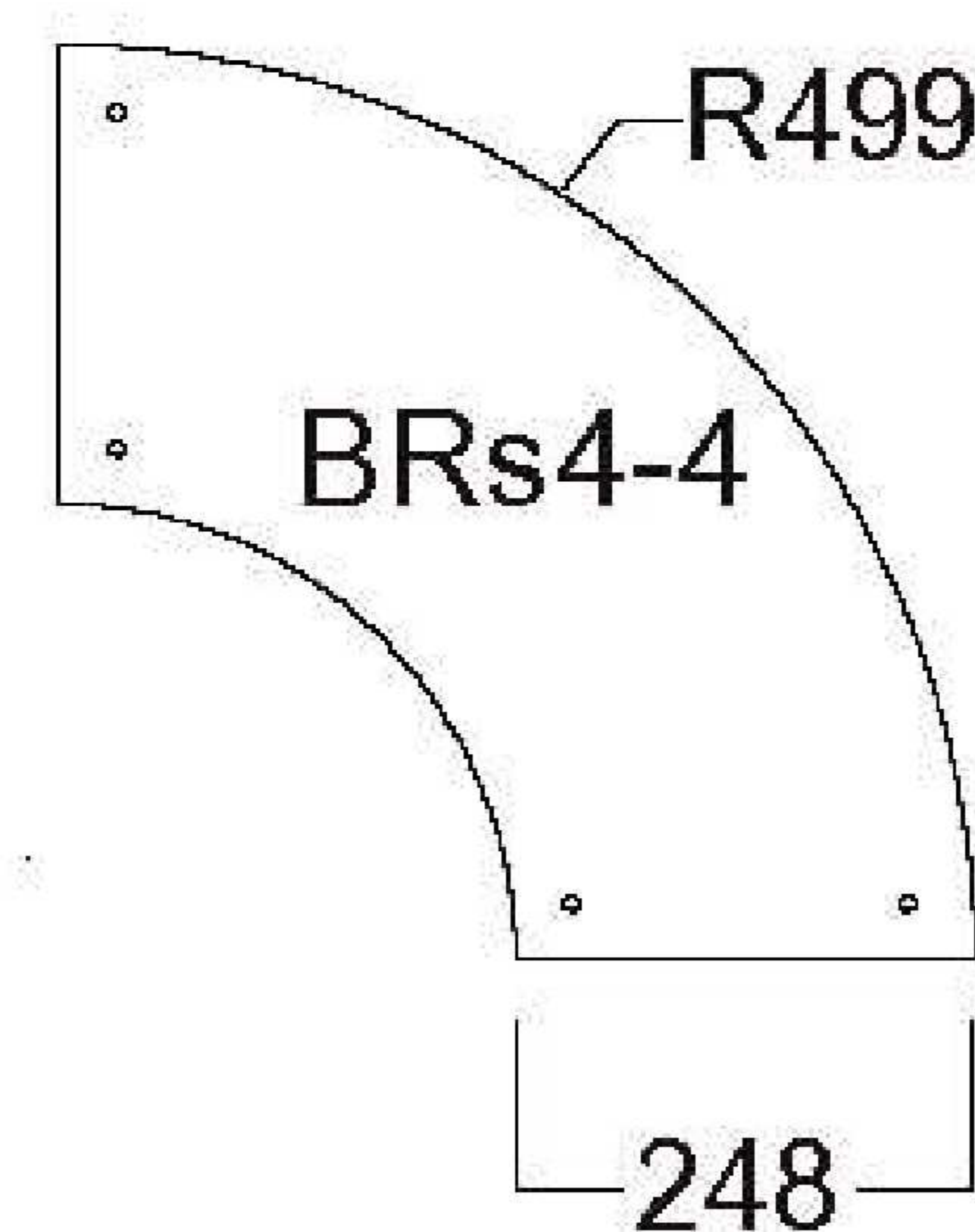
Thk 2~5



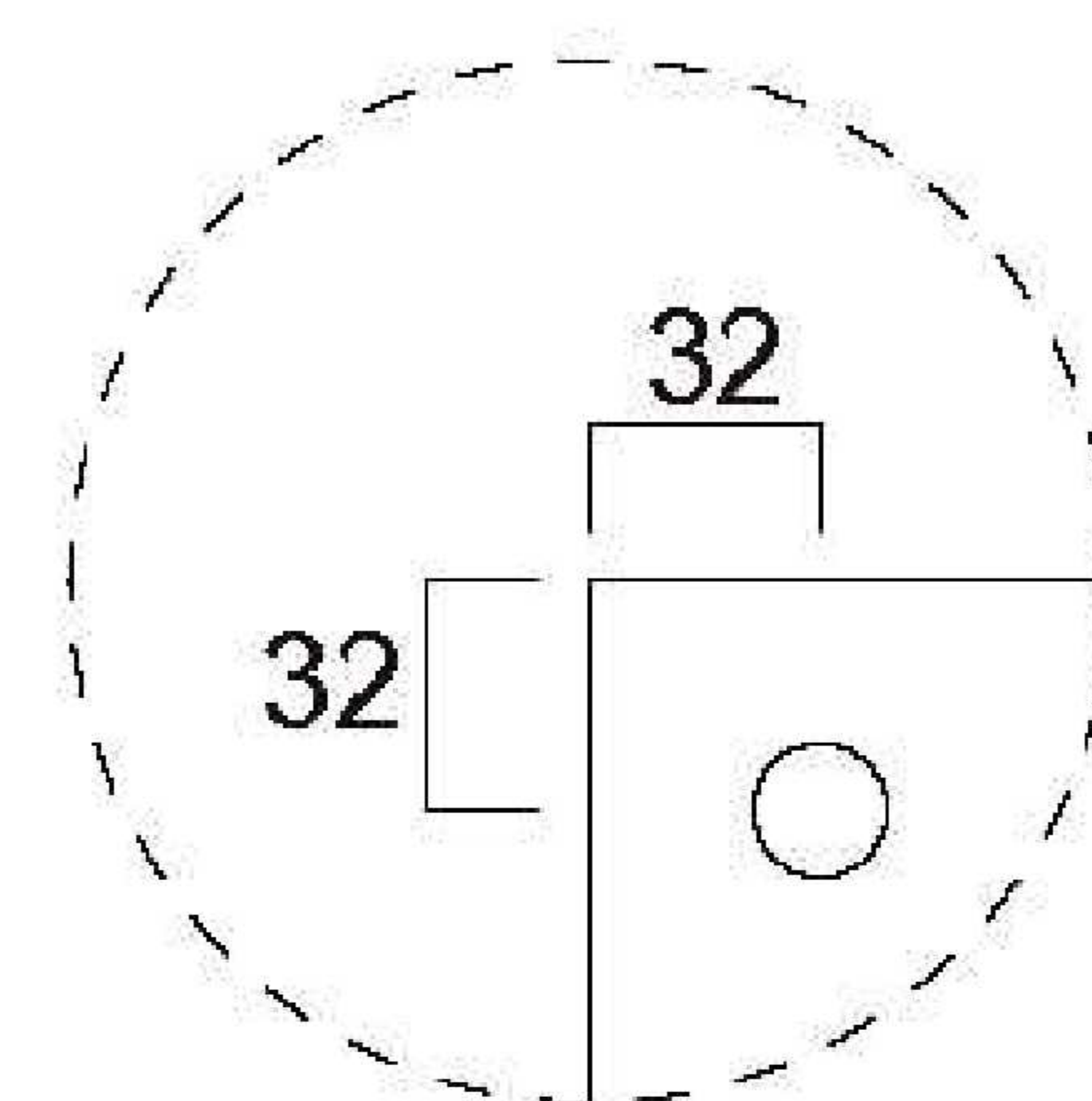
Thk 2~5mm(Bending)
INSIDE-unfold



Thk 2~5mm(Bending)
OUTSIDE-unfold



Thk 2~5mm

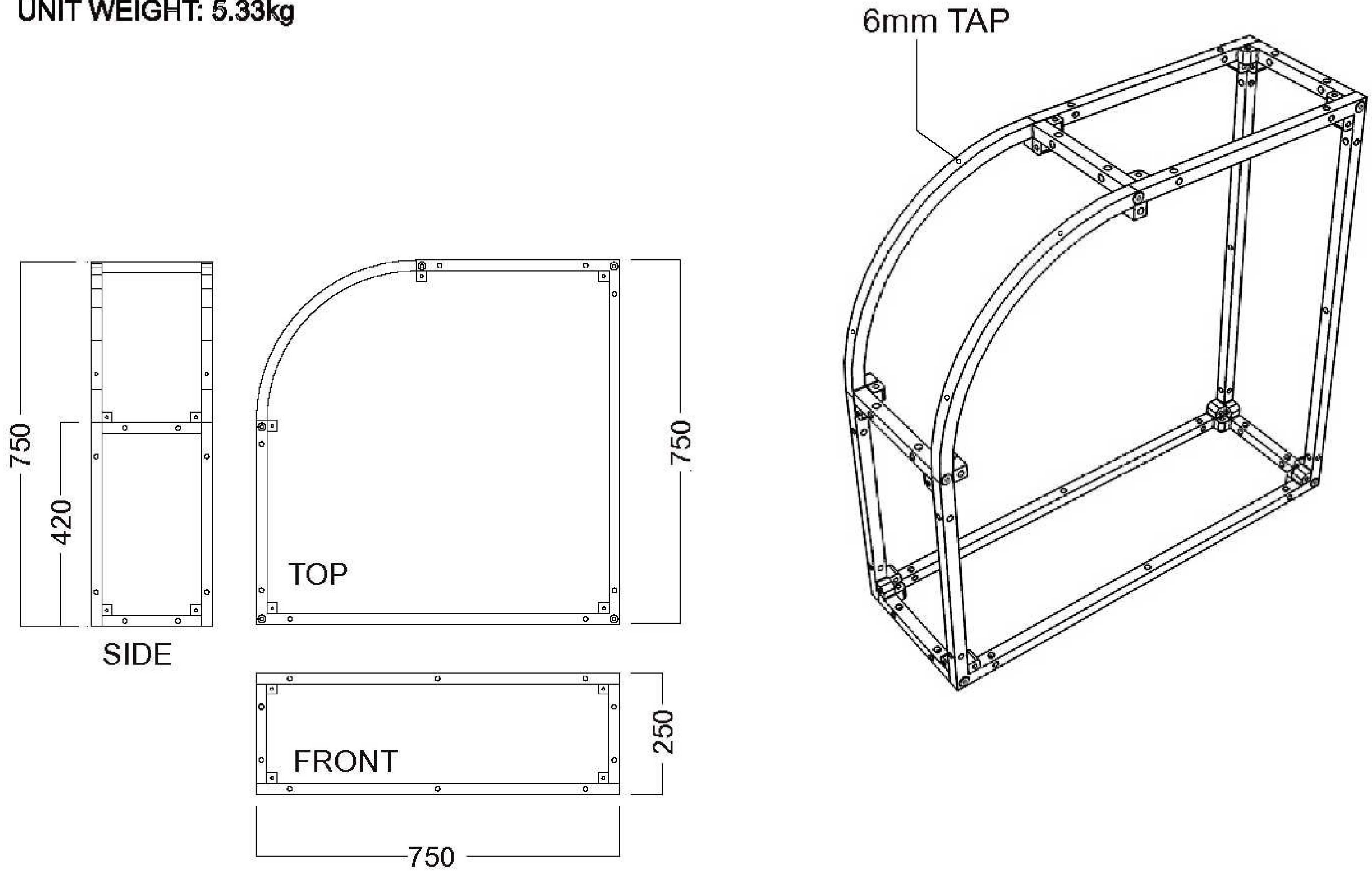


Standard Size
HOLE Ø11

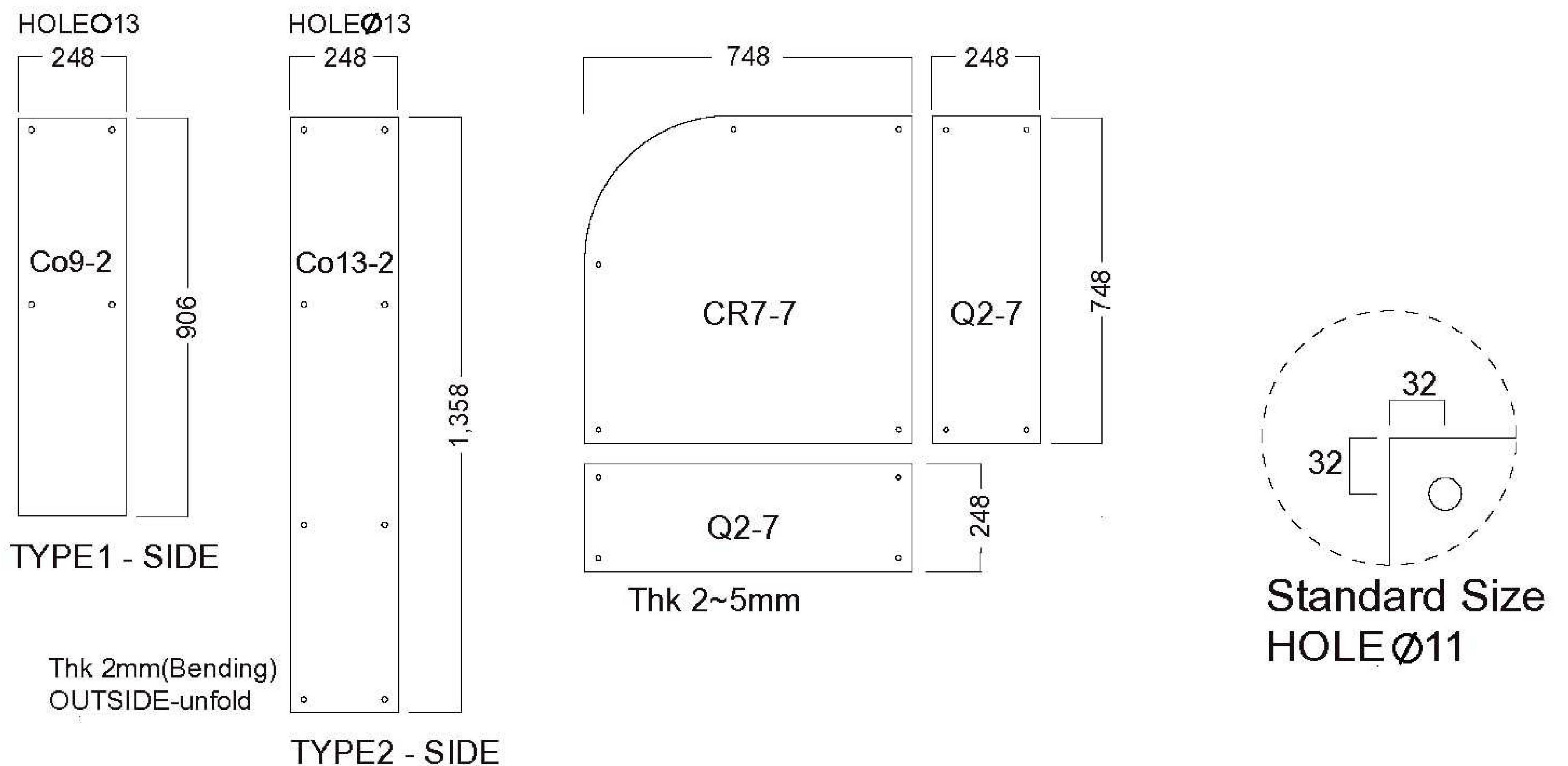
T-wave C

Podo International Corp.
Worldwide Solution

MATERIAL: ALLOY/A6061-T5
SURFACE FINISHING: BUFFING
SIZE: 750x750(h)x250mm
UNIT WEIGHT: 5.33kg



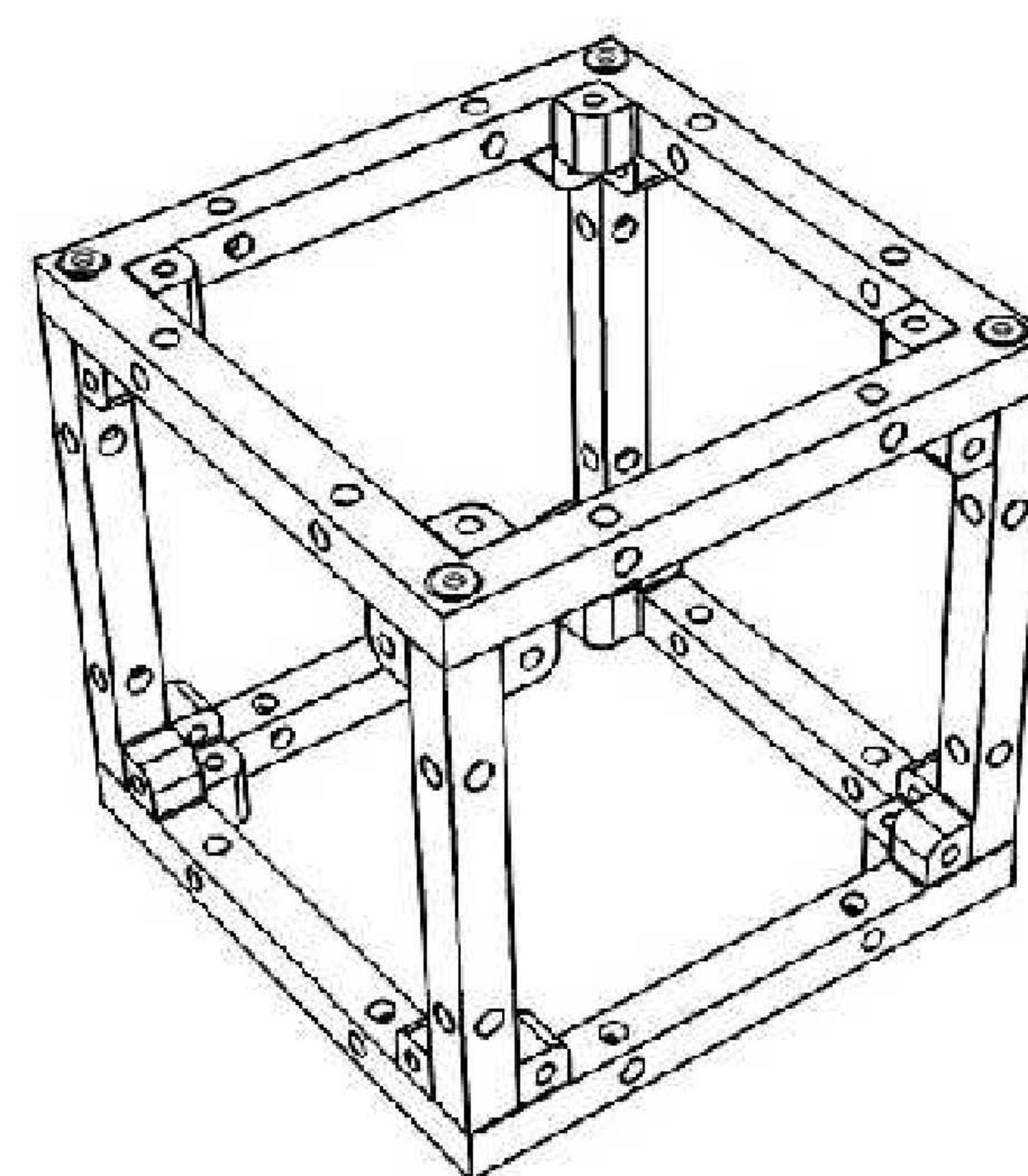
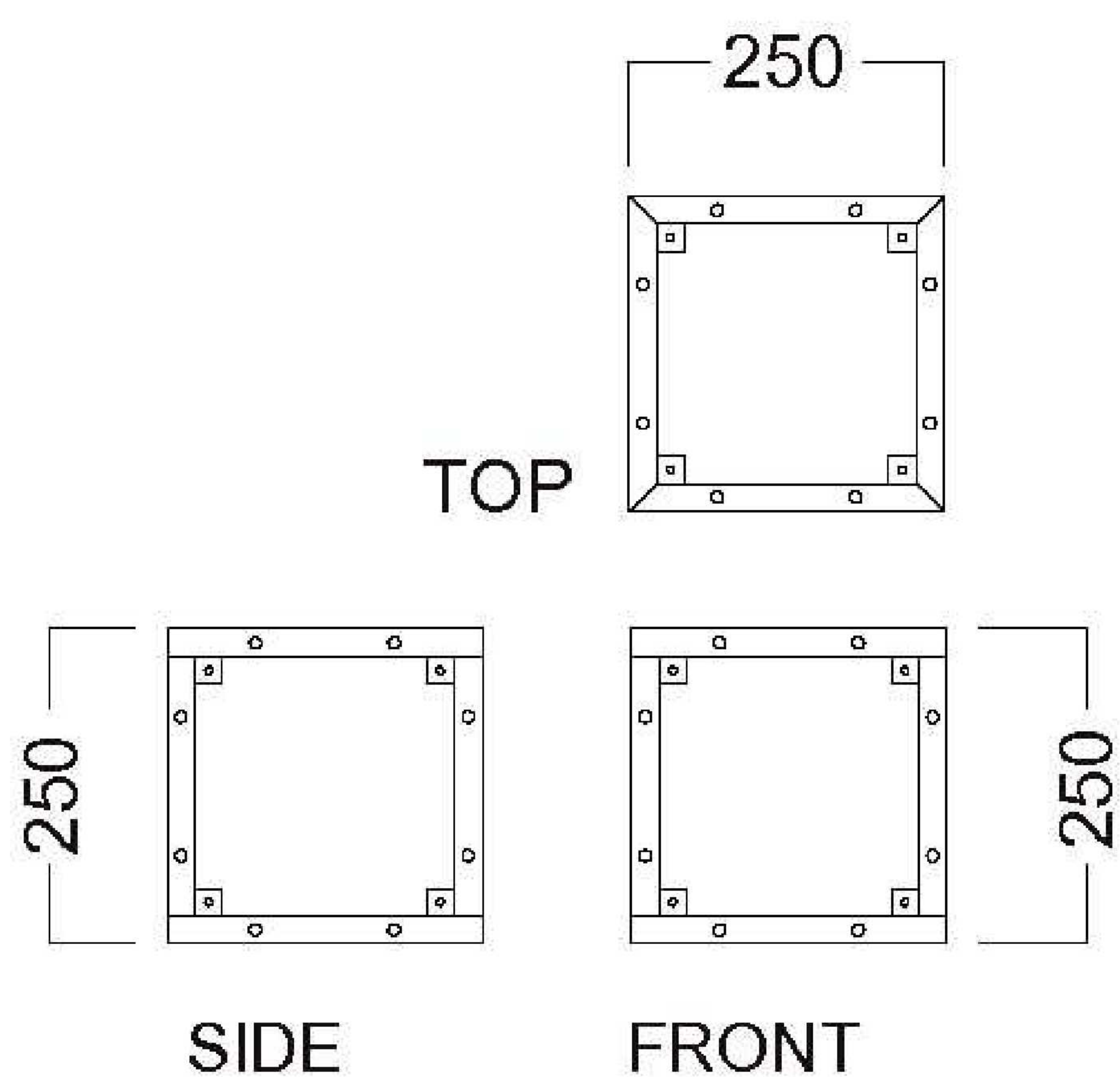
The size of the finishing materials



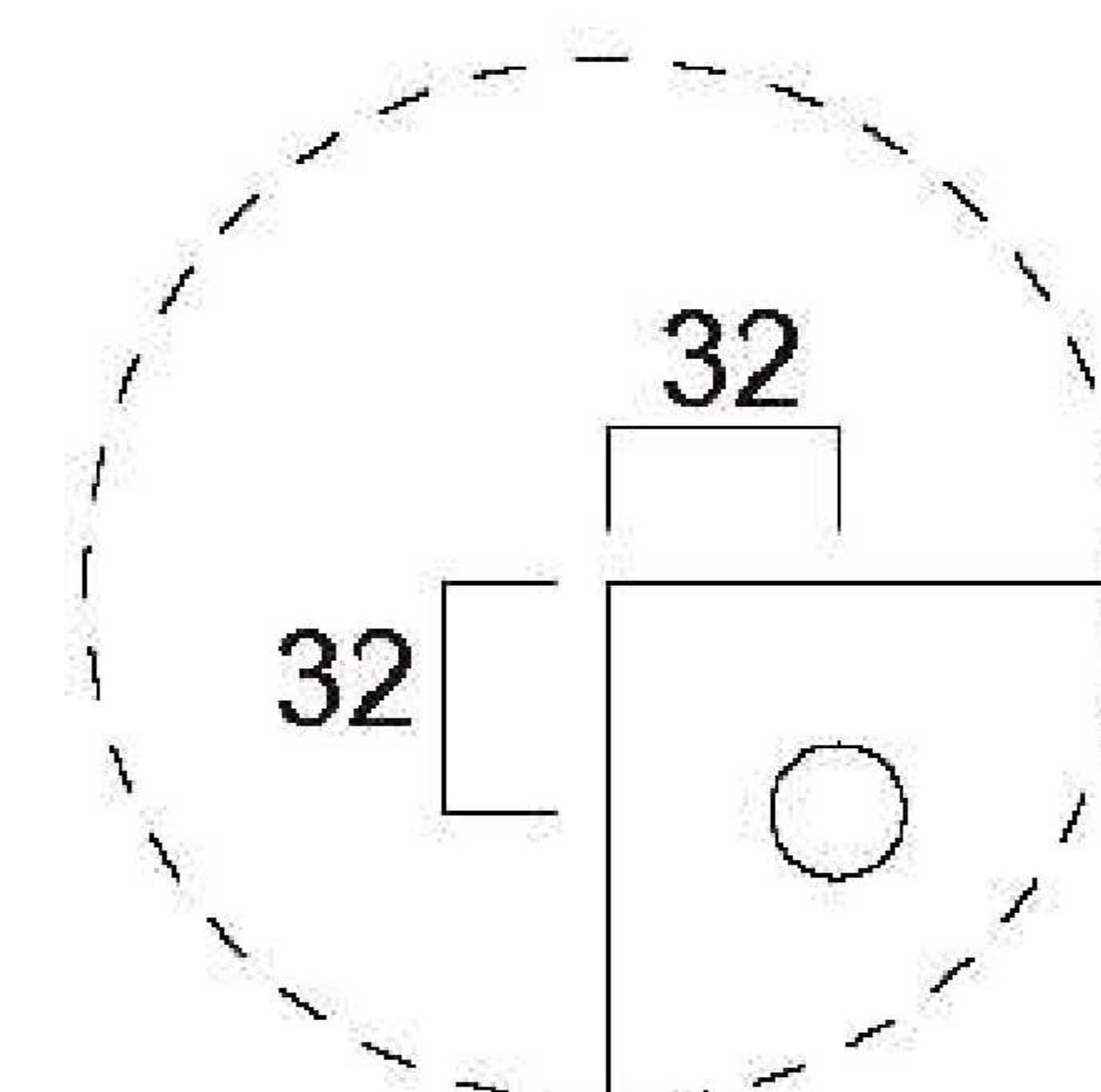
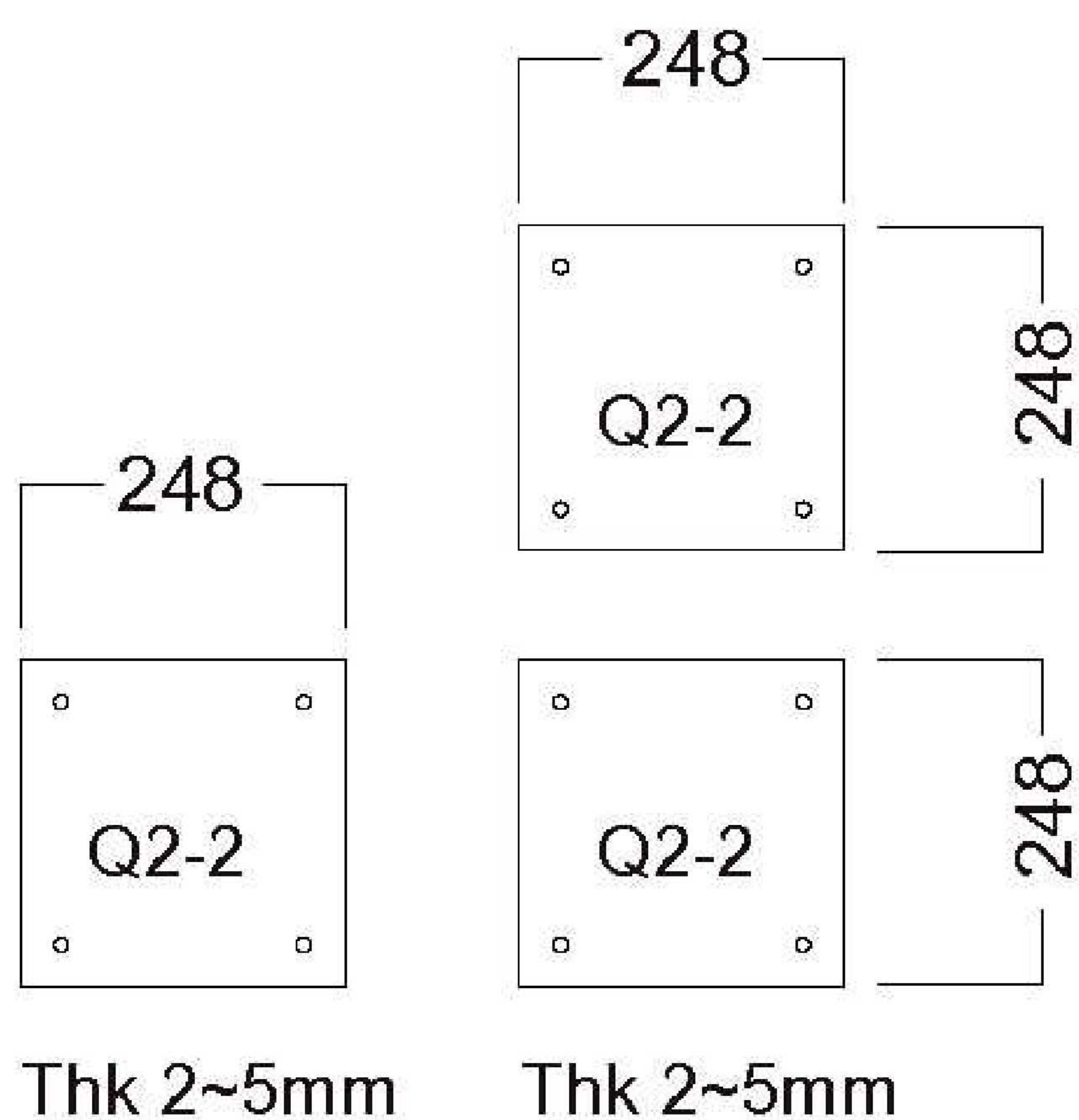
T-wave D250

Podo International Corp.
Worldwide Solution

MATERIAL: ALLOY/A6061-T5
SURFACE FINISHING: BUFFING
SIZE: 250x250(h)x250mm
UNIT WEIGHT: 2.6kg



The size of the finishing materials

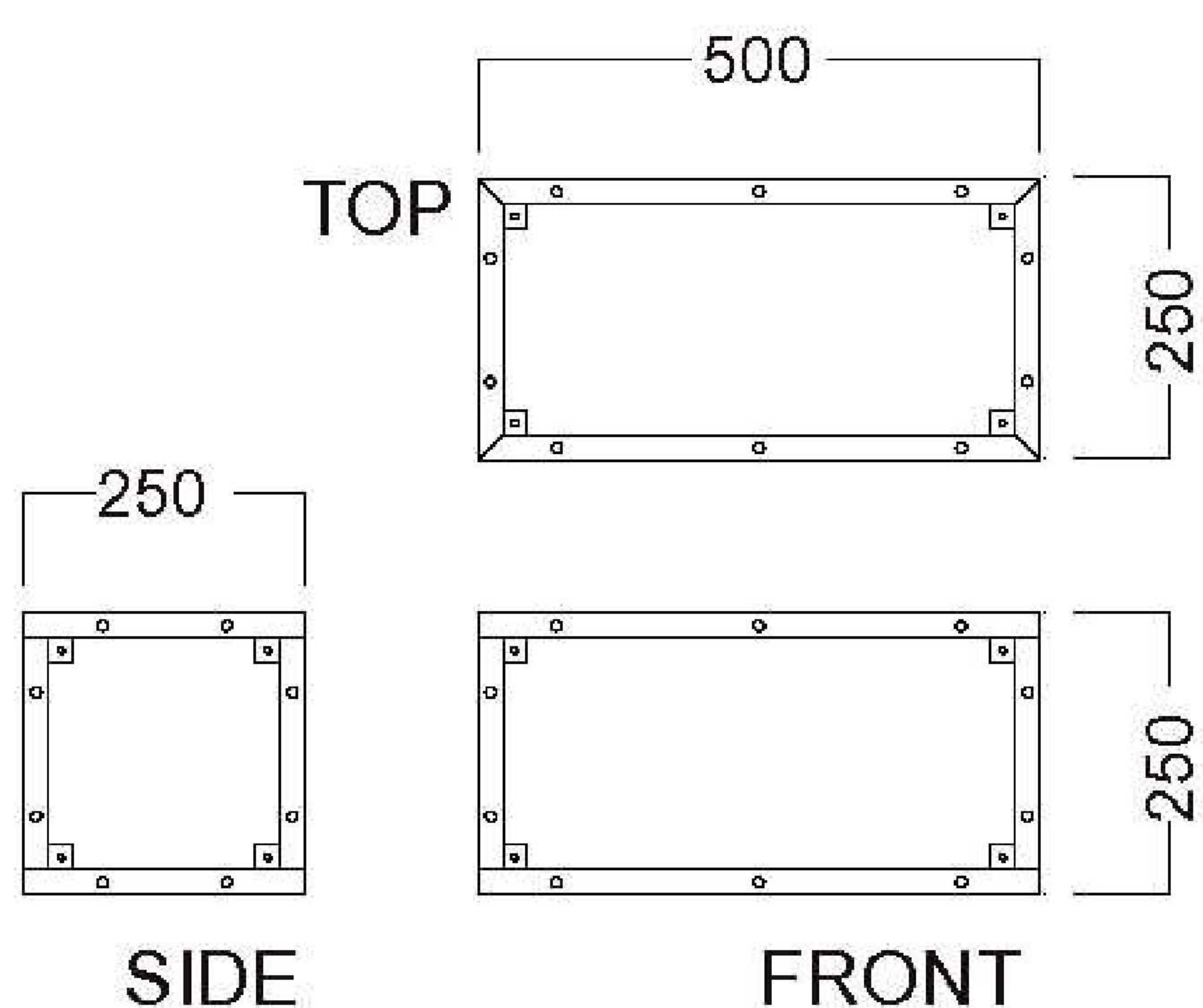
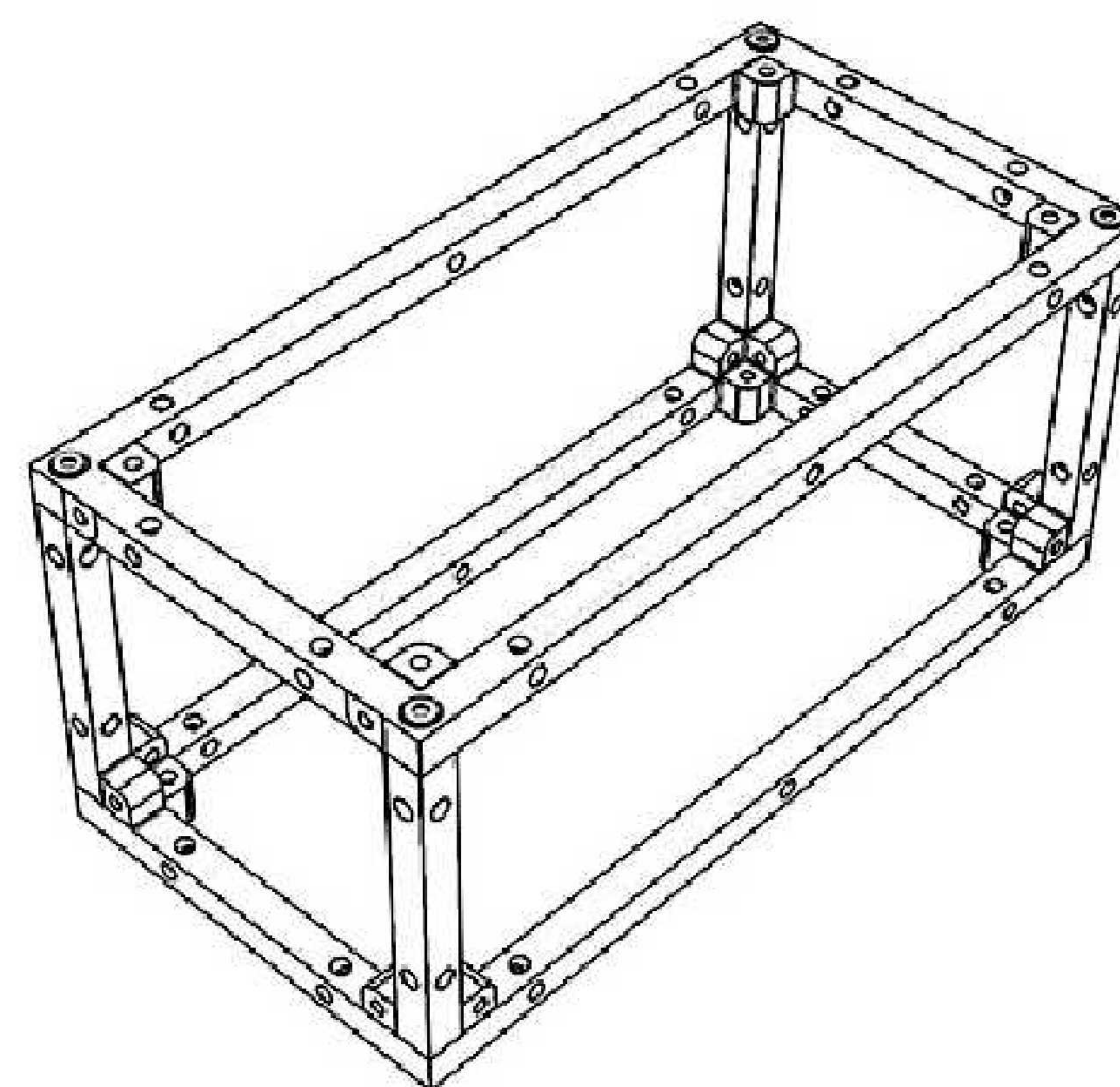


Standard Size
HOLE Ø11

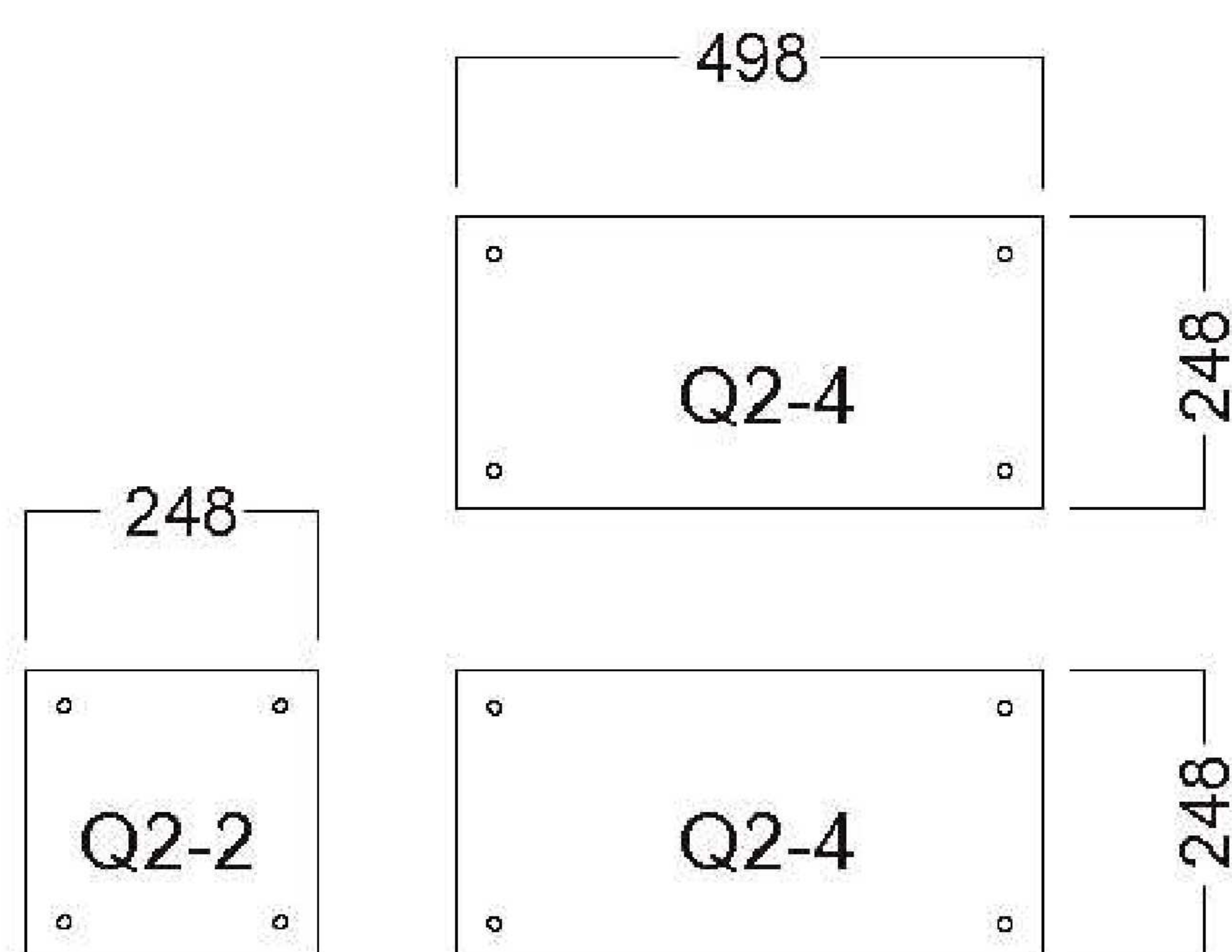
T-wave D500

Podo International Corp.
Worldwide Solution

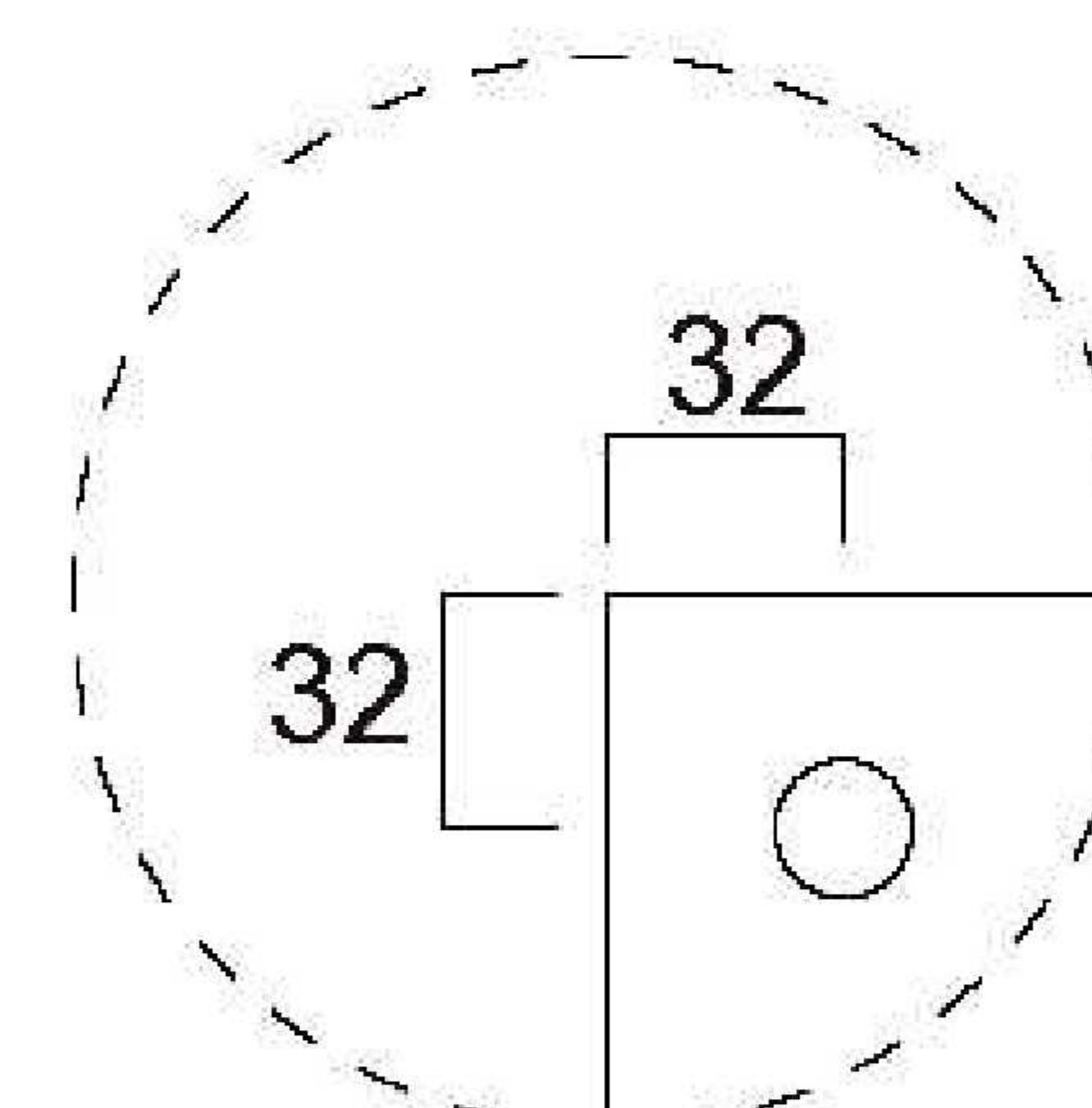
MATERIAL: ALLOY/A6061-T5
SURFACE FINISHING: BUFFING
SIZE: 500x250(h)x250mm
UNIT WEIGHT: 3.18kg



The size of the finishing materials



Thk 2~5mm Thk 2~5mm

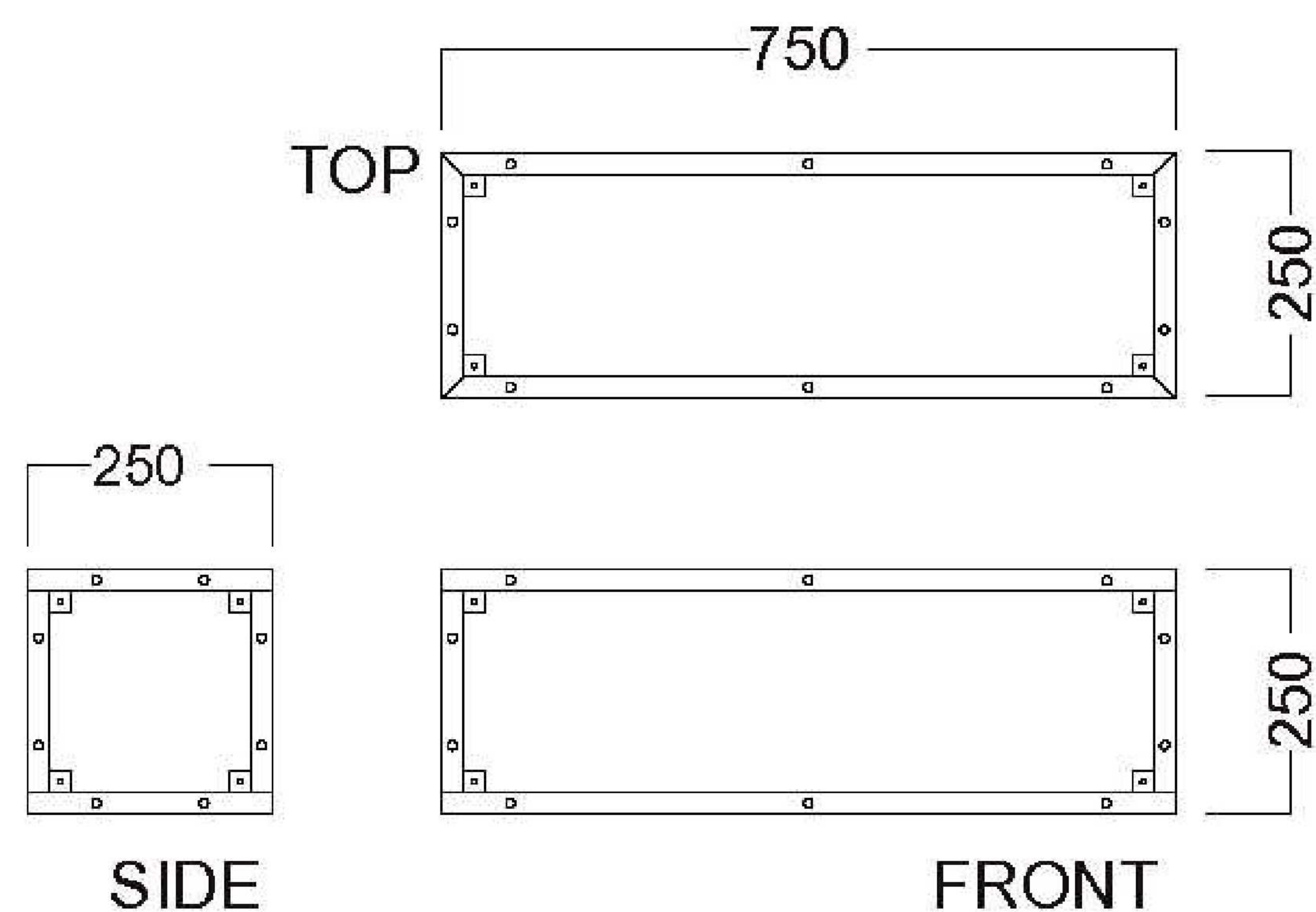
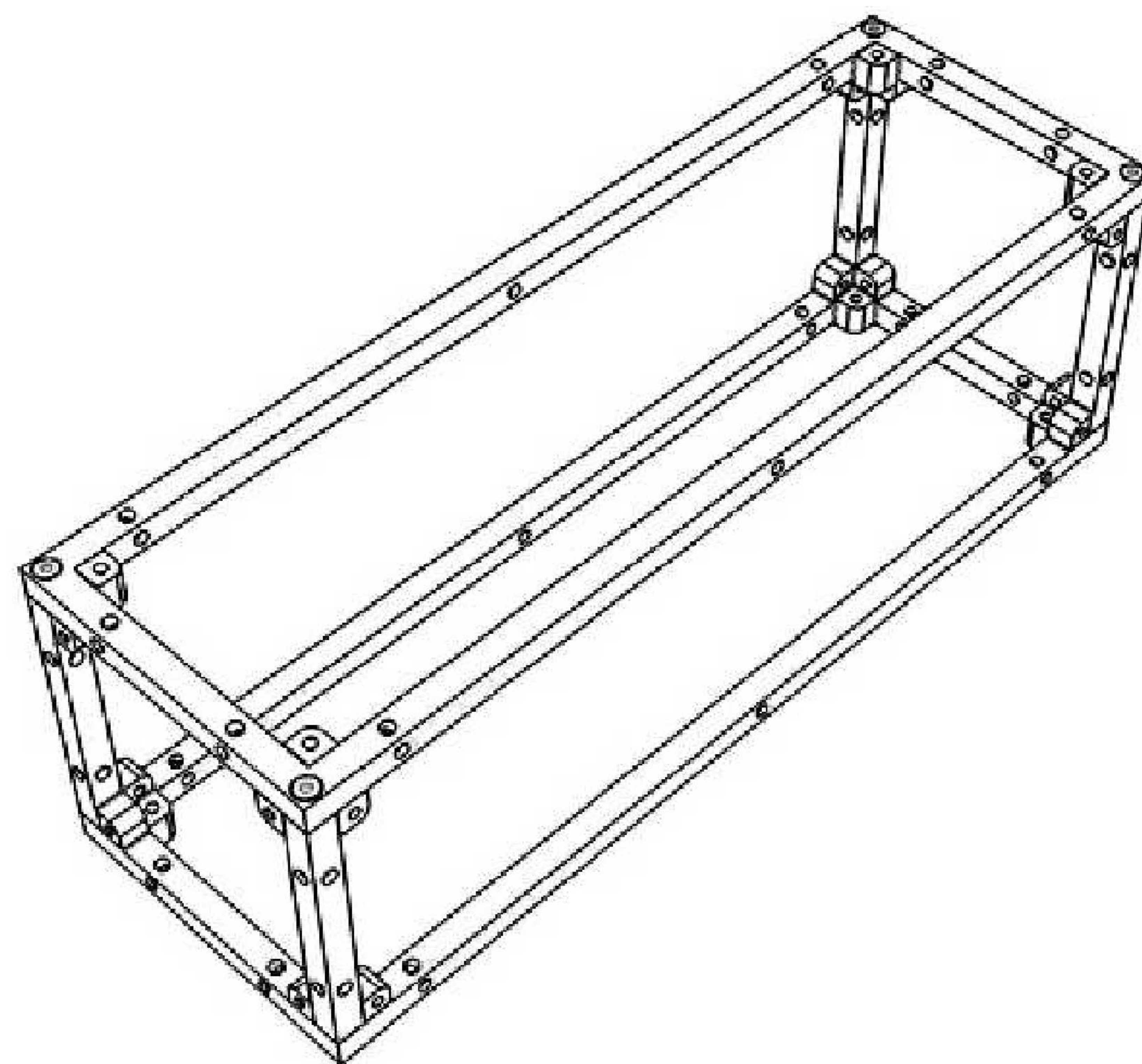


Standard Size
HOLE $\varnothing 11$

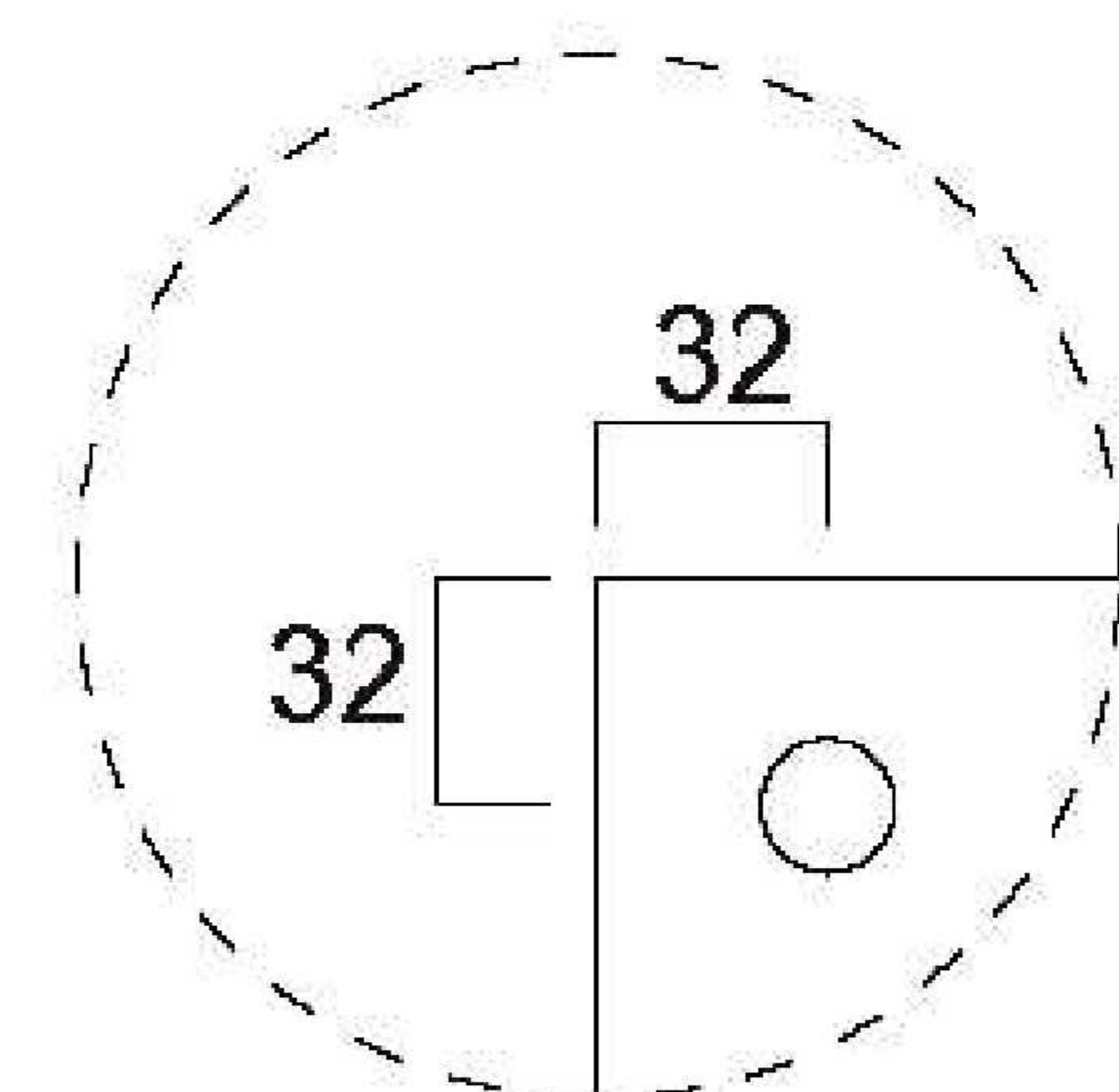
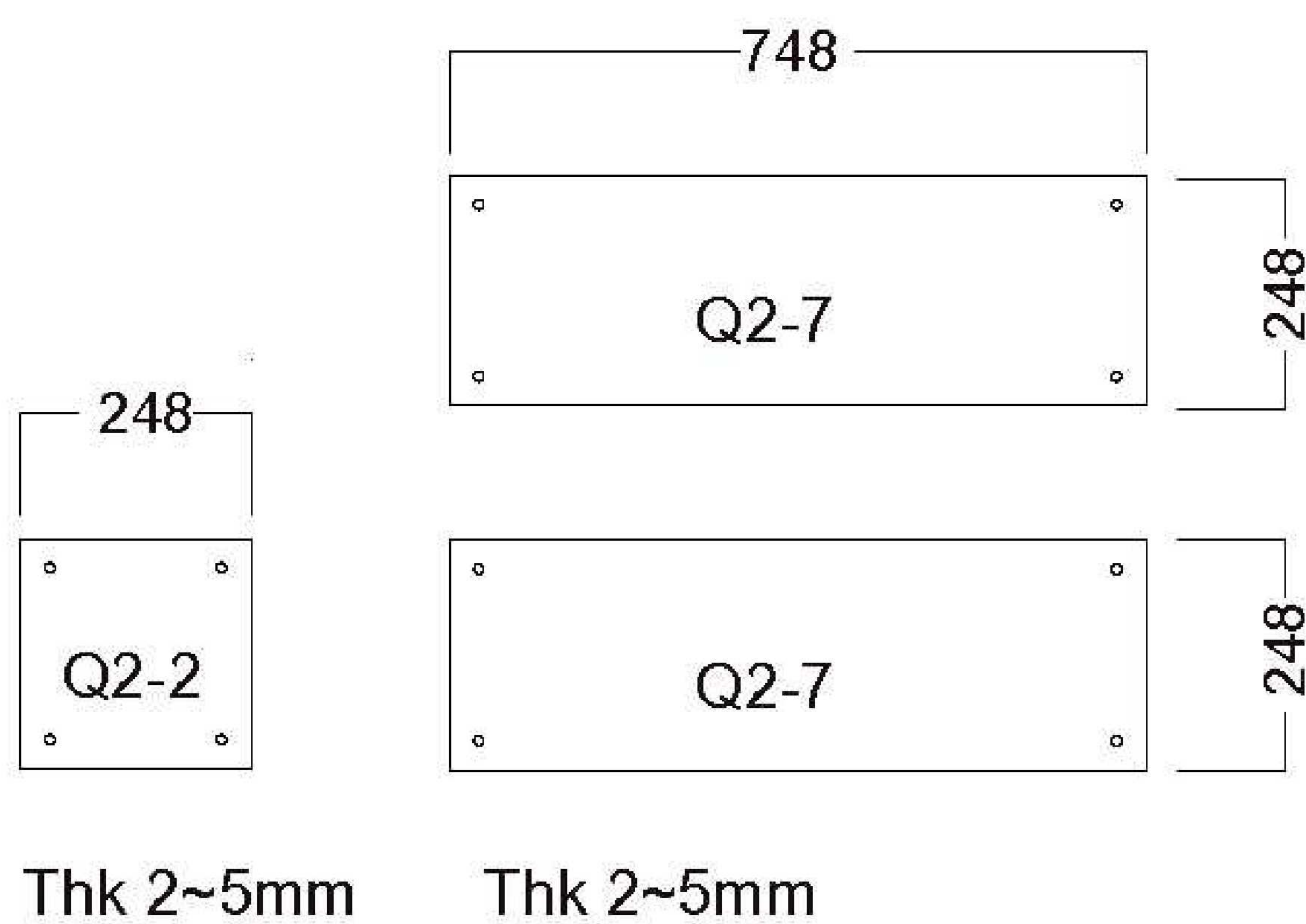
T-wave D750

Podo International Corp.
Worldwide Solution

MATERIAL: ALLOY/A6061-T5
SURFACE FINISHING: BUFFING
SIZE: 750x250(h)x250mm
UNIT WEIGHT: 3.82kg



The size of the finishing materials

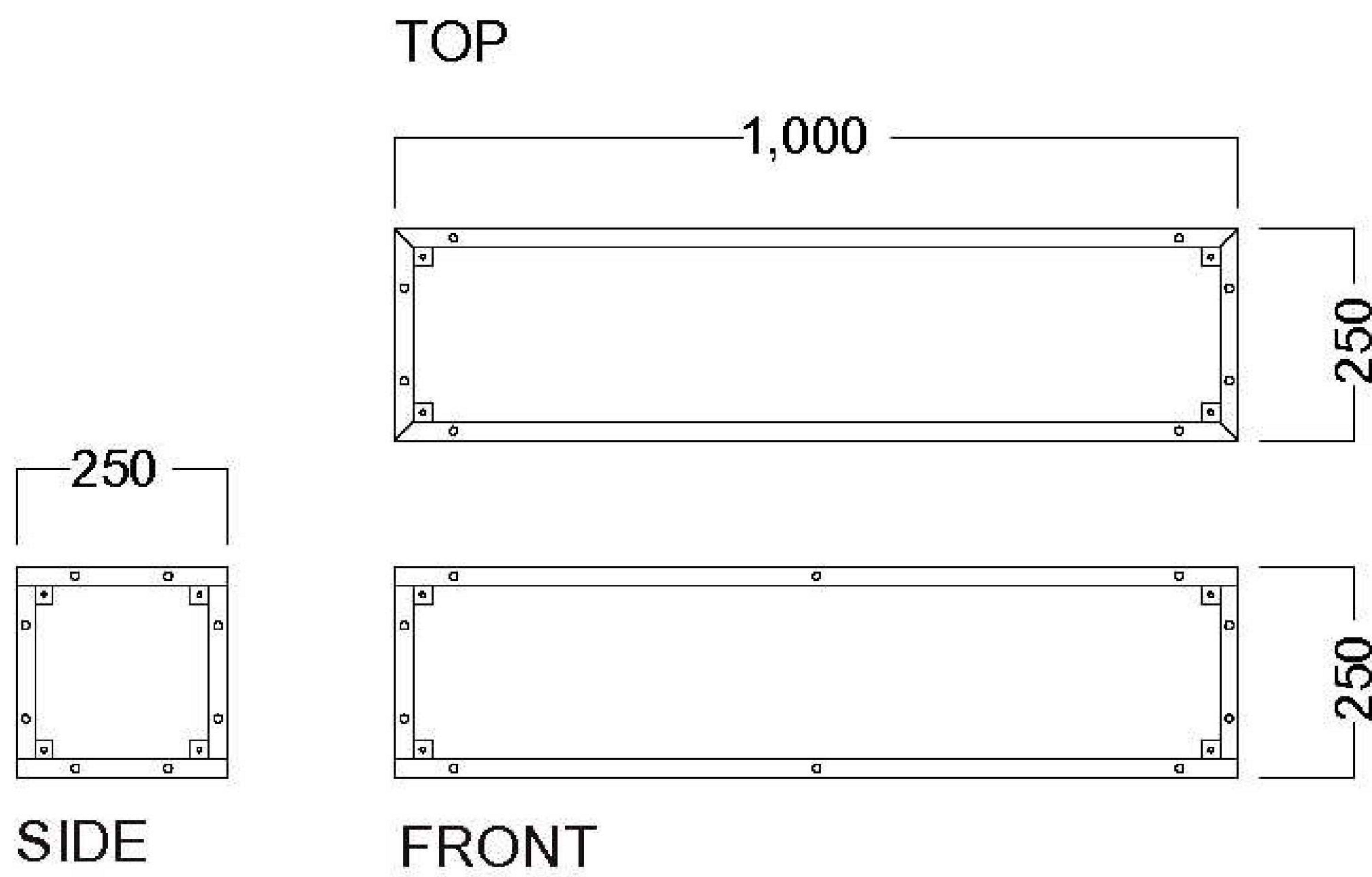
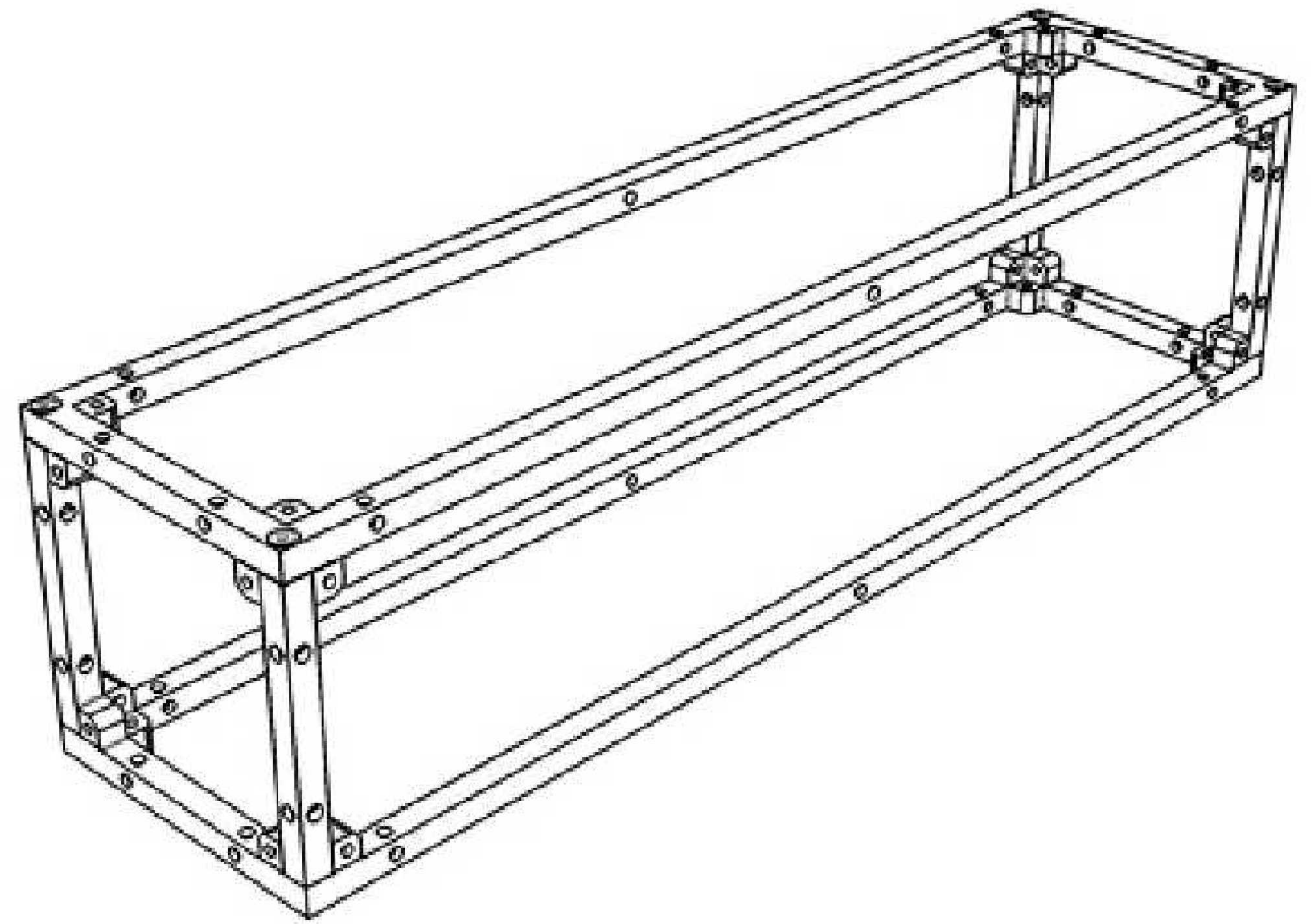


Standard Size
HOLE Ø11

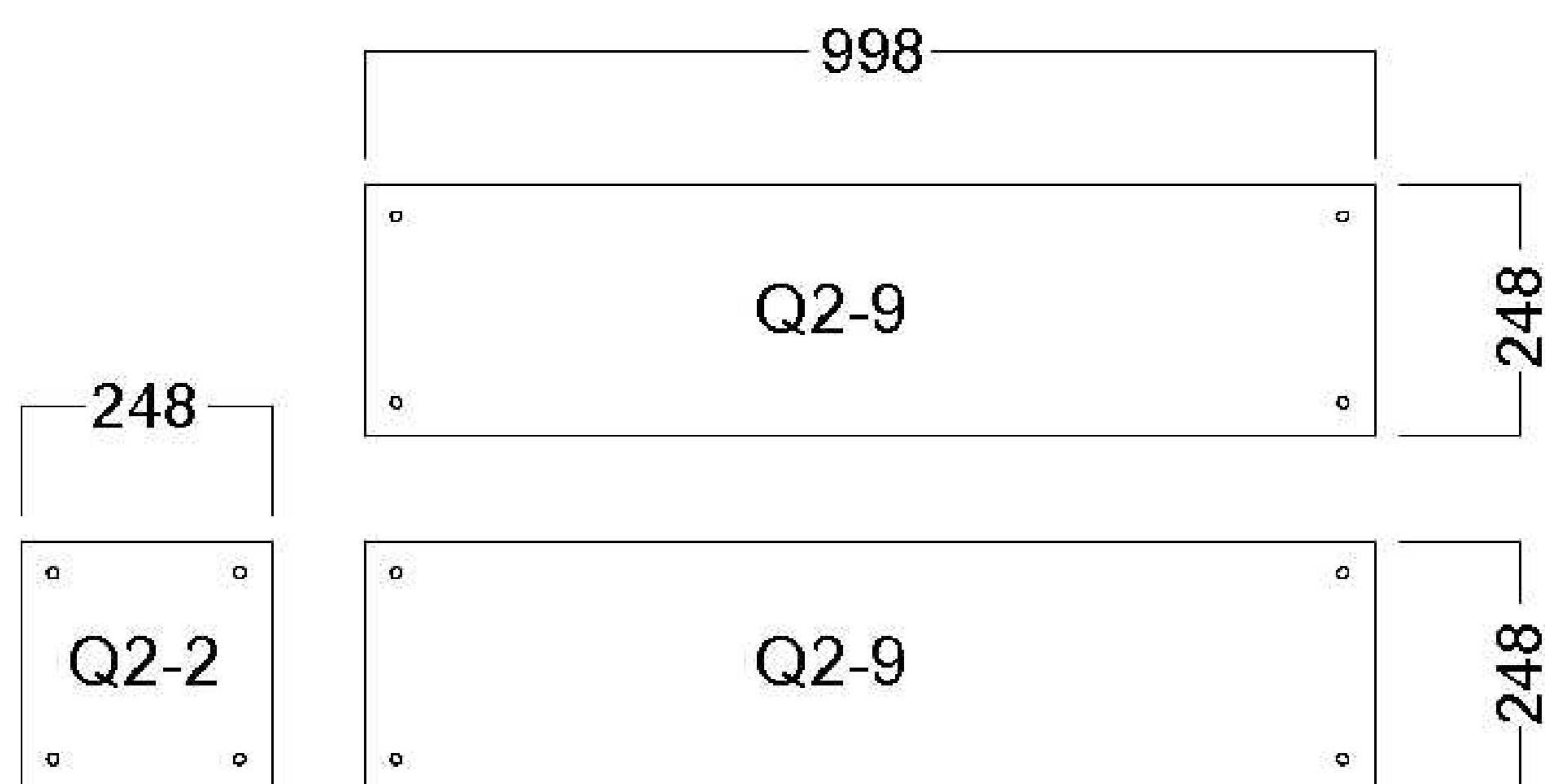
T-wave D1000

Podo International Corp.
Worldwide Solution

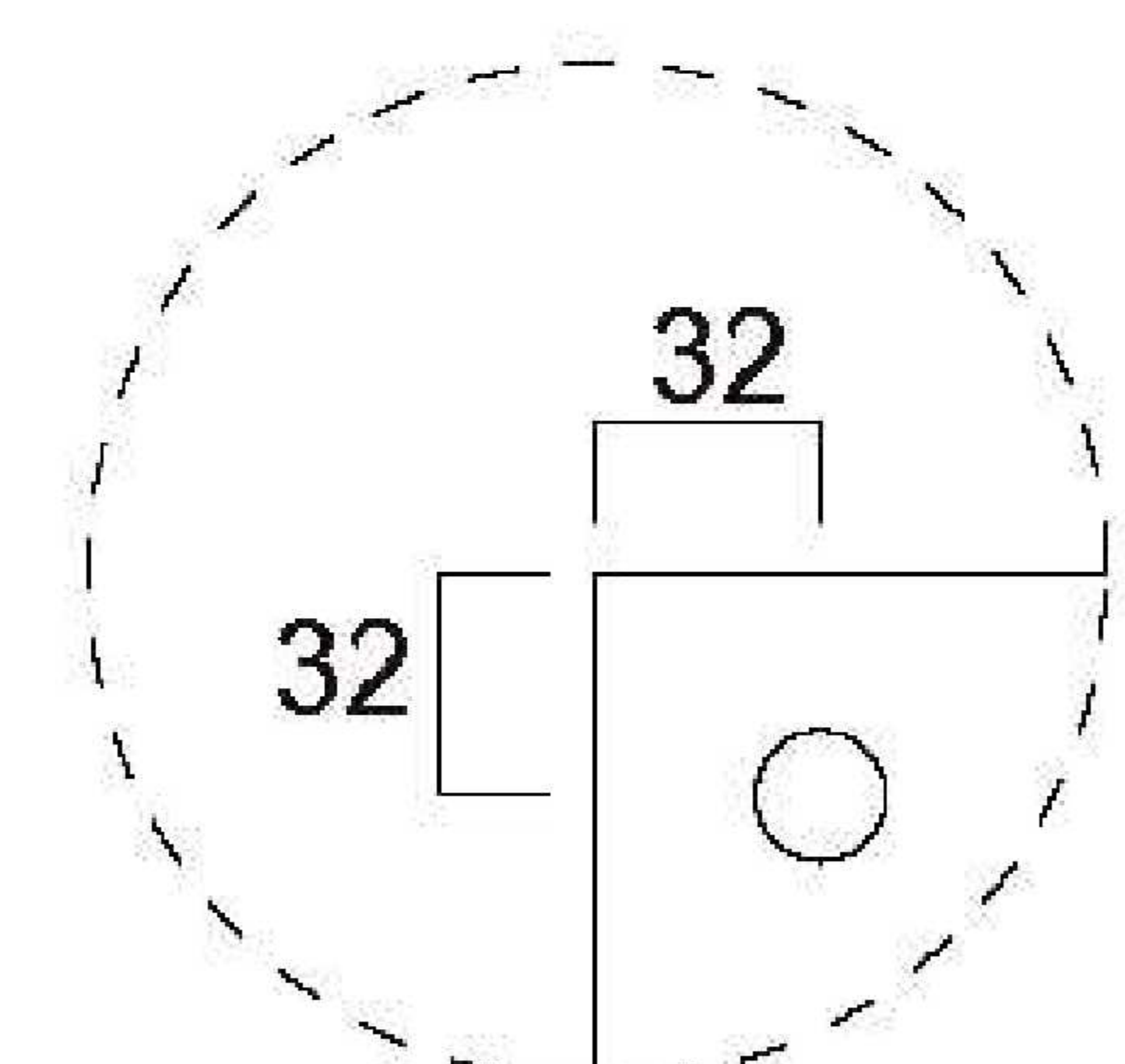
MATERIAL: ALLOY/A6061-T5
SURFACE FINISHING: BUFFING
SIZE: 1000x250(h)x250mm
UNIT WEIGHT: 4.46kg



The size of the finishing materials



Thk 2~5mm

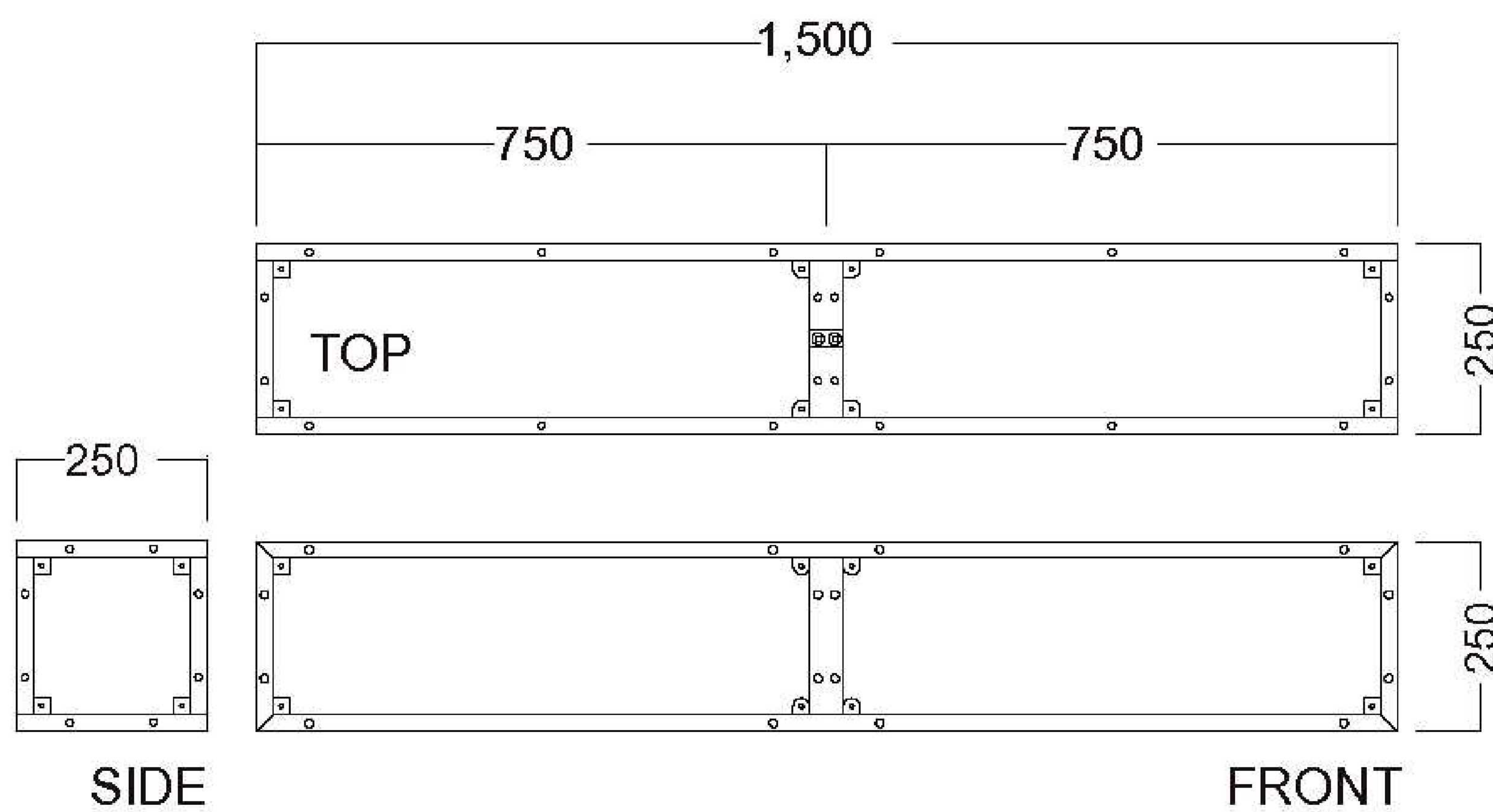
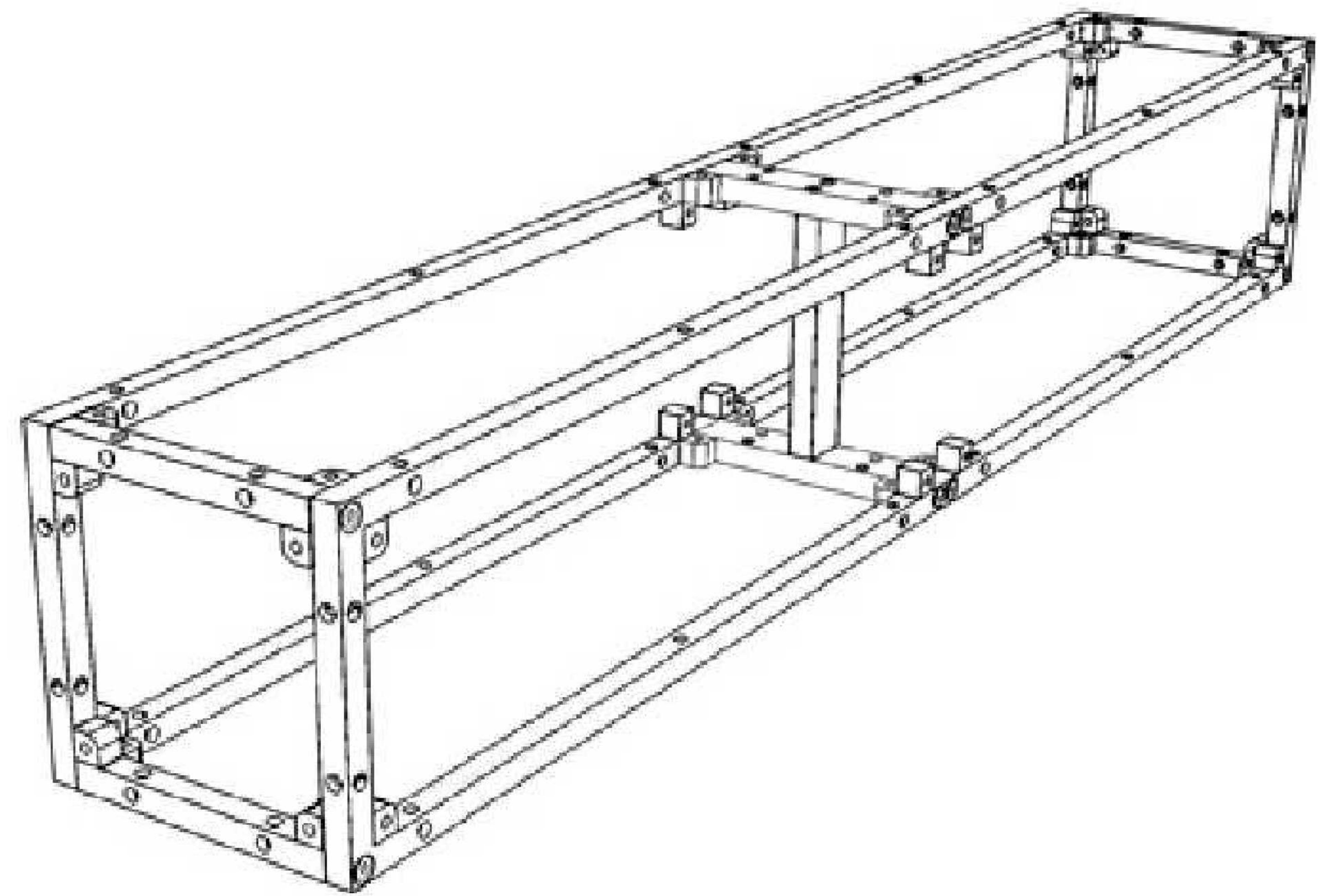


Standard Size
HOLE Ø11

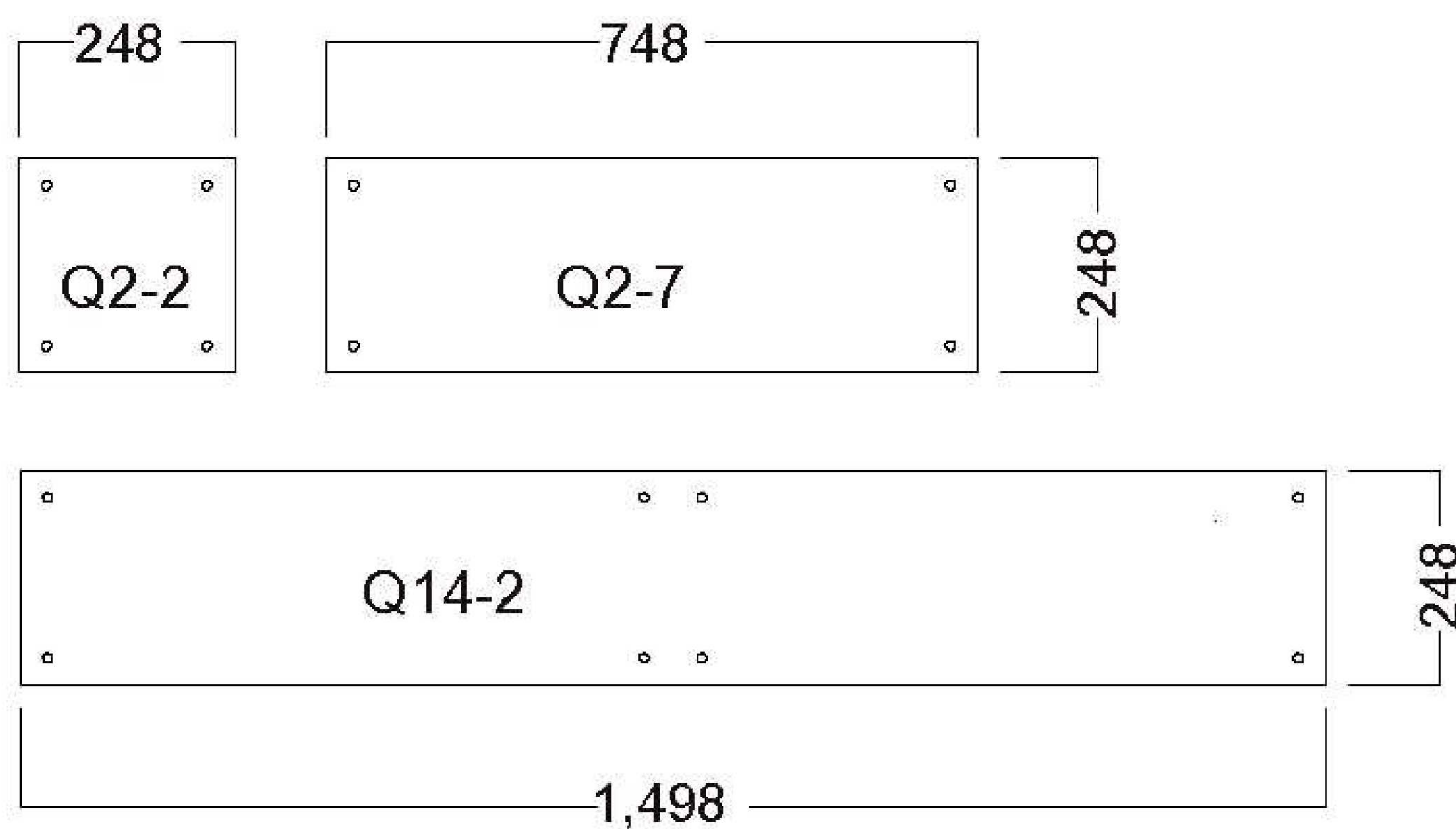
T-wave D1500

Podo International Corp.
Worldwide Solution

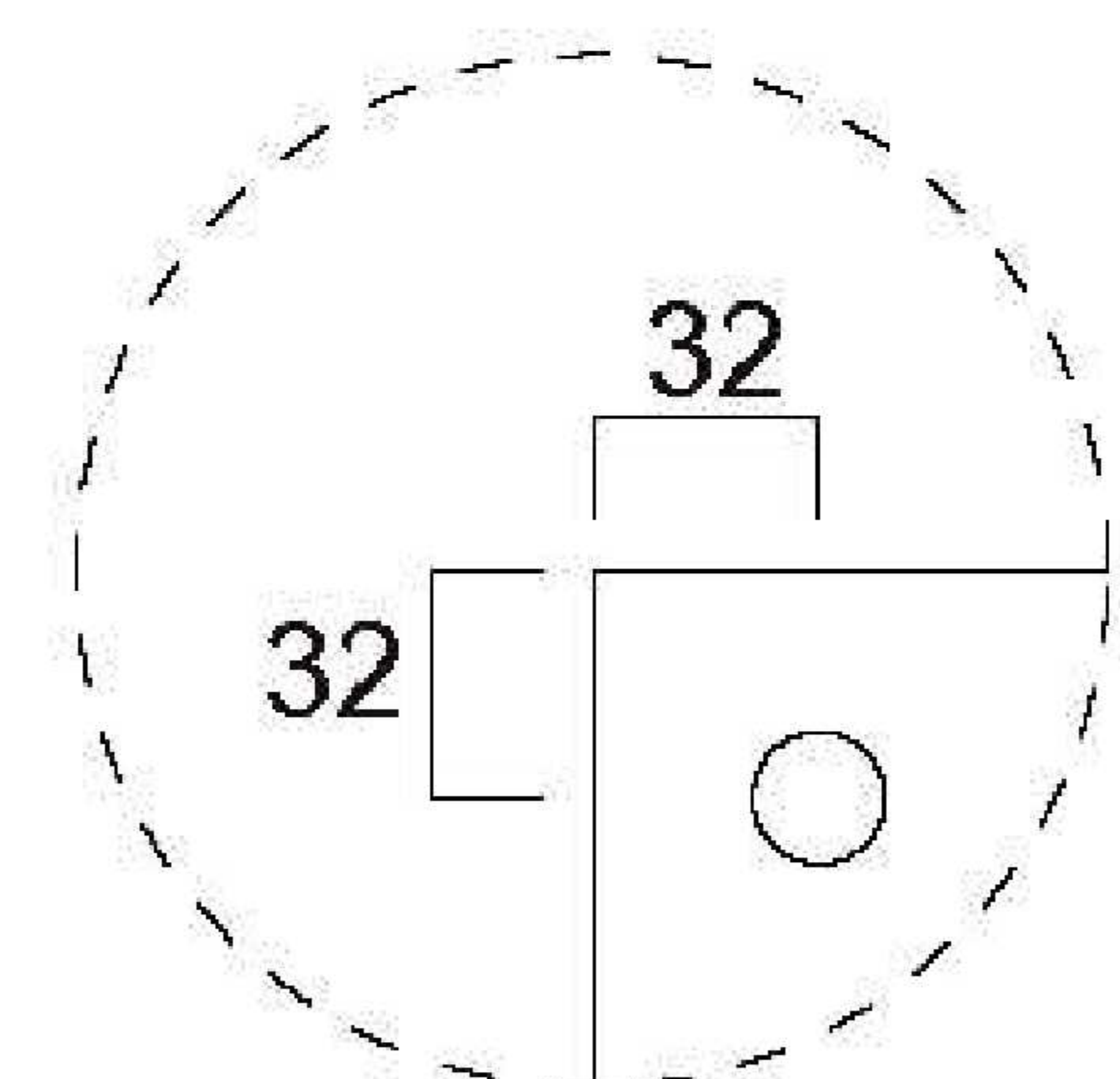
MATERIAL: ALLOY/A6061-T5
SURFACE FINISHING: BUFFING
SIZE: 1500x250(h)x250mm
UNIT WEIGHT: 7.34kg



The size of the finishing materials



Thk 2~5mm

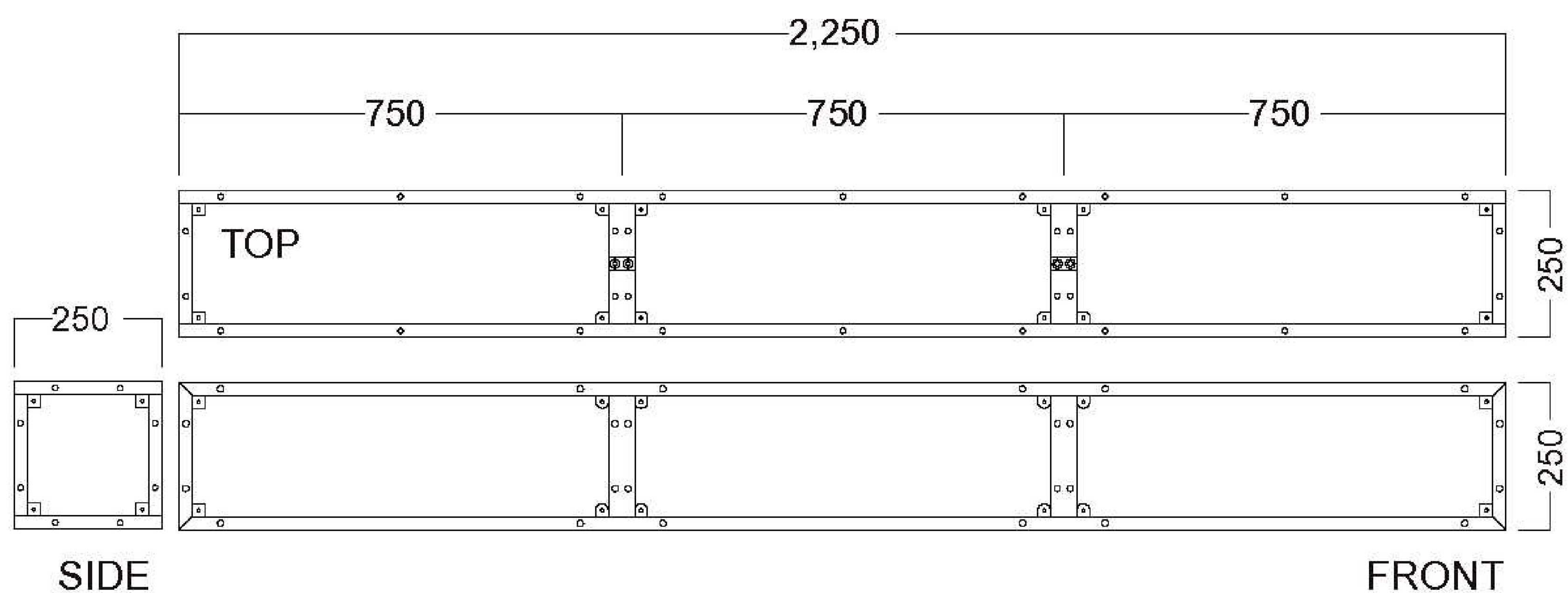
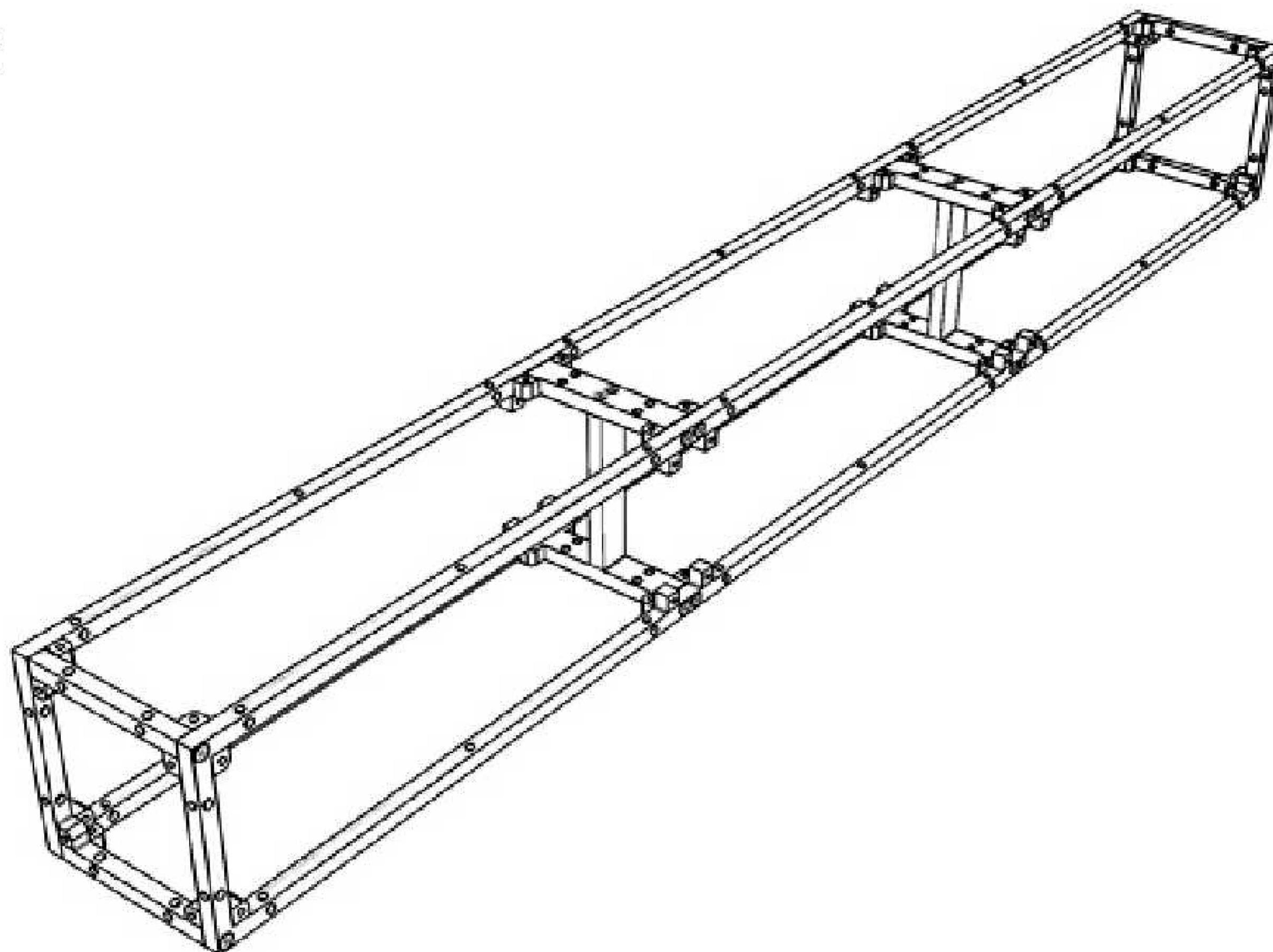


Standard Size
HOLE Ø11

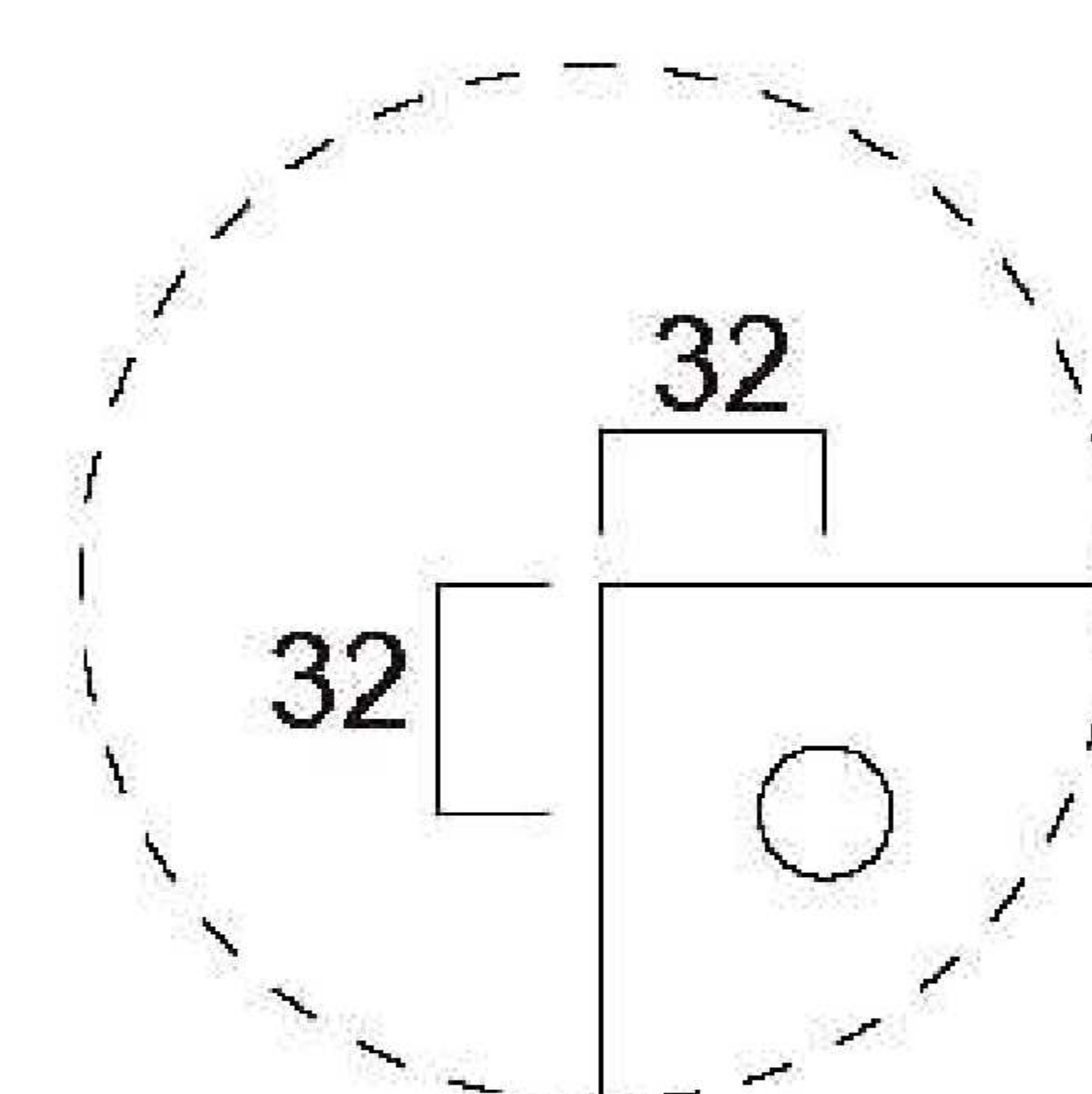
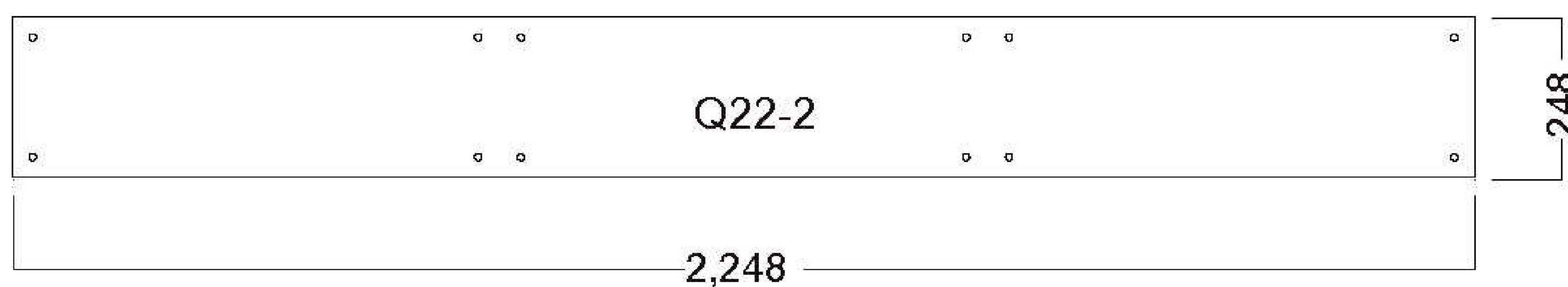
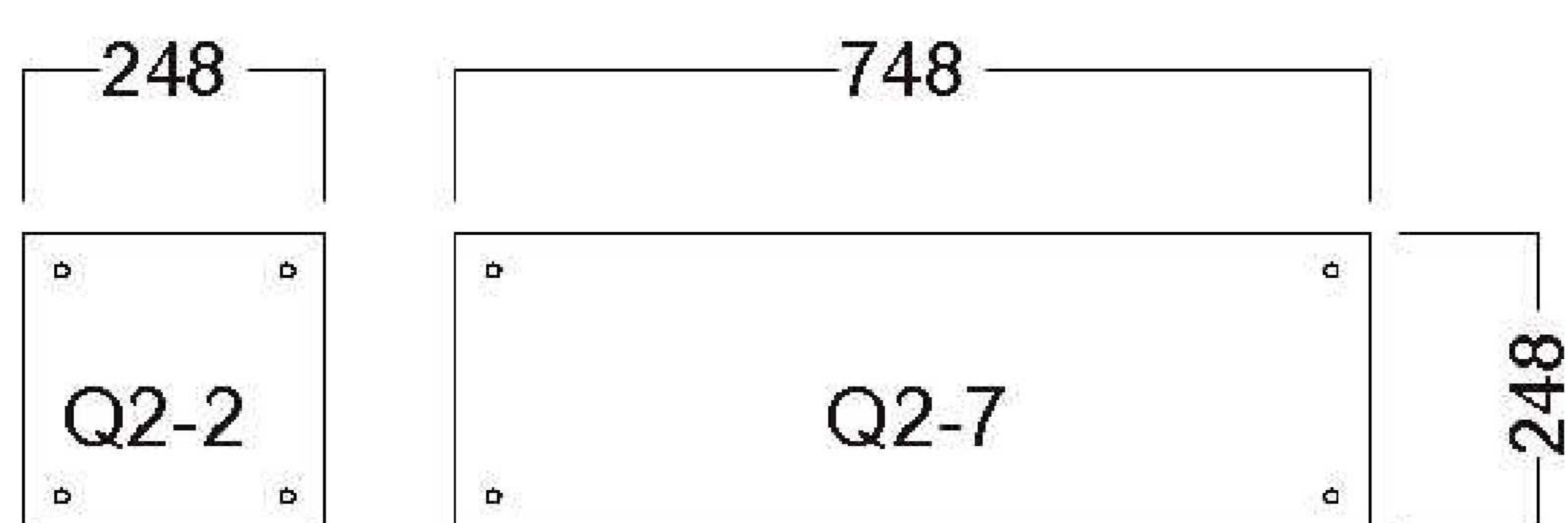
T-wave D2250

Podo International Corp.
Worldwide Solution

MATERIAL: ALLOY/A6061-T5
SURFACE FINISHING: BUFFING
SIZE: 2250x250(h)x250mm
UNIT WEIGHT: 11.28kg



The size of the finishing materials



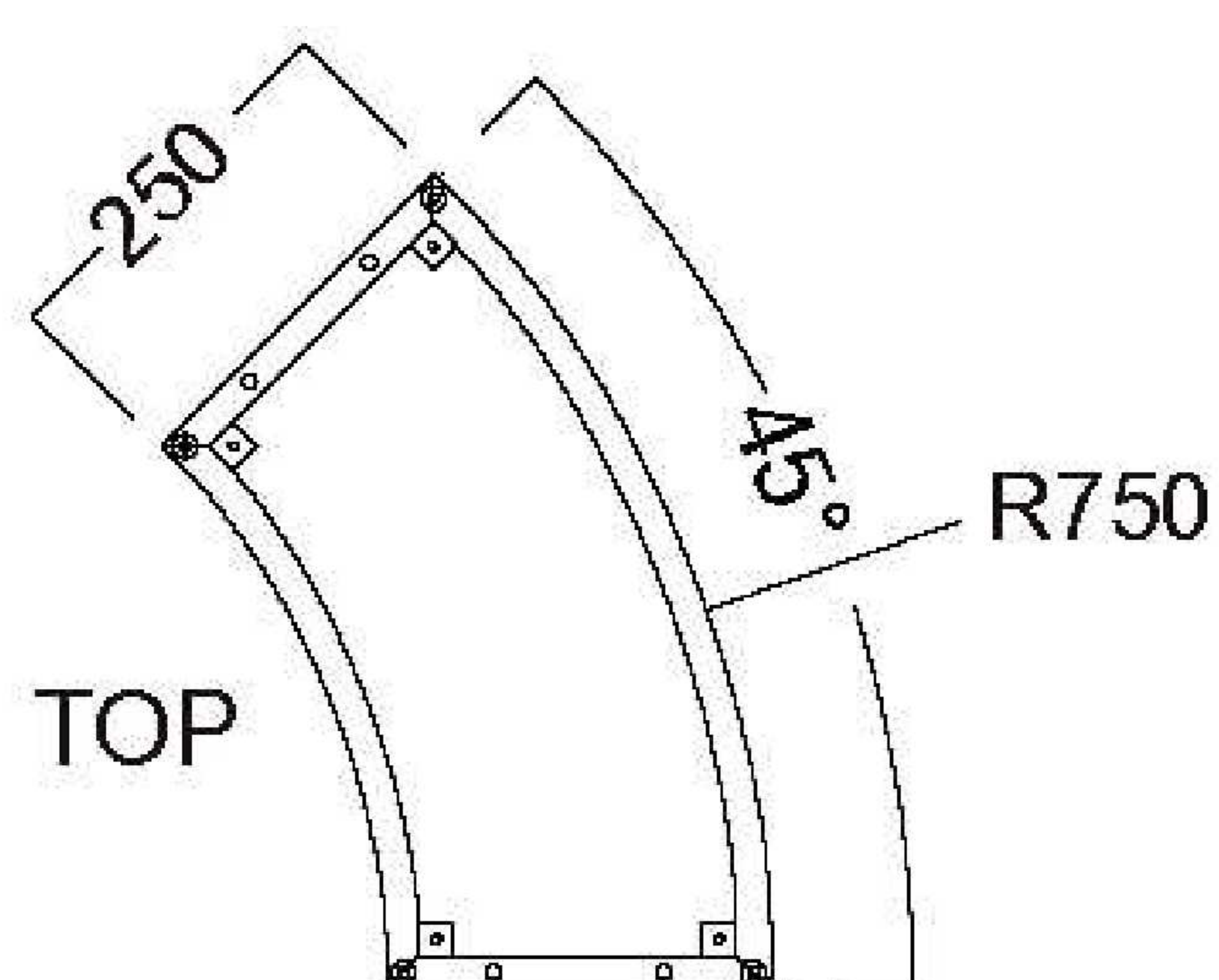
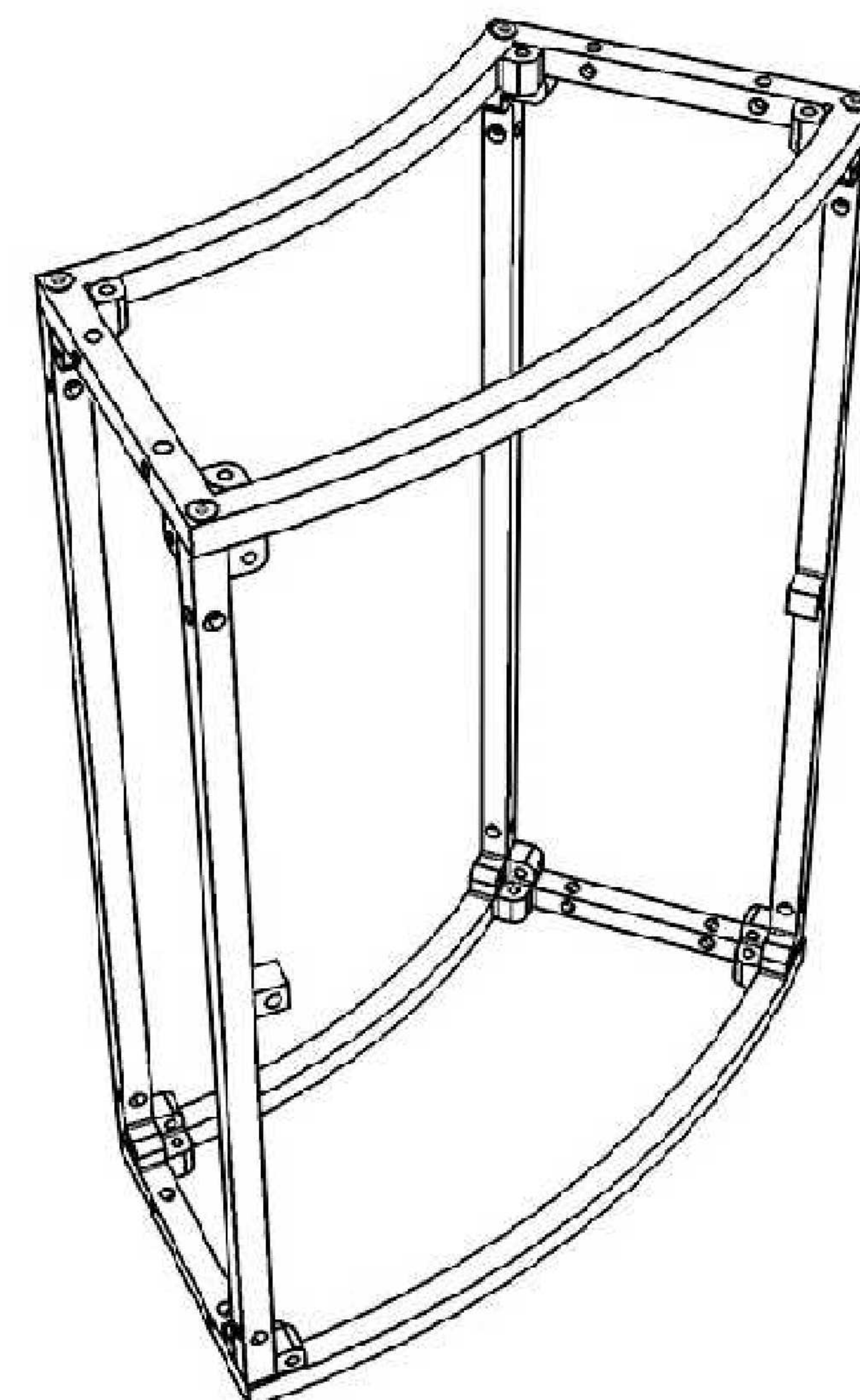
Standard Size
HOLE Ø11

Thk 2~5mm

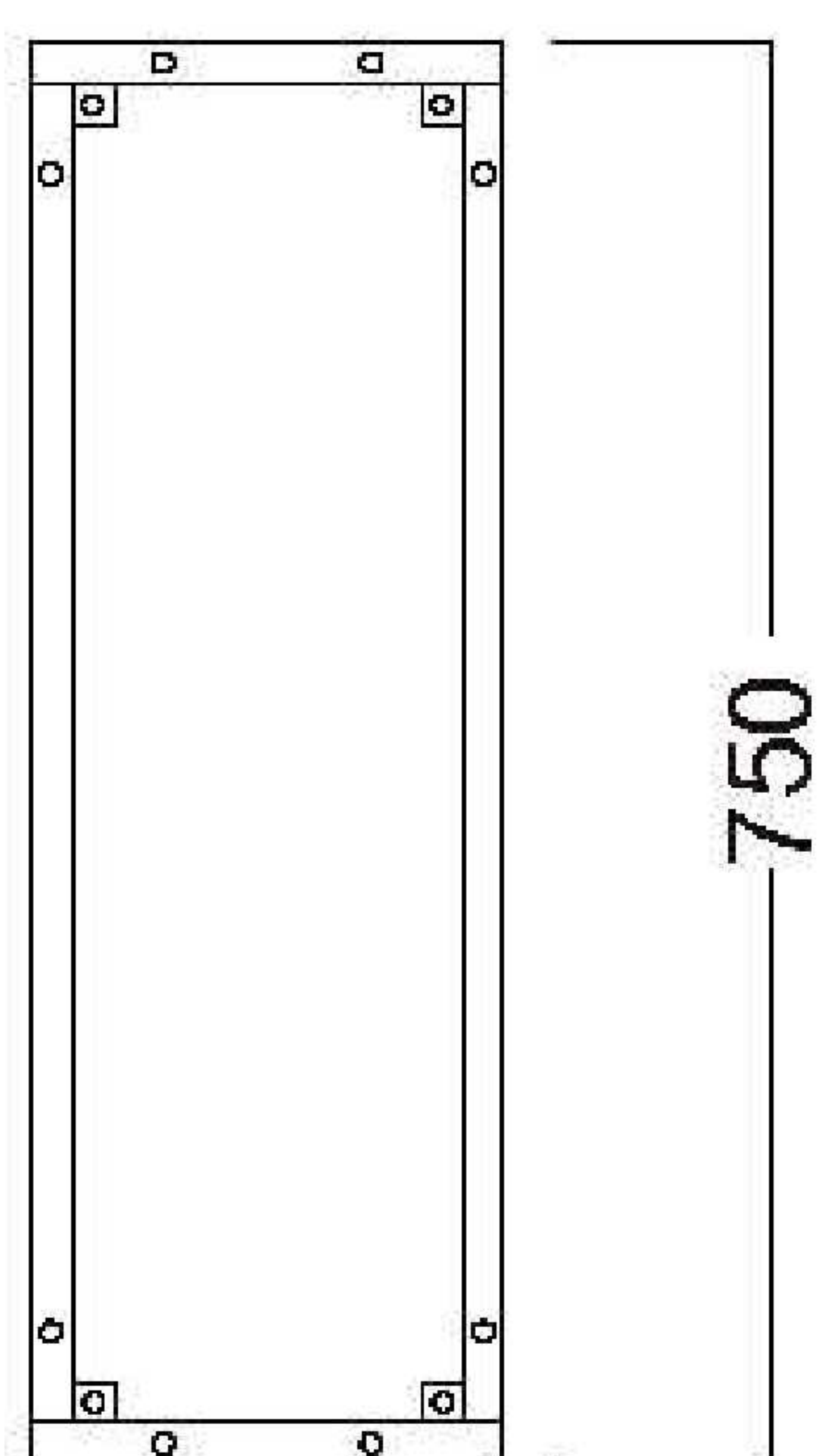
T-wave E750

Podo International Corp.
Worldwide Solution

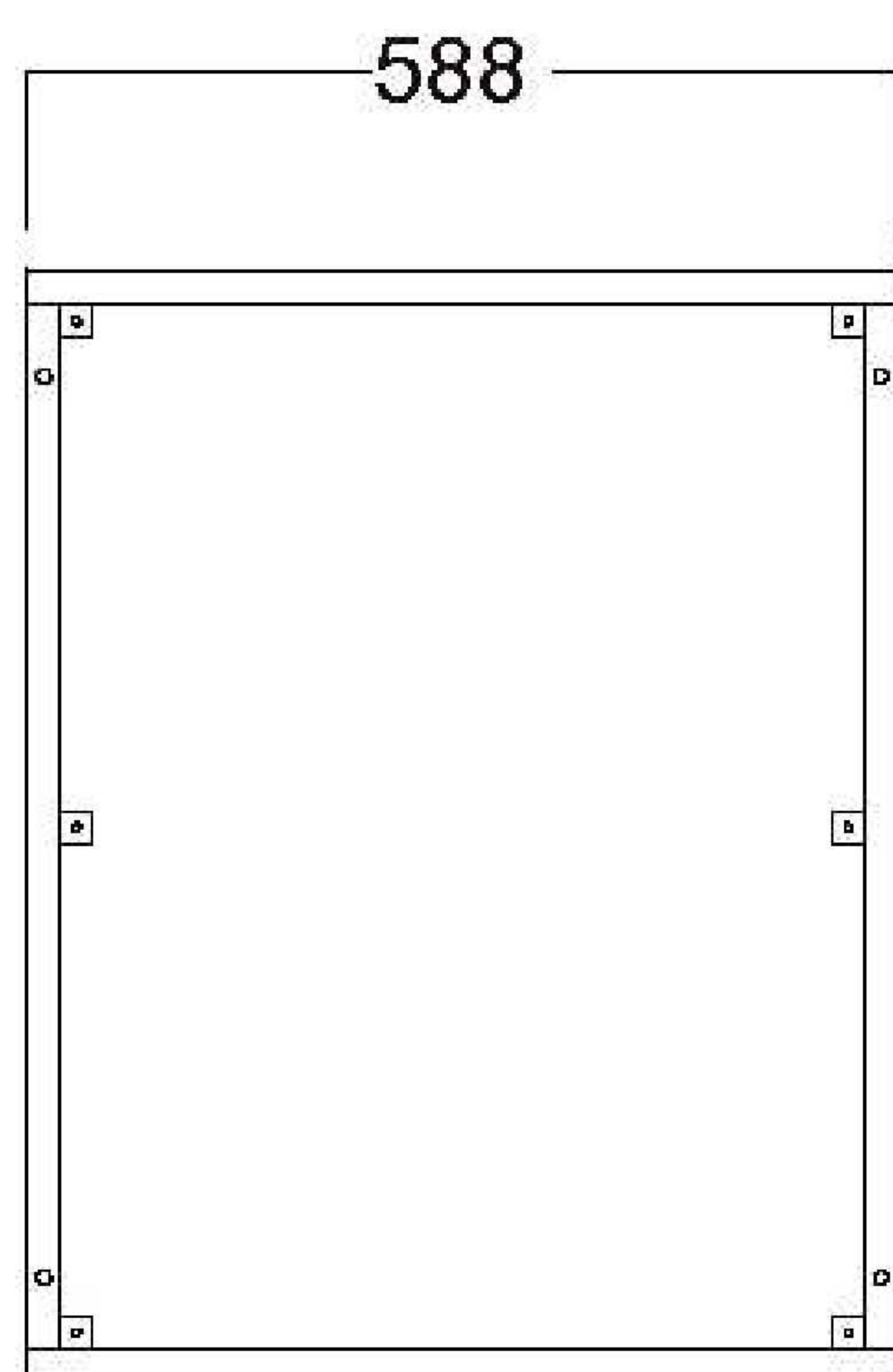
MATERIAL: ALLOY/A6061-T5
SURFACE FINISHING: BUFFING
SIZE: R750x750(h)x250mm
UNIT WEIGHT: 4.58kg



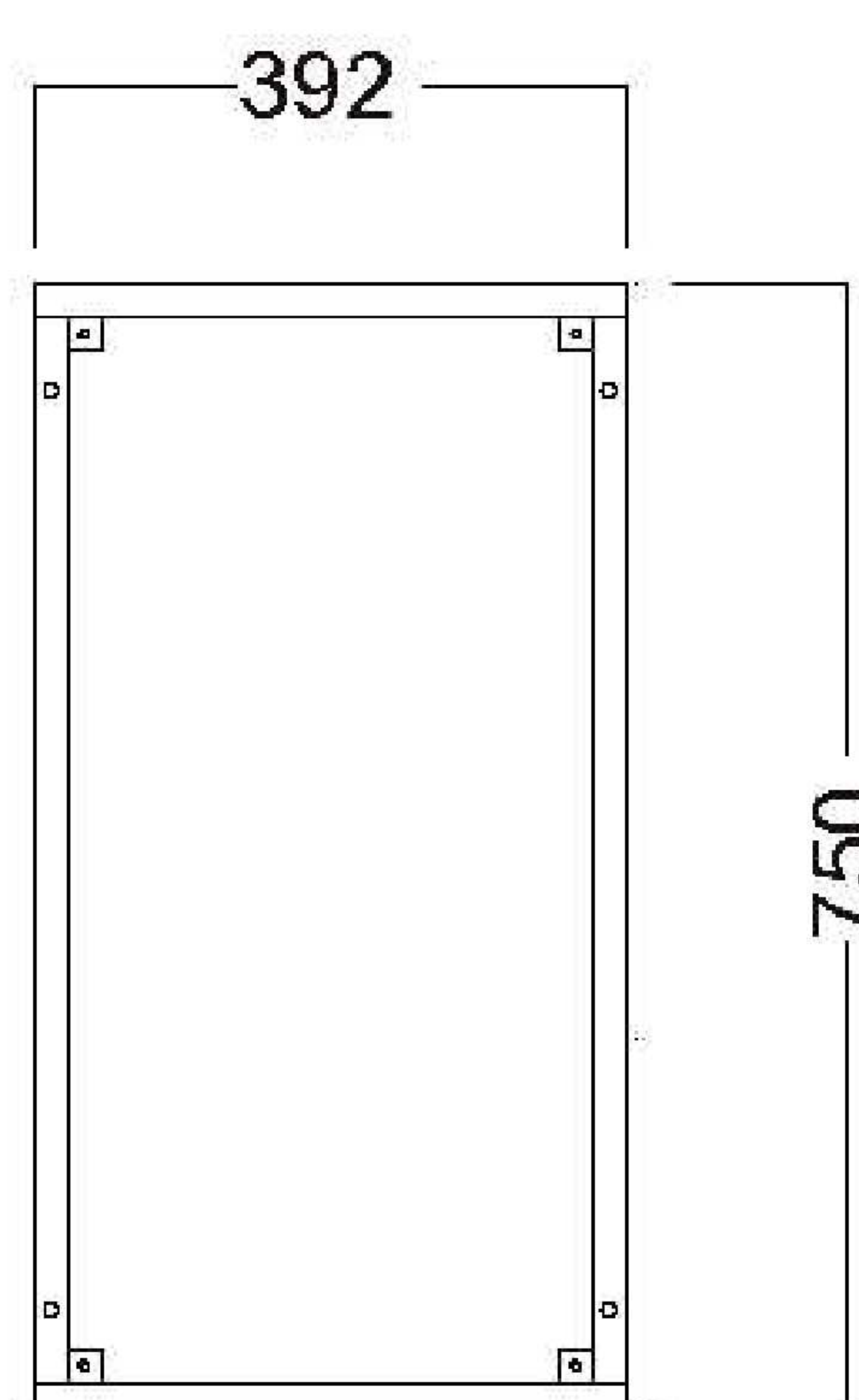
TOP



SIDE

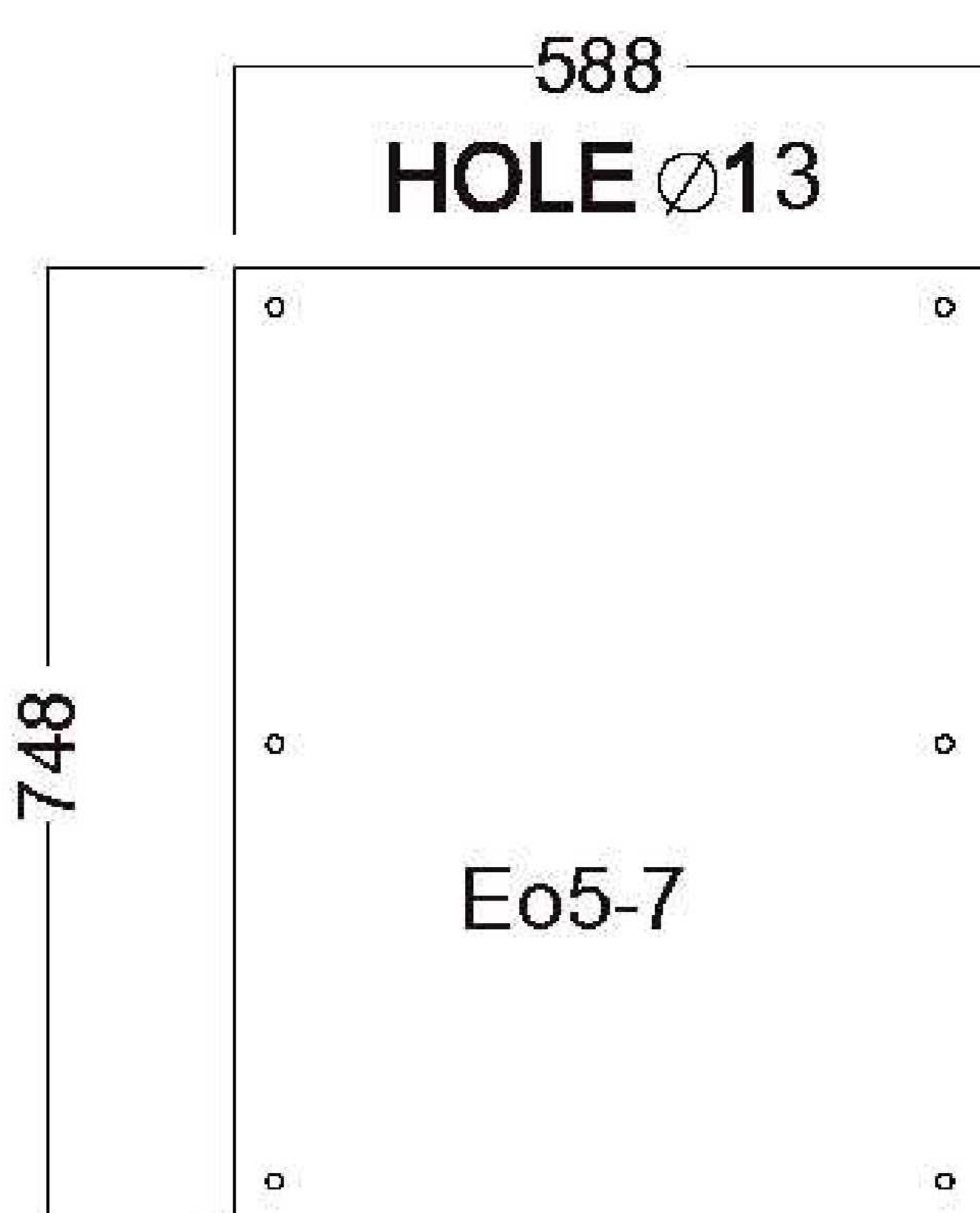


OUTSIDE-unfold

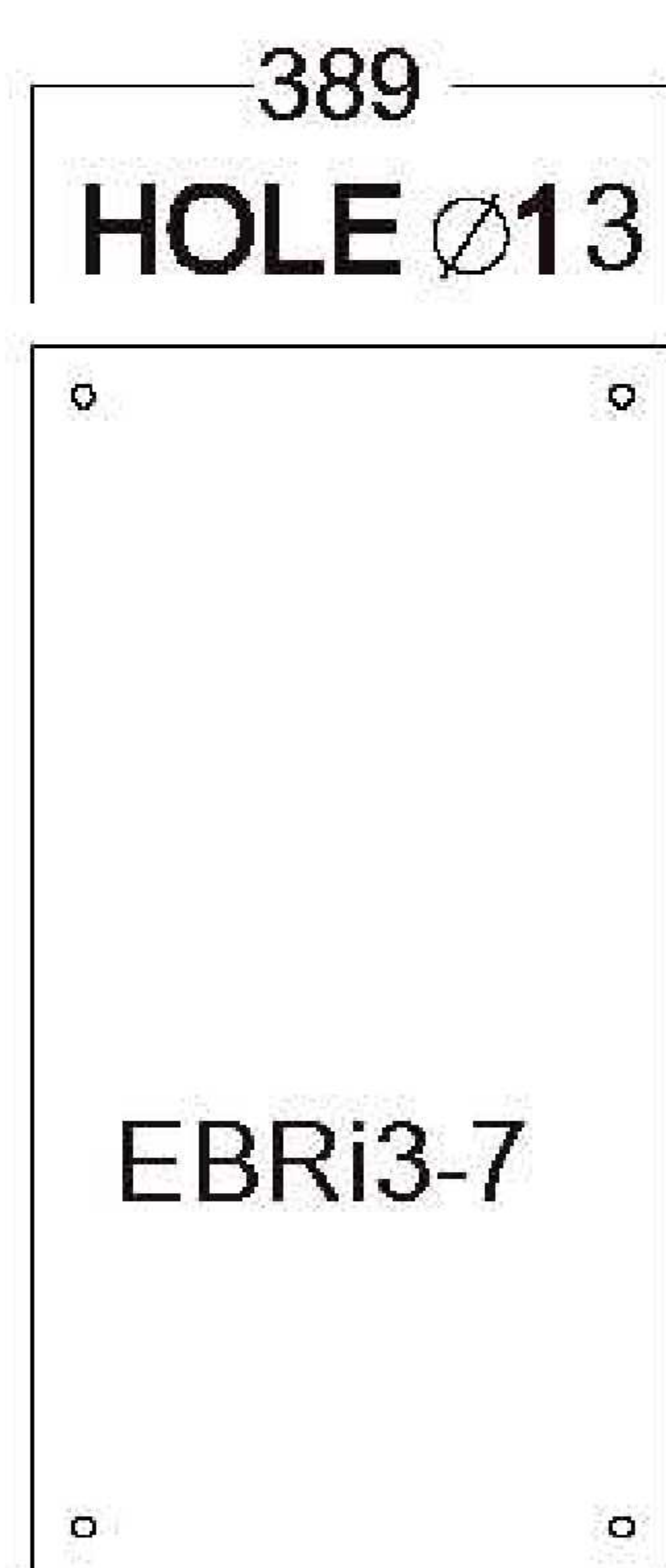


INSIDE-unfold

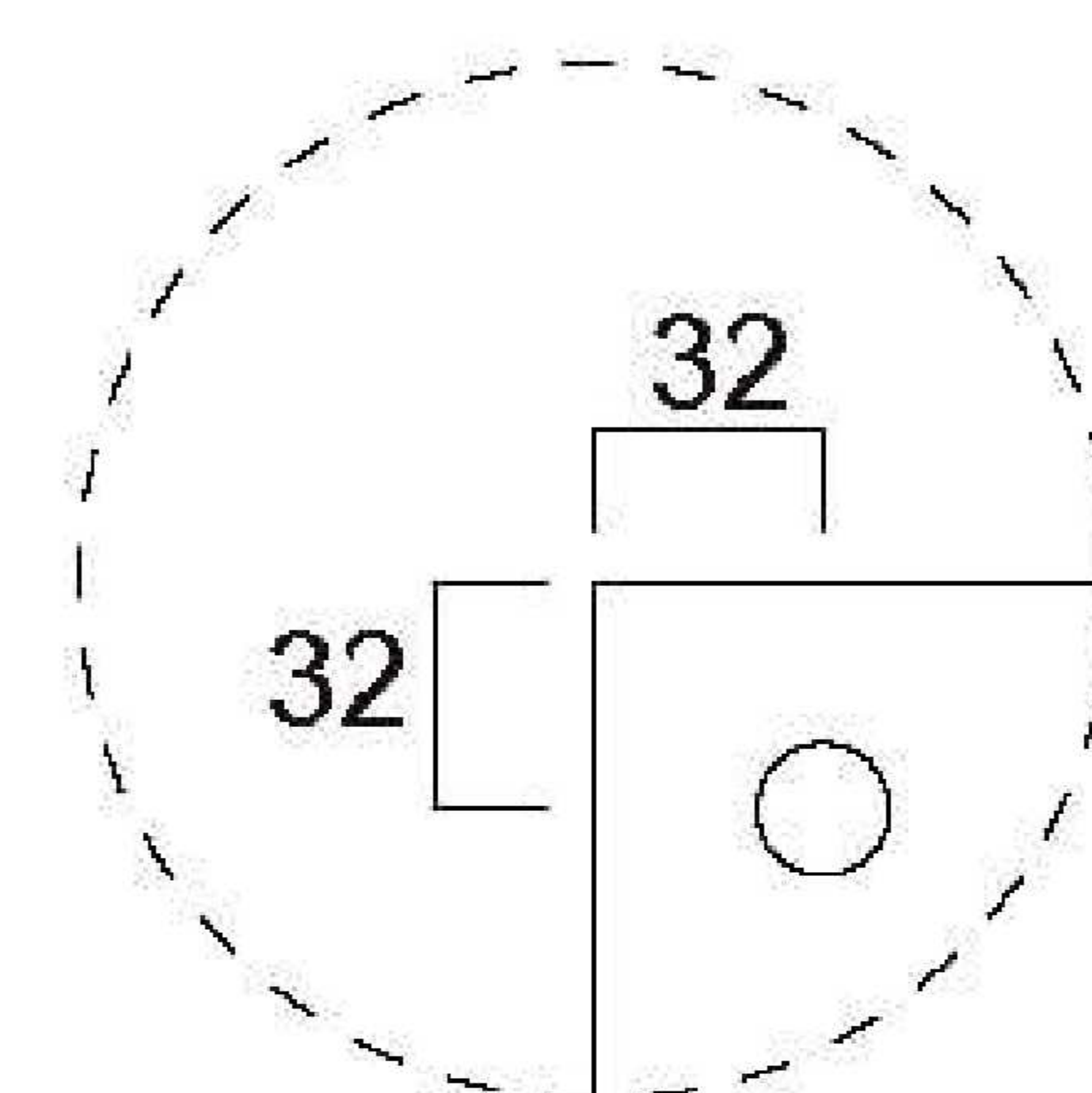
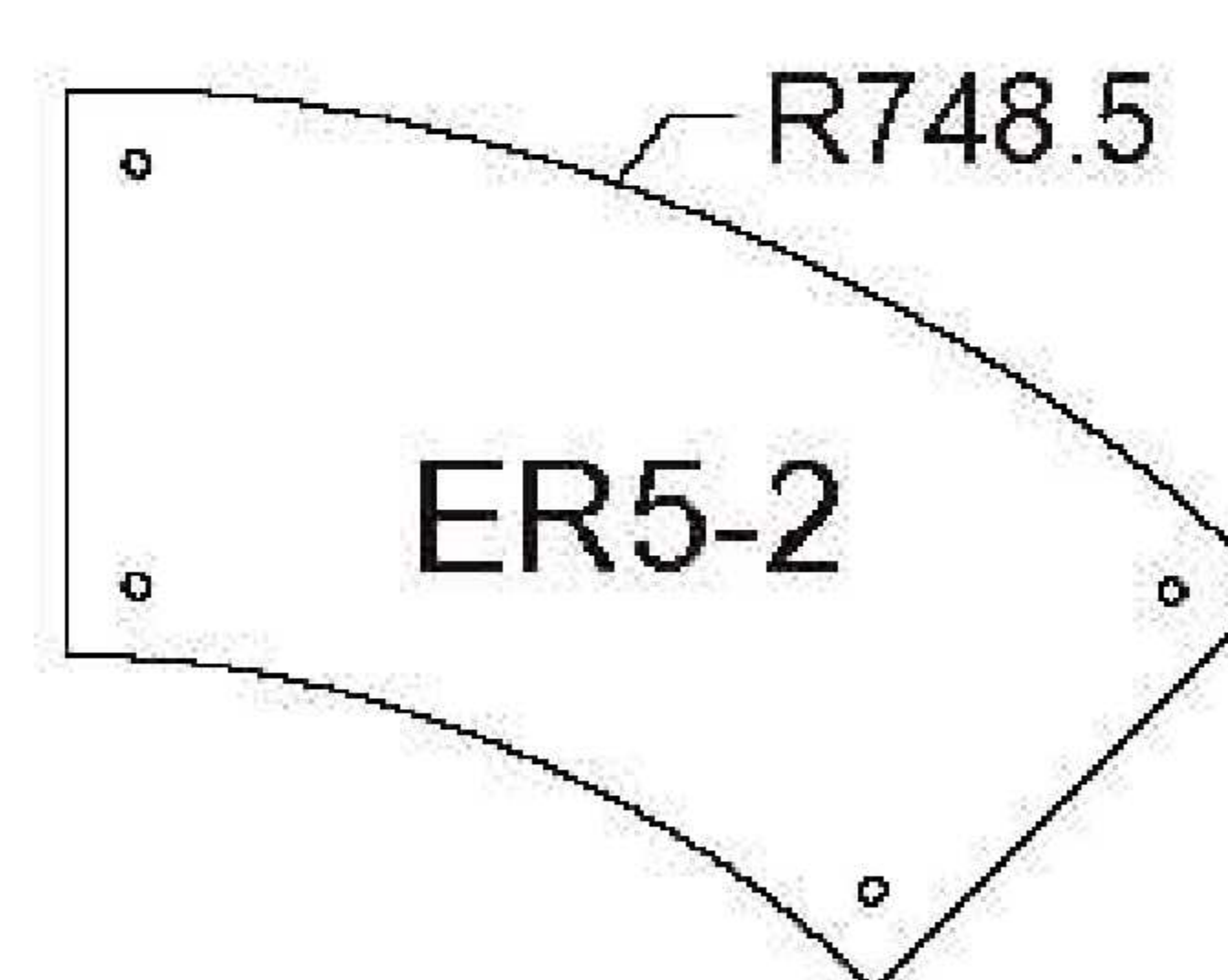
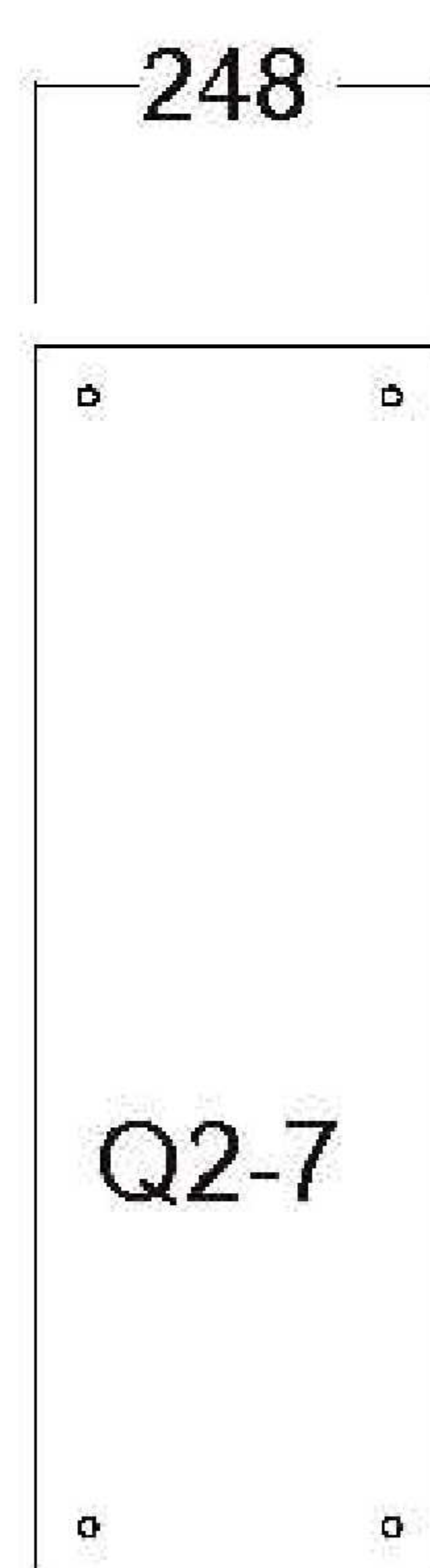
The size of the finishing materials



Thk 2~5mm
OUTSIDE-unfold



Thk 2~5mm
INSIDE-unfold

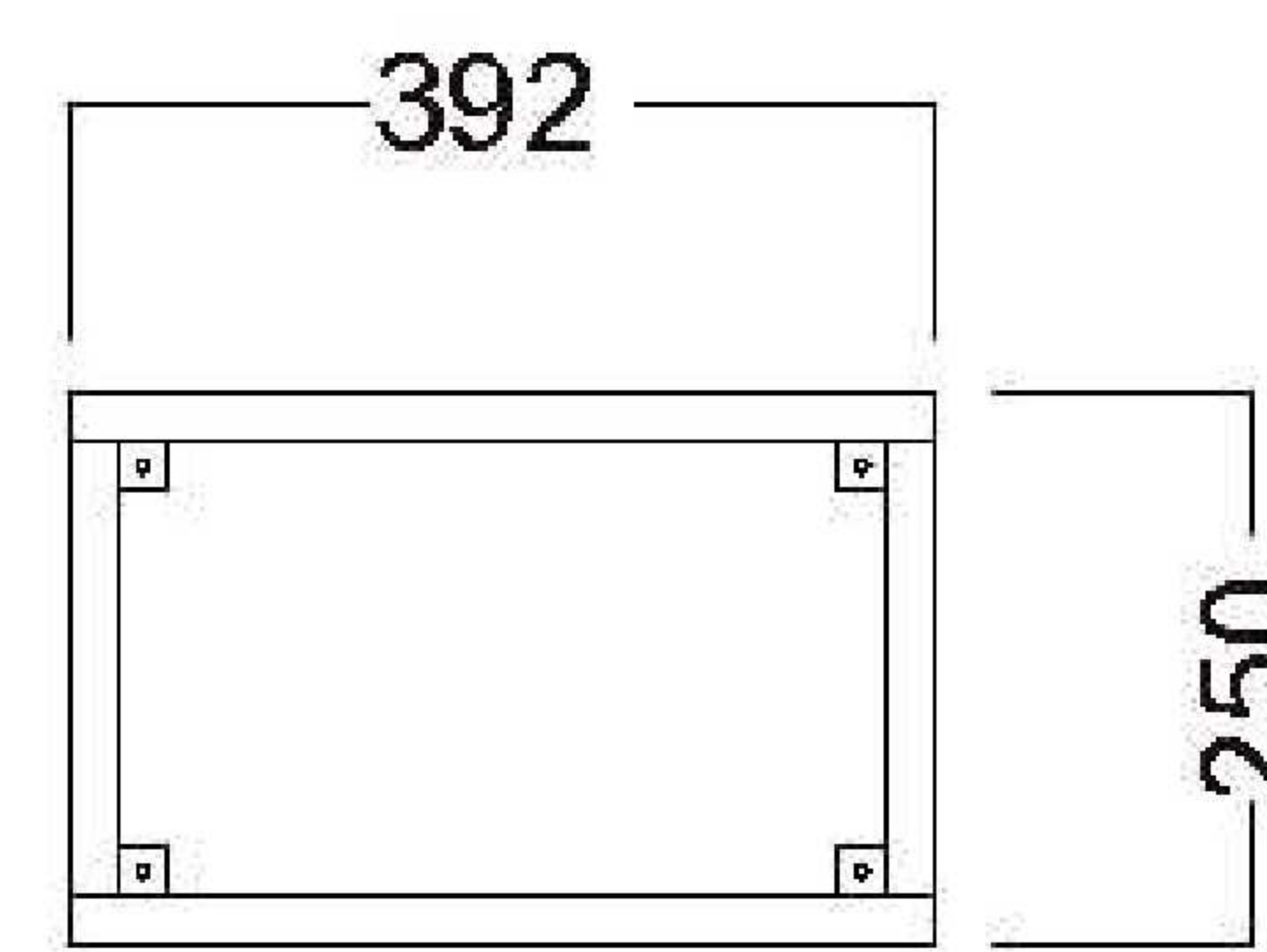
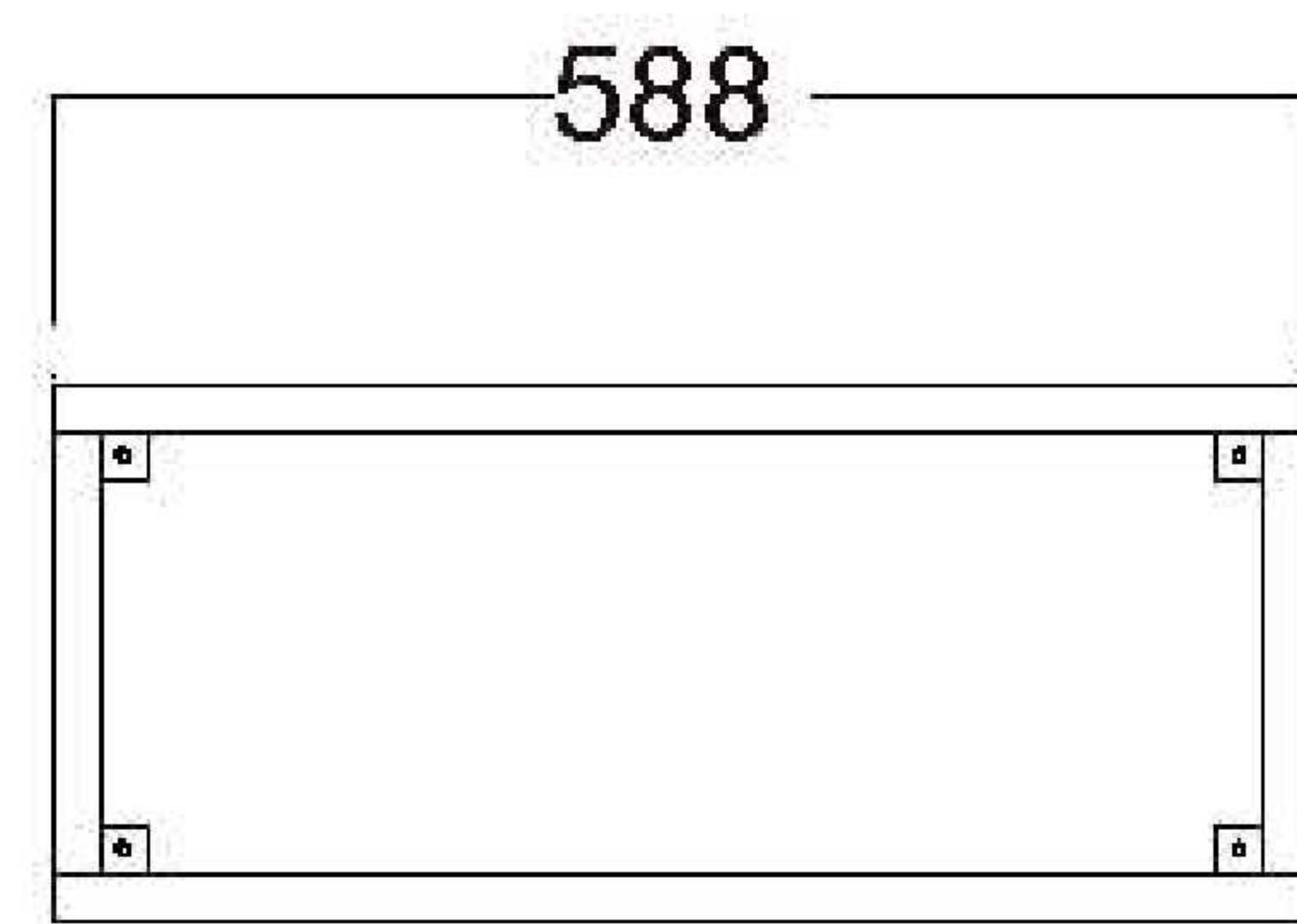
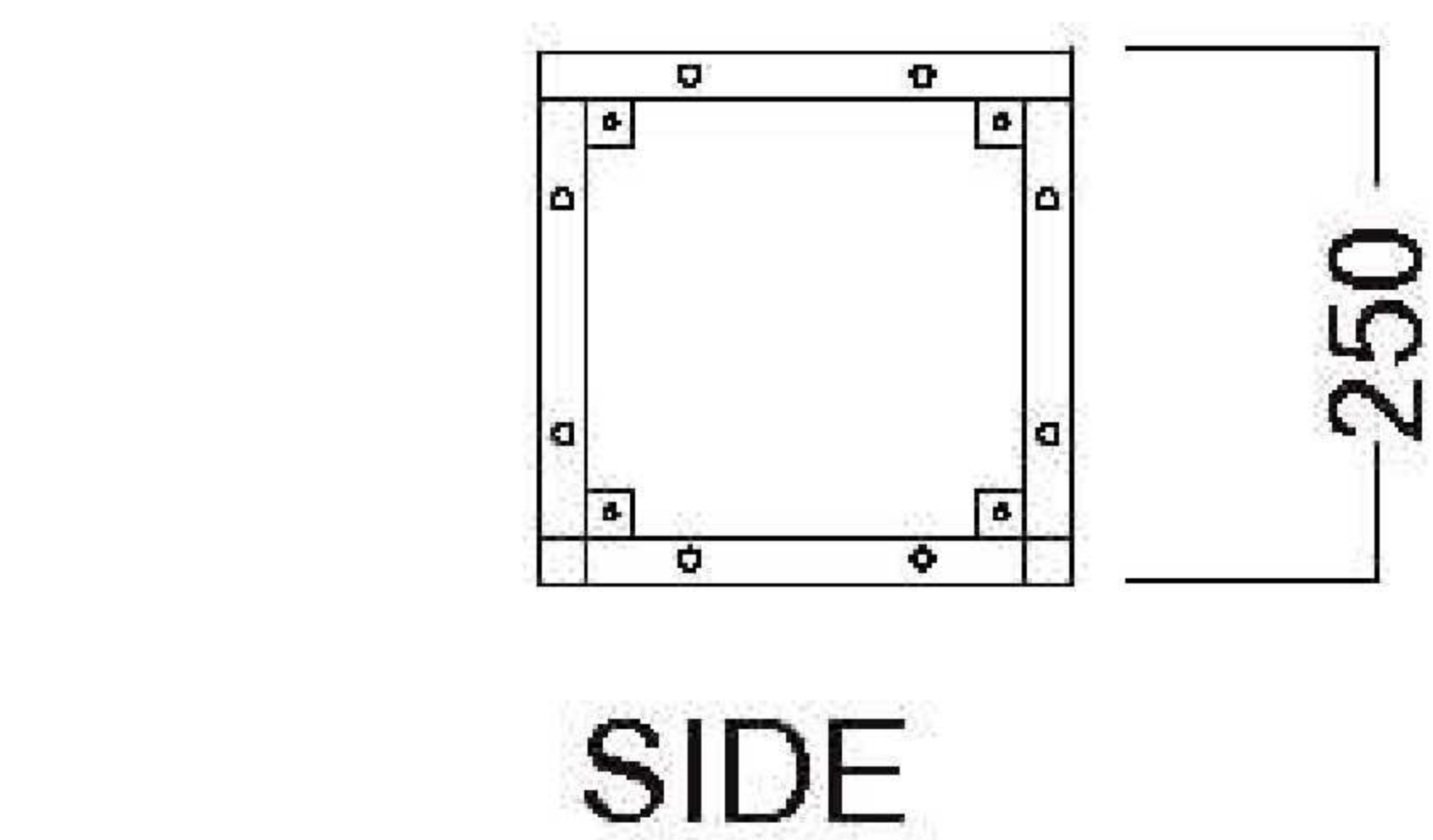
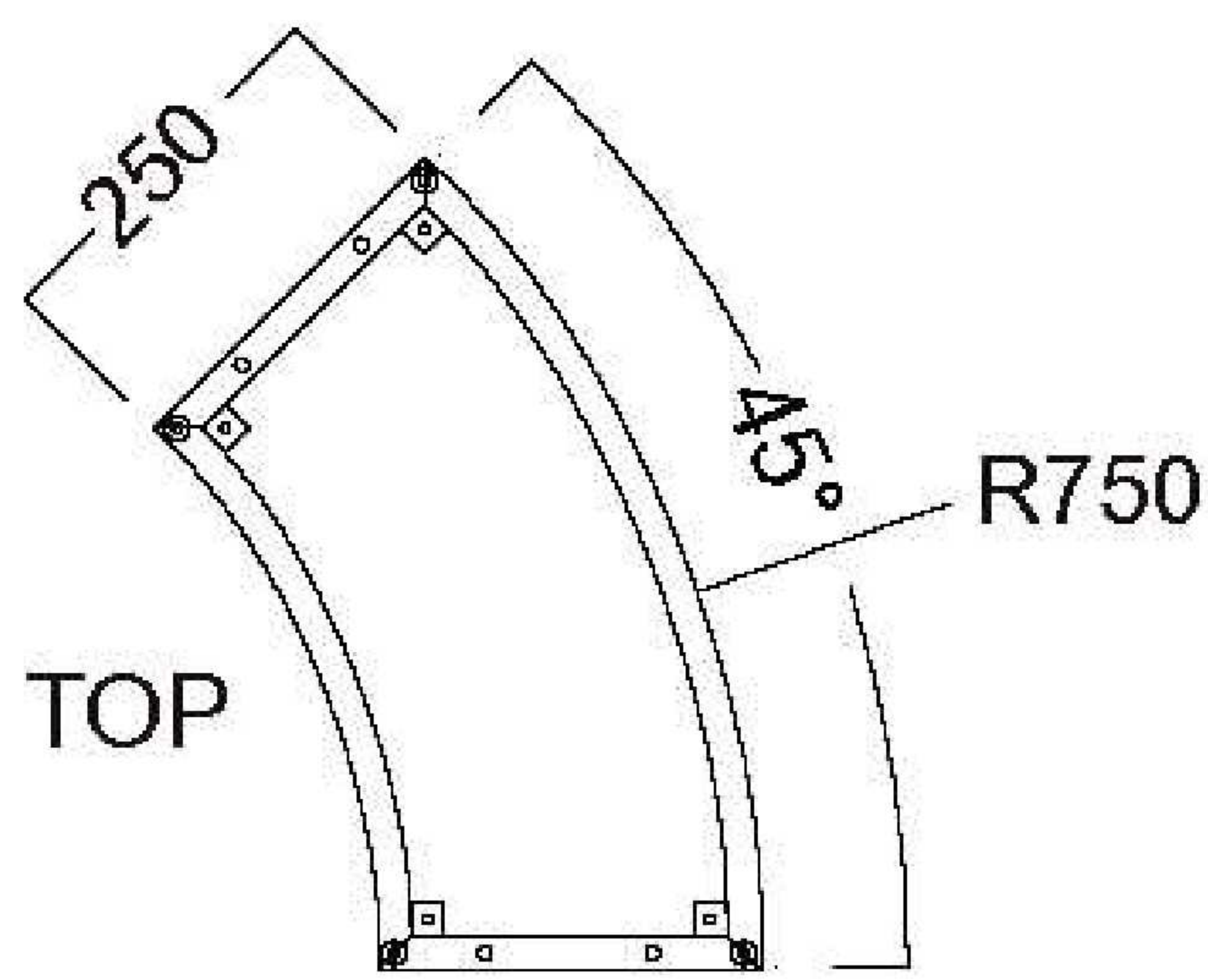
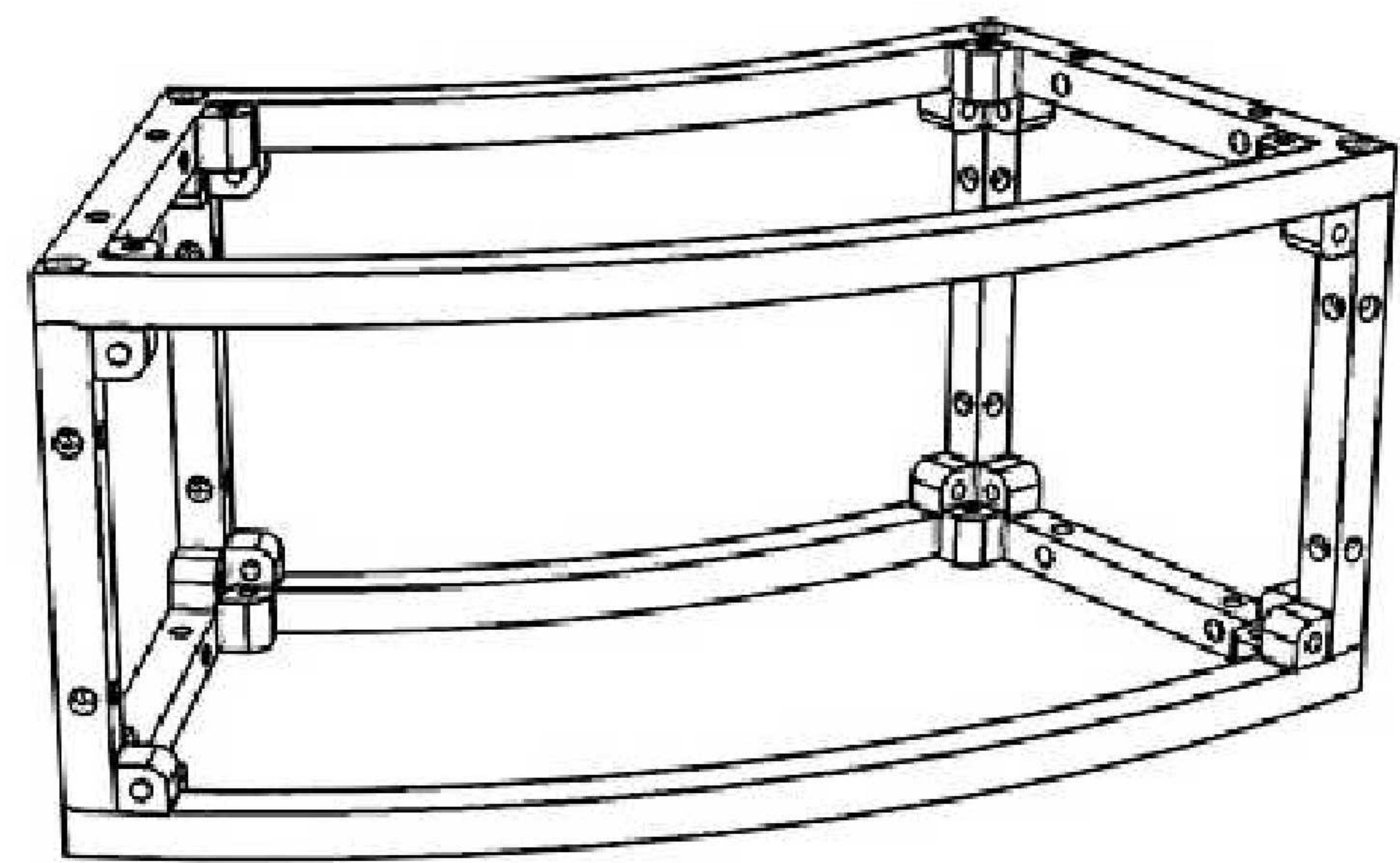


Standard Size
HOLE Ø11

T-wave E250

Podo International Corp.
Worldwide Solution

MATERIAL: ALLOY/A6061-T5
SURFACE FINISHING: BUFFING
SIZE: R750x250(h)x250mm
UNIT WEIGHT: 3.2kg

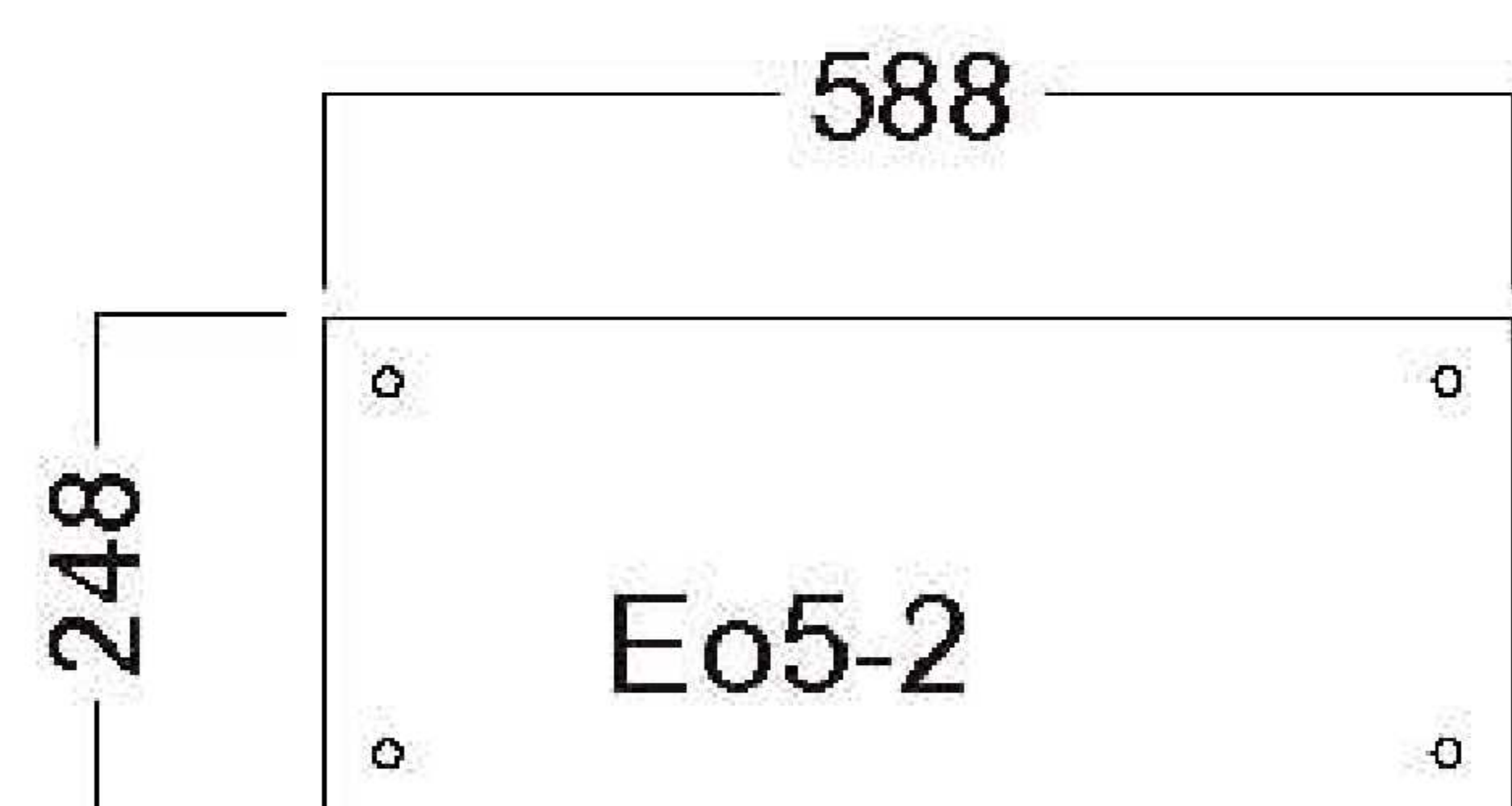


SIDE

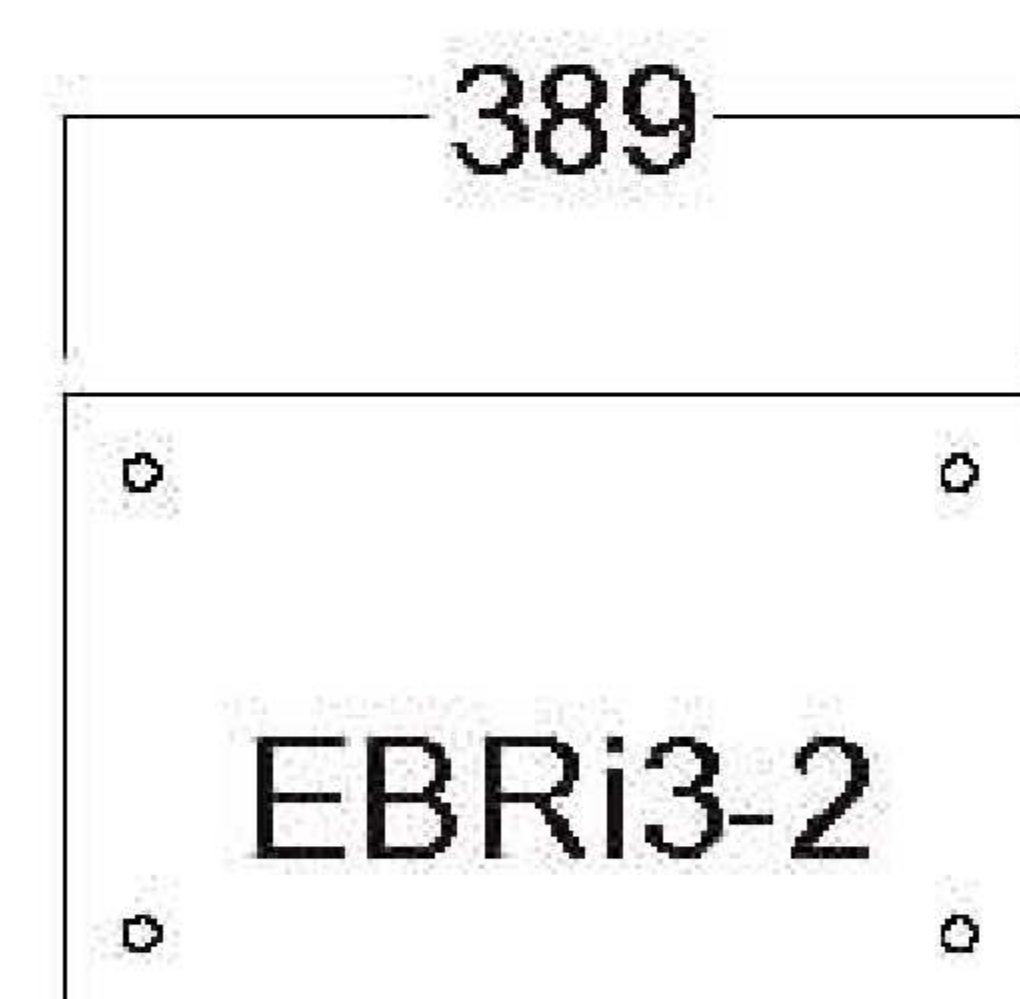
OUTSIDE-unfold

INSIDE-unfold

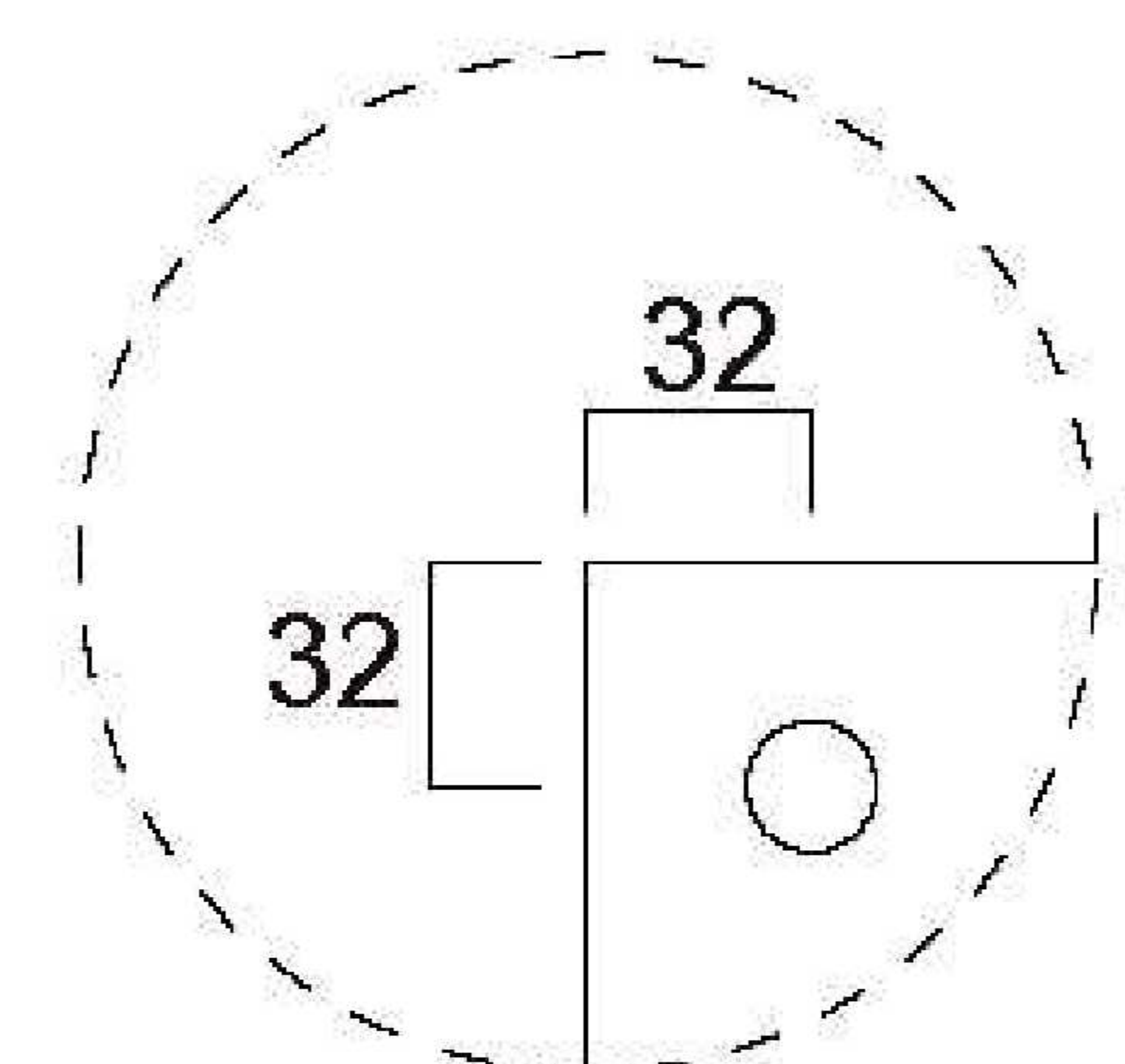
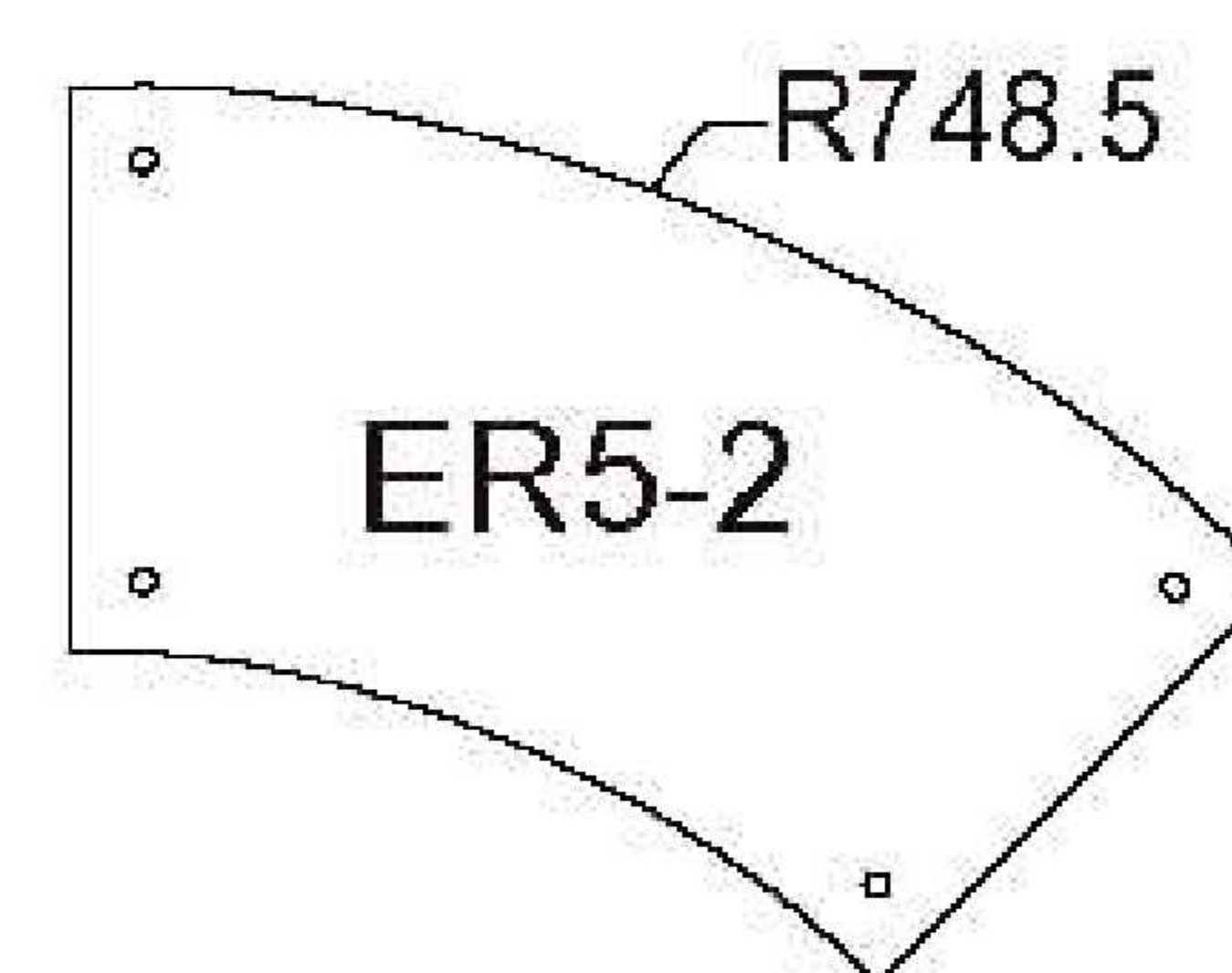
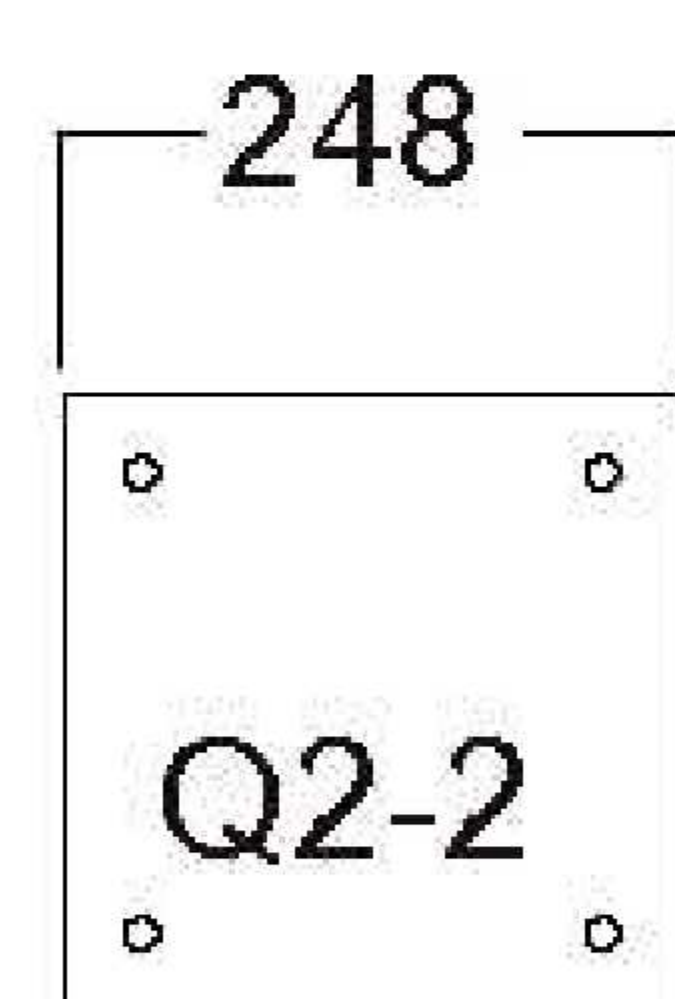
The size of the finishing materials



Thk 2~5mm
OUTSIDE-unfold



Thk 2~5mm
INSIDE-unfold

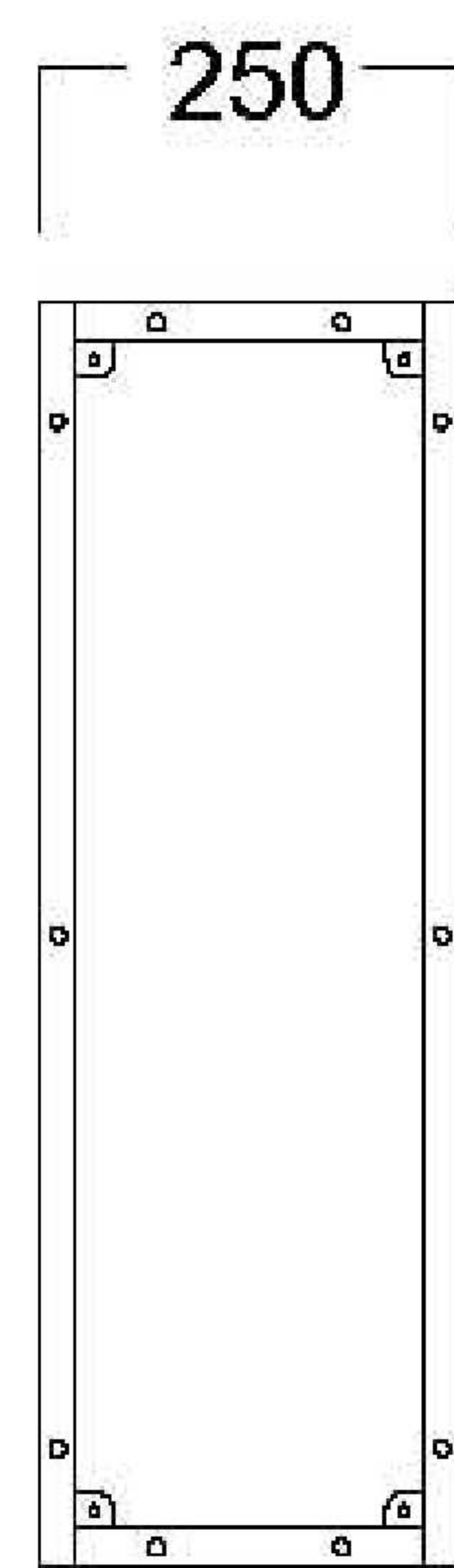
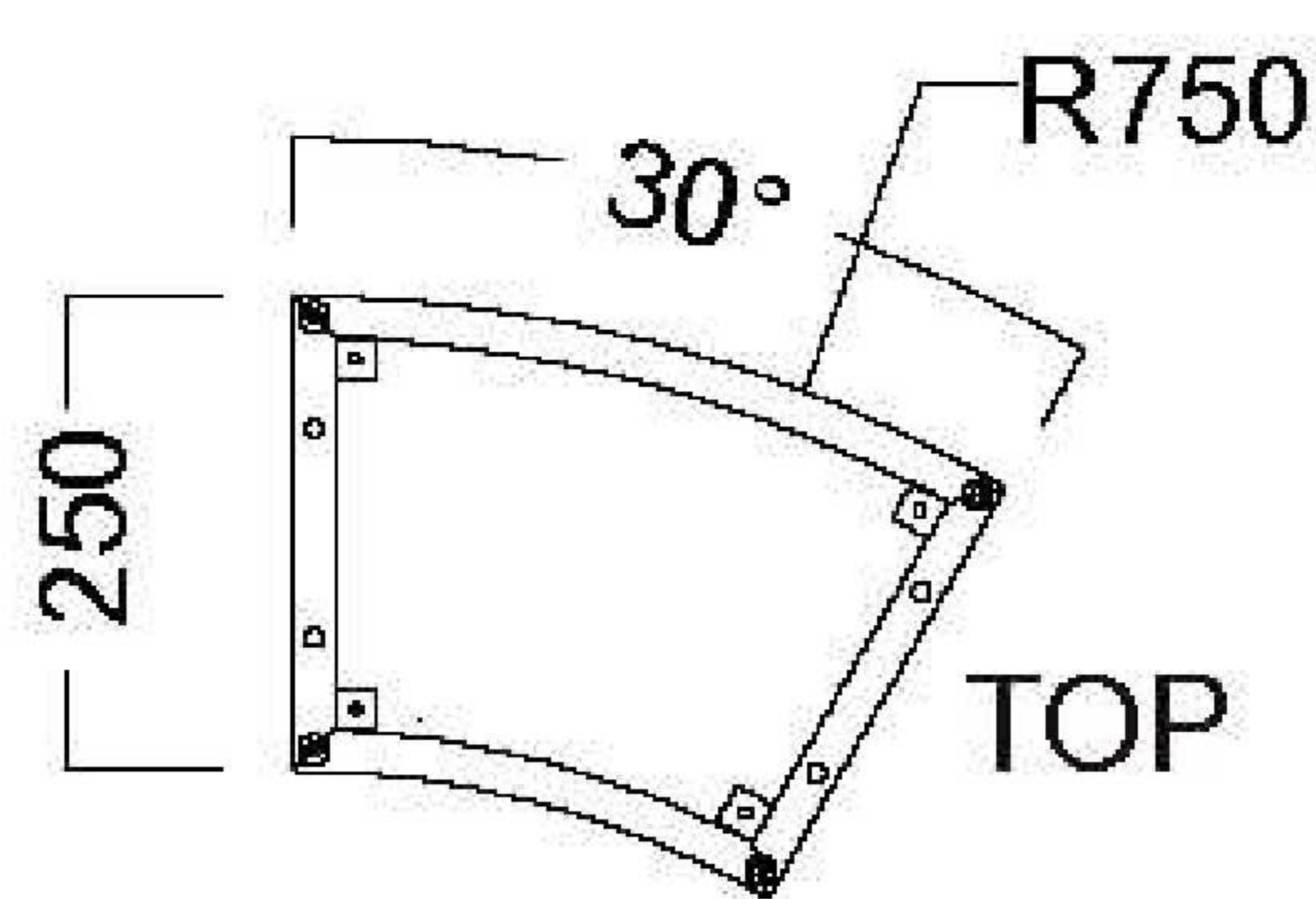
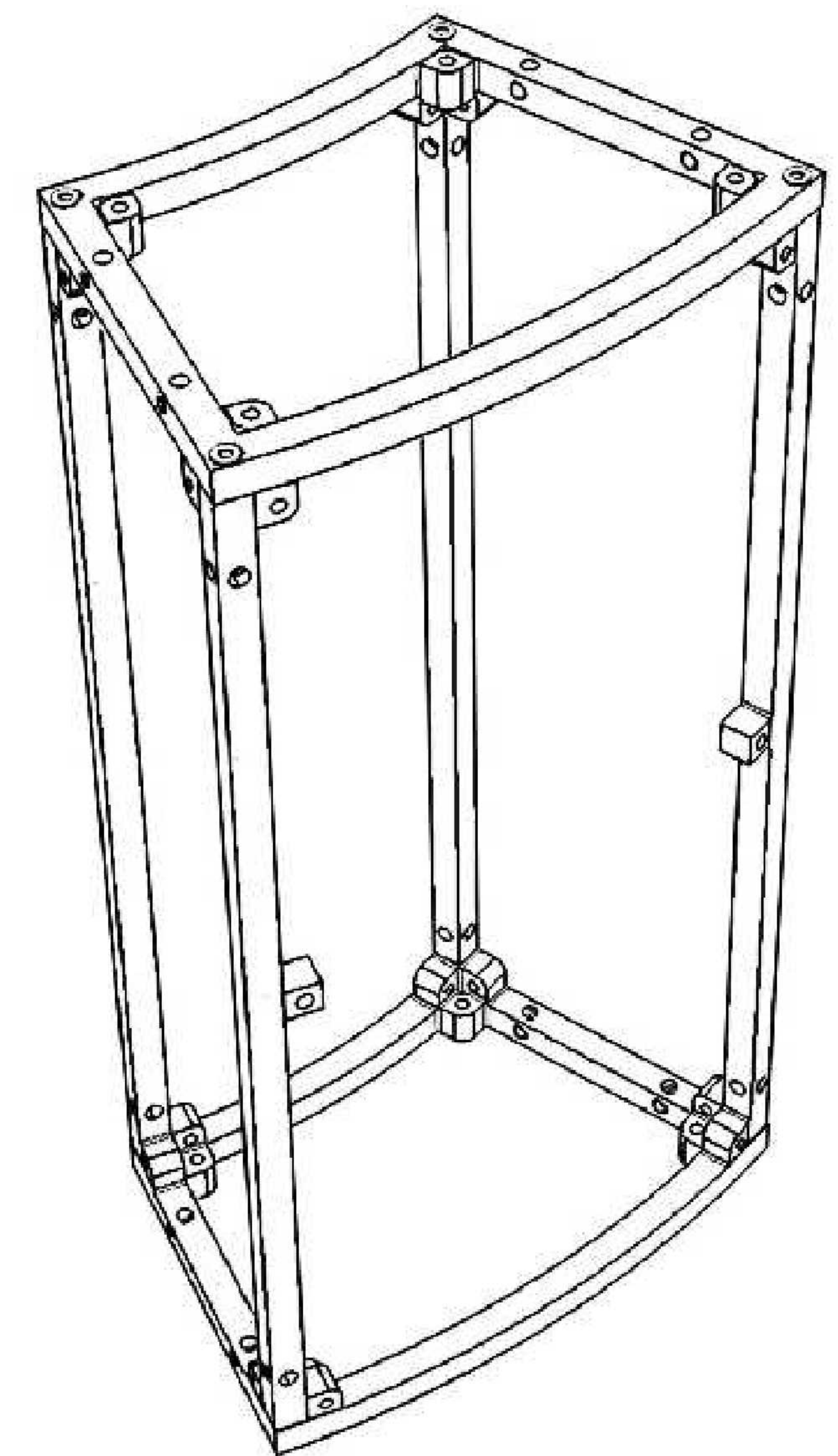


Standard Size
HOLE Ø11

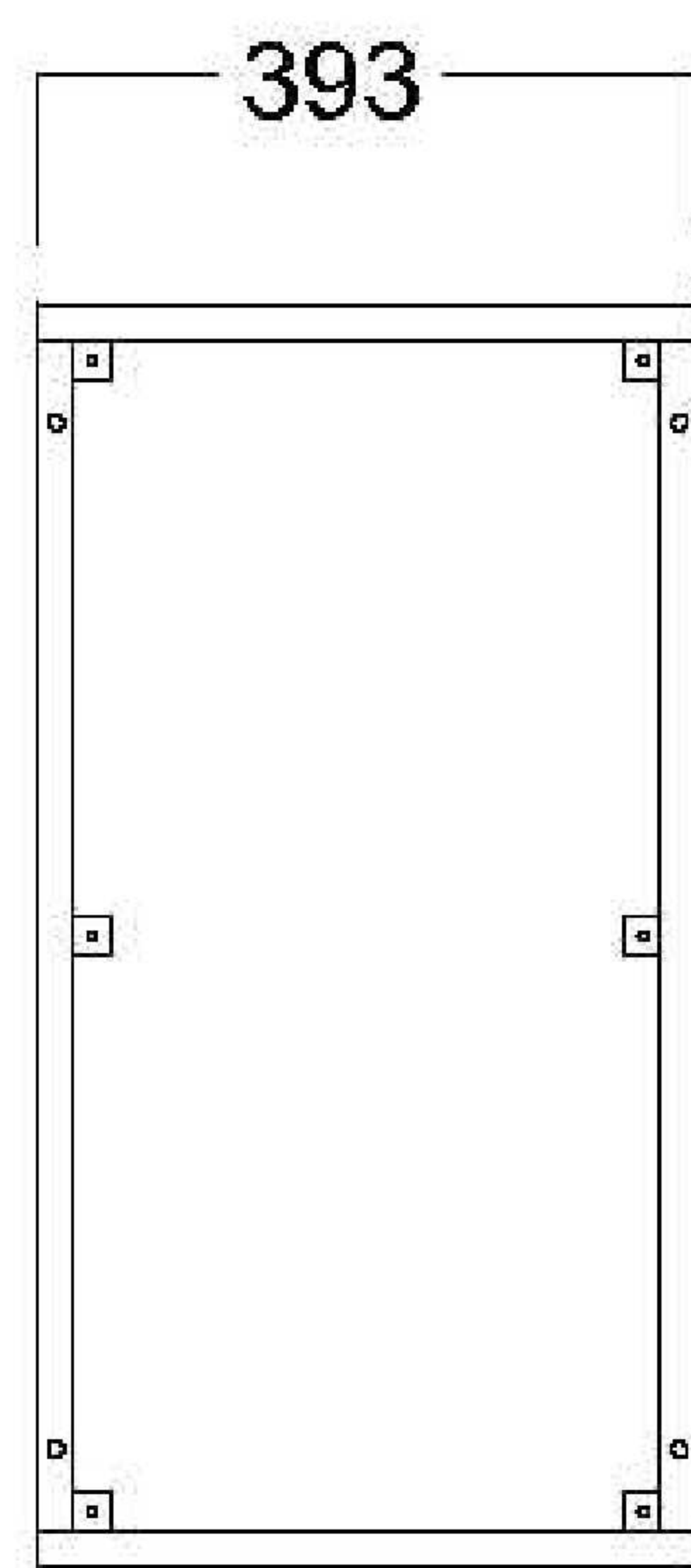
T-wave E30-750

Podo International Corp.
Worldwide Solution

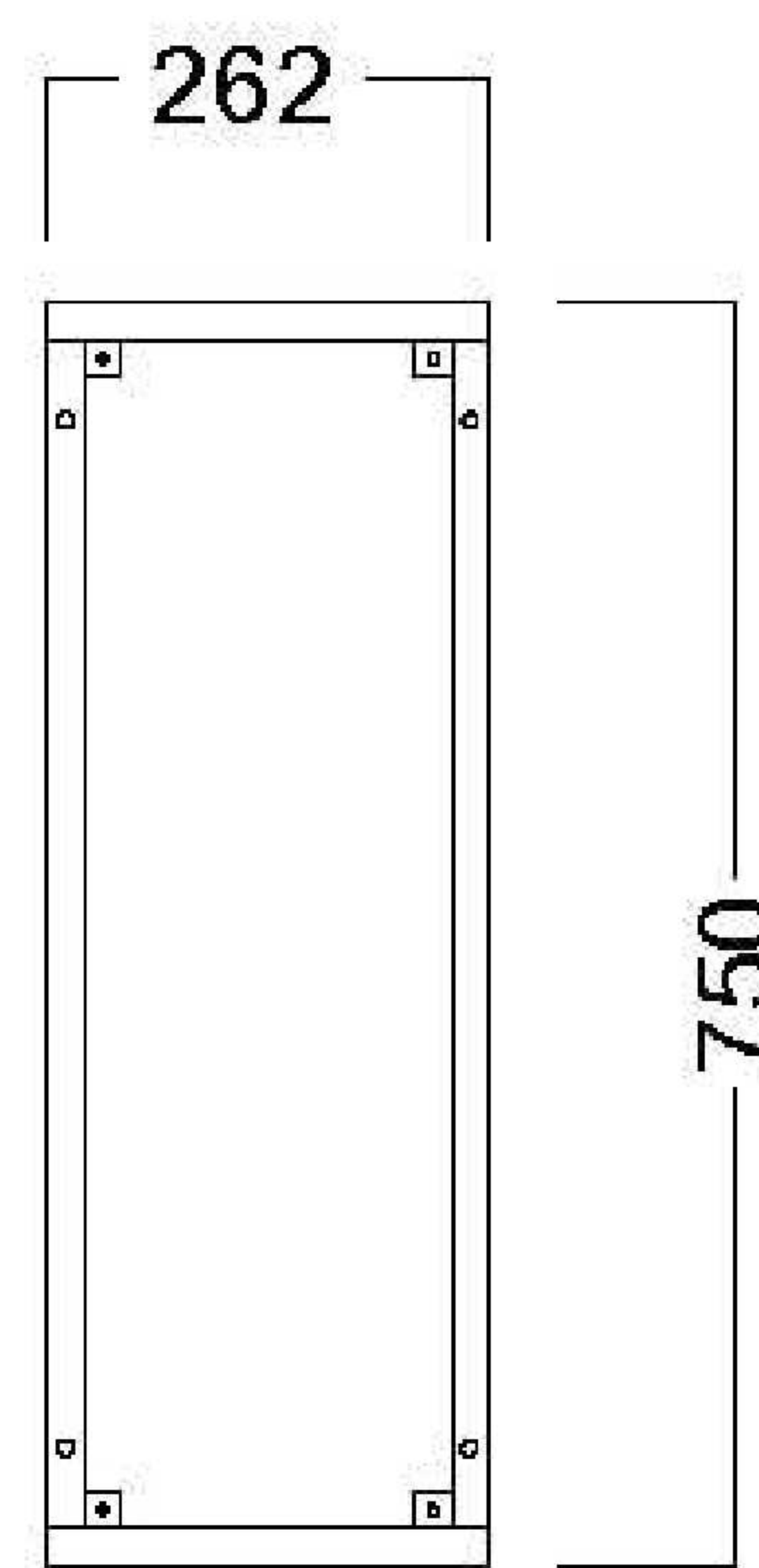
MATERIAL: ALLOY/A6061-T5
SURFACE FINISHING: BUFFING
SIZE: R750x750(h)x250mm
UNIT WEIGHT: 4.16kg



SIDE

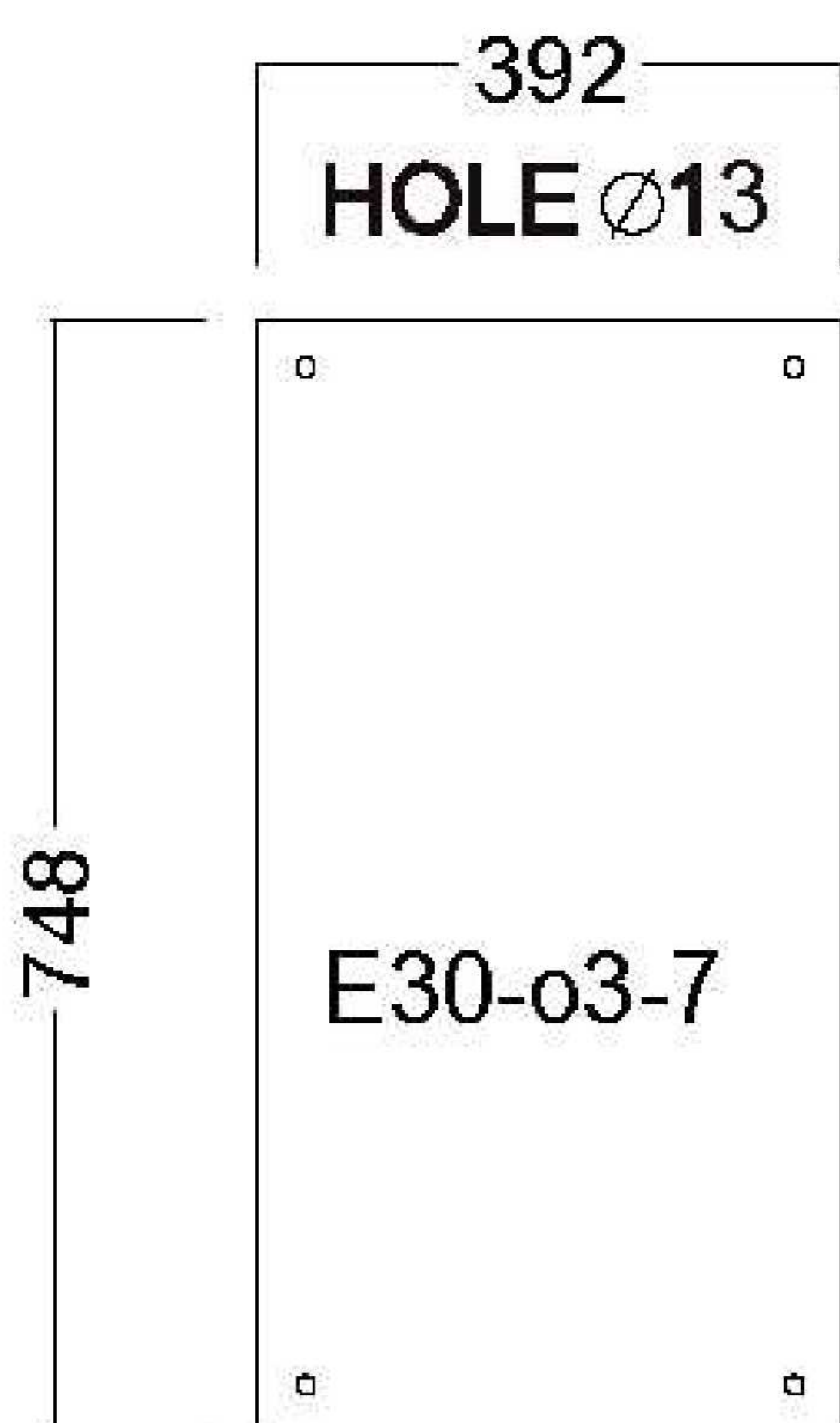


OUTSIDE-unfold

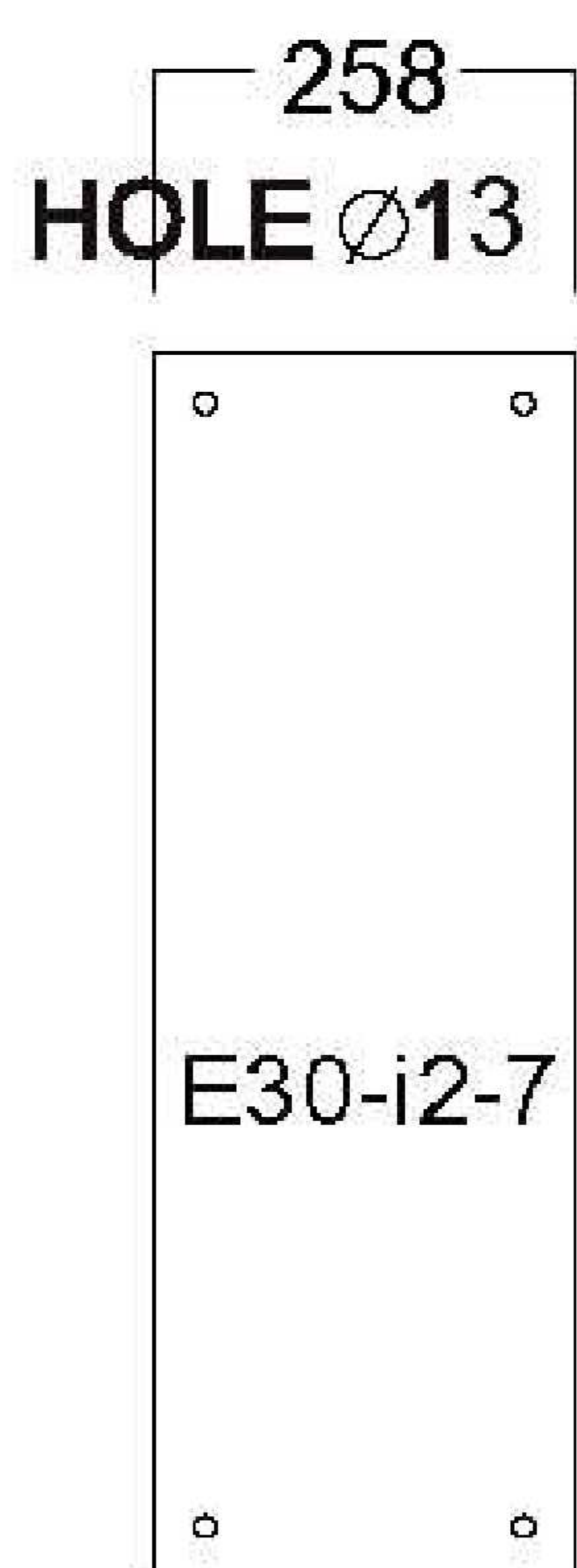


INSIDE-unfold

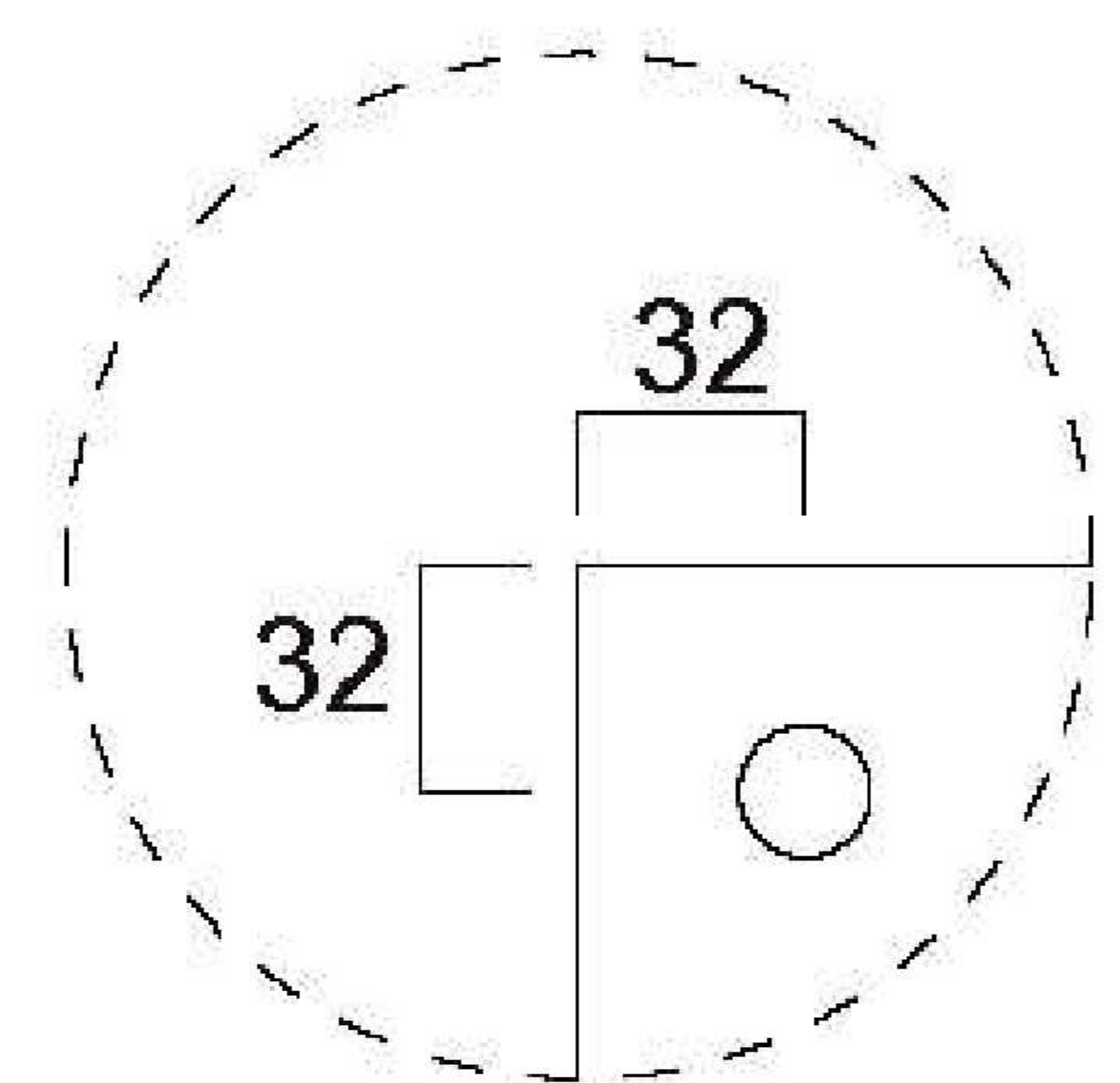
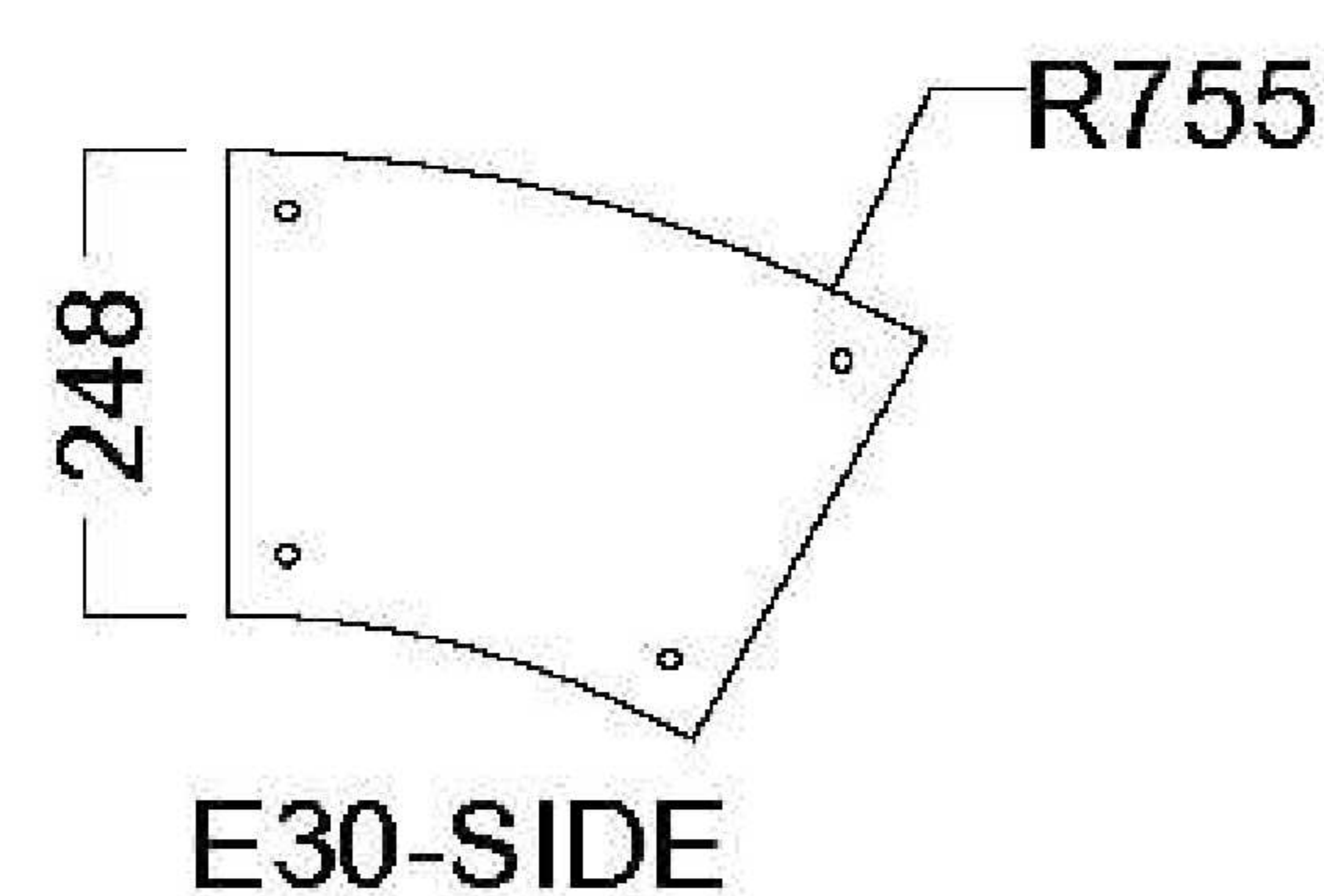
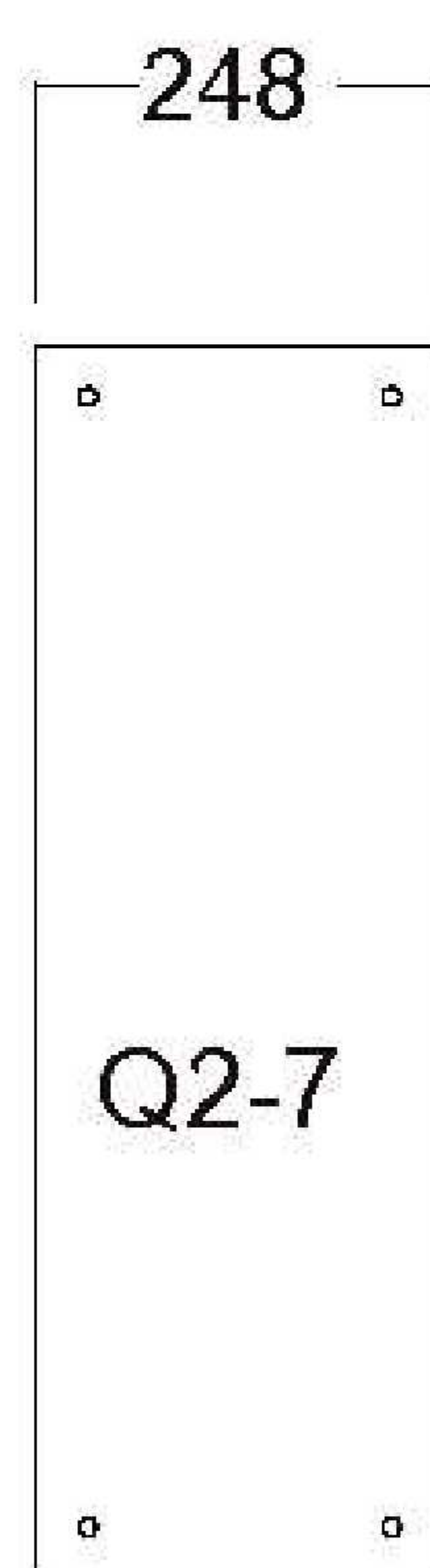
The size of the finishing materials



Thk 2~5mm
OUTSIDE-unfold



Thk 2~5mm
INSIDE-unfold

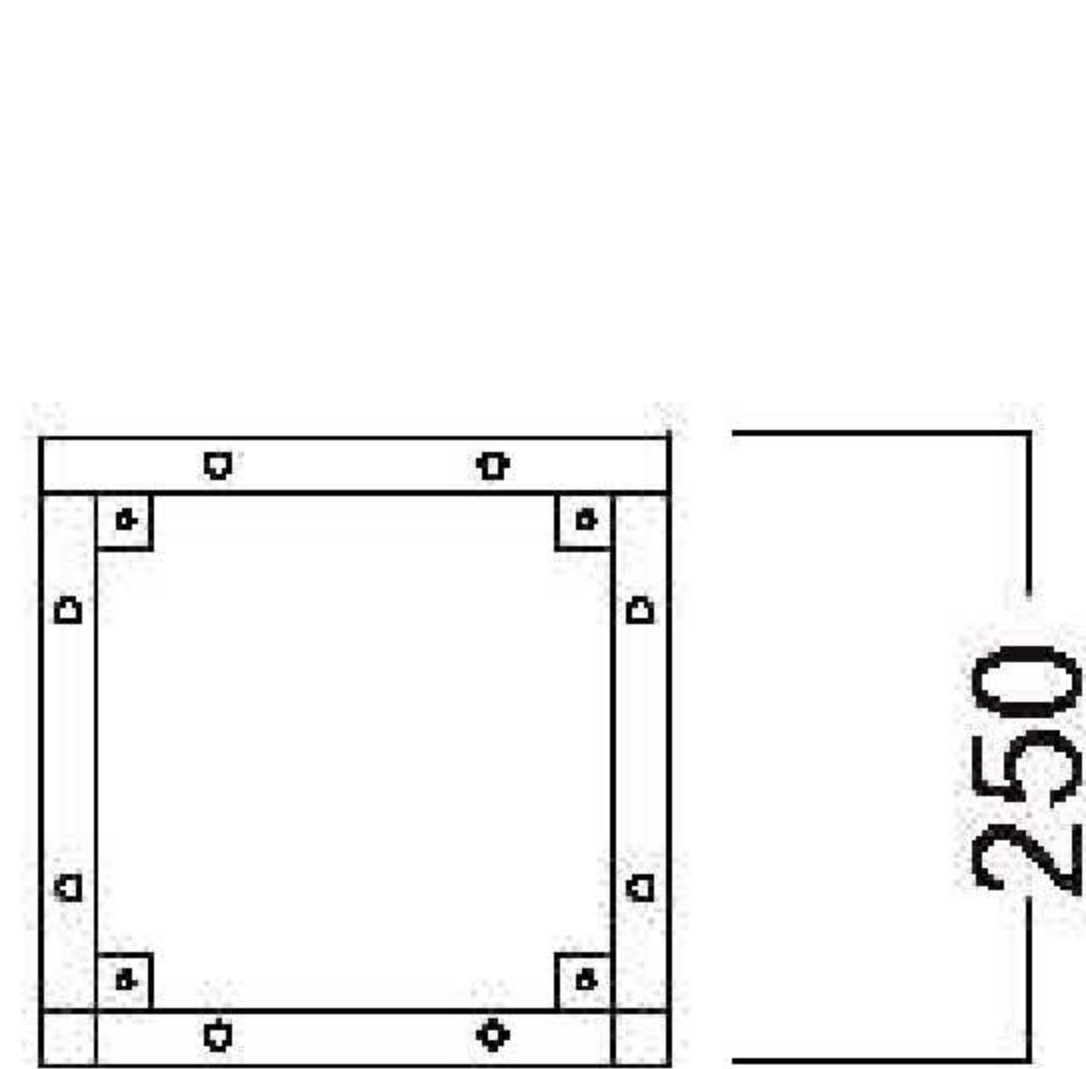
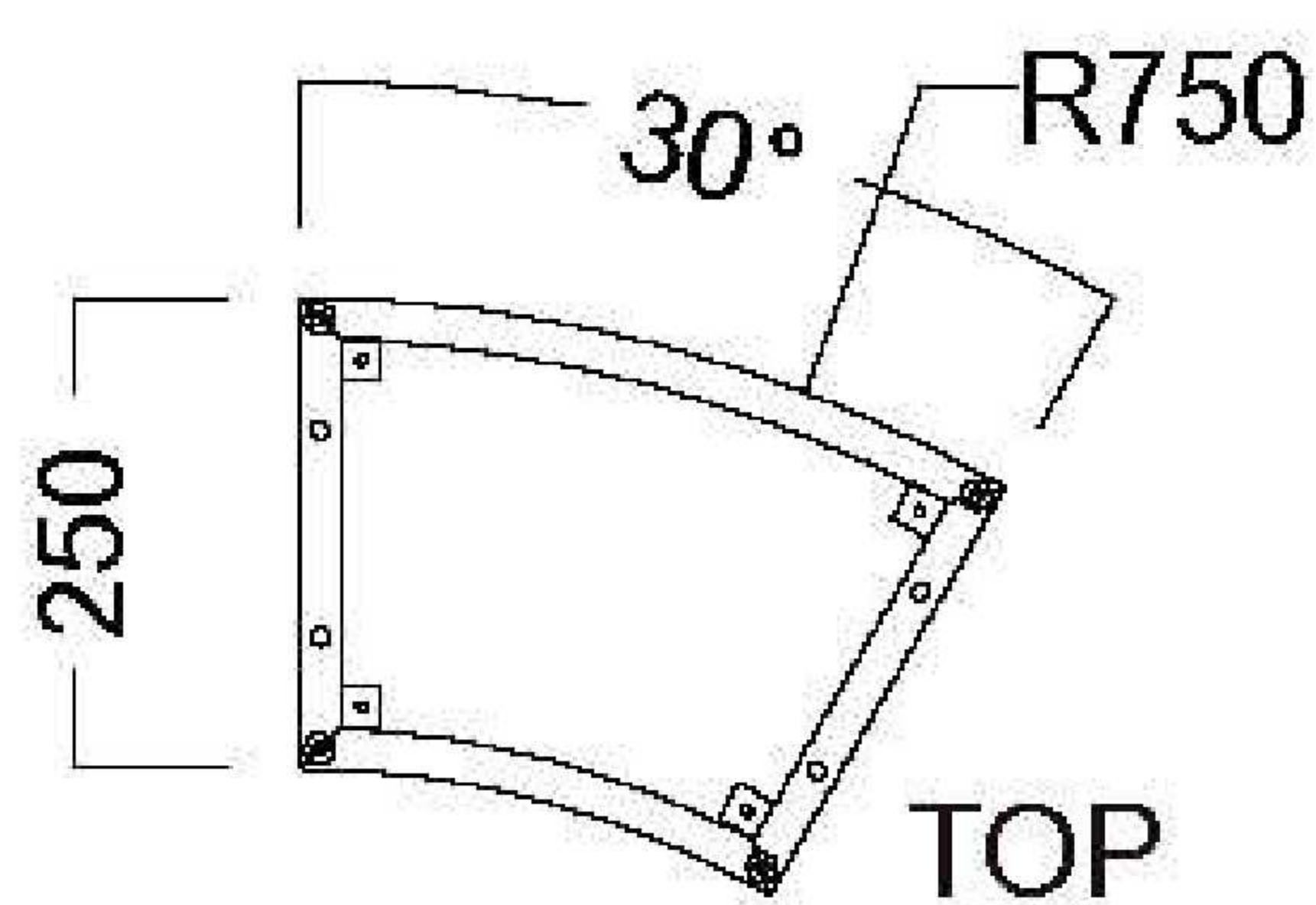
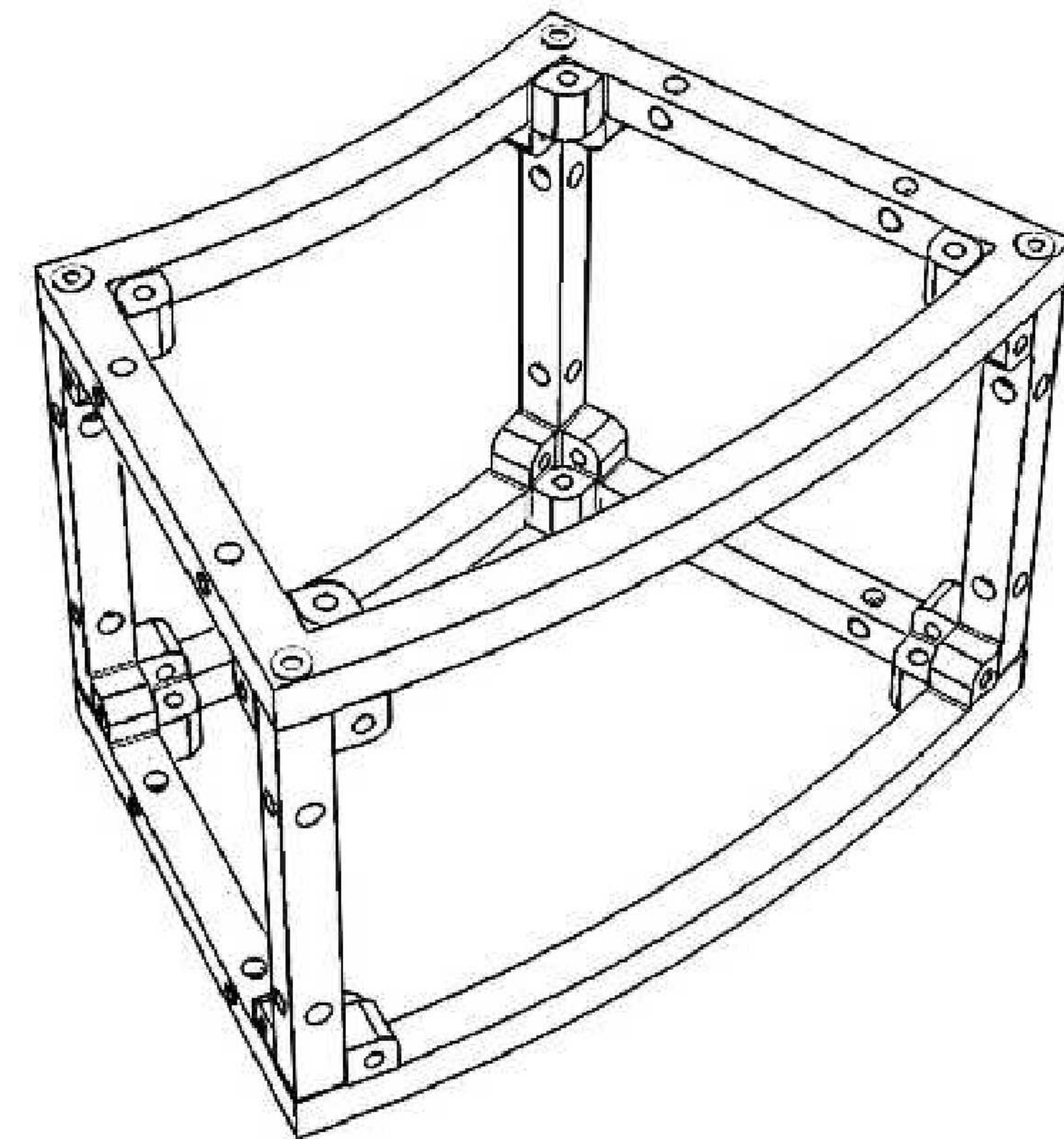


Standard Size
HOLE Ø11

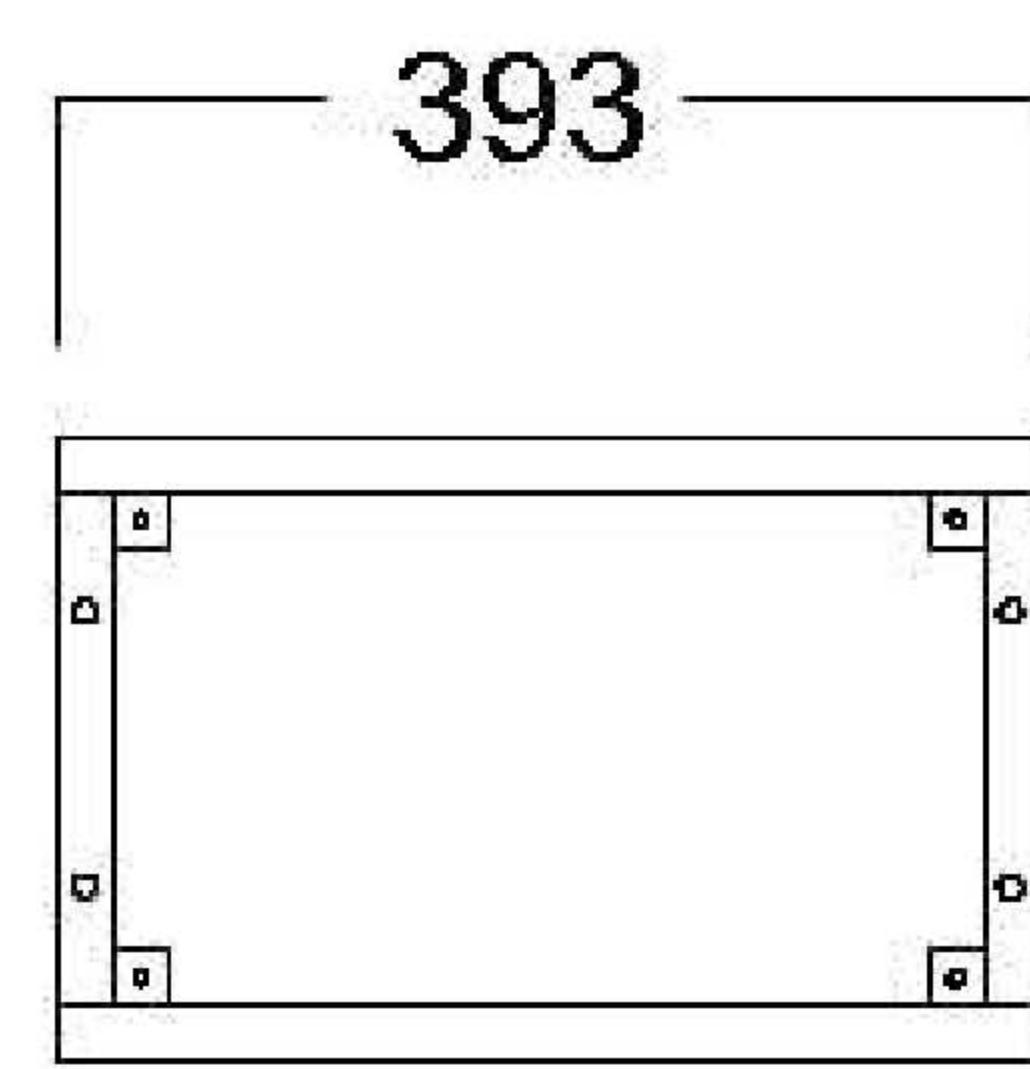
T-wave E30-250

Podo International Corp.
Worldwide Solution

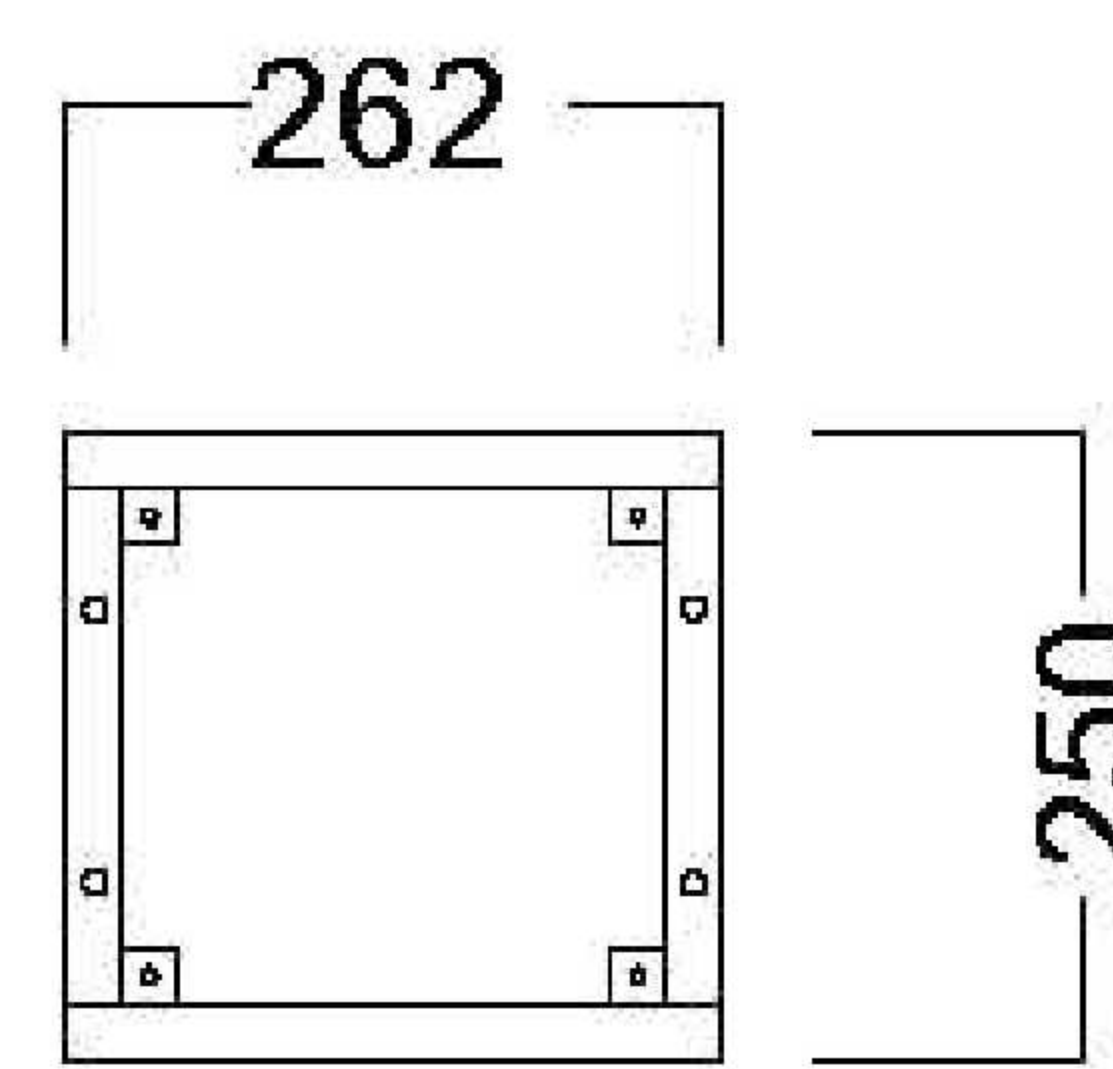
MATERIAL: ALLOY/A6061-T5
SURFACE FINISHING: BUFFING
SIZE: R750x250(h)x250mm
UNIT WEIGHT: 2.8kg



SIDE

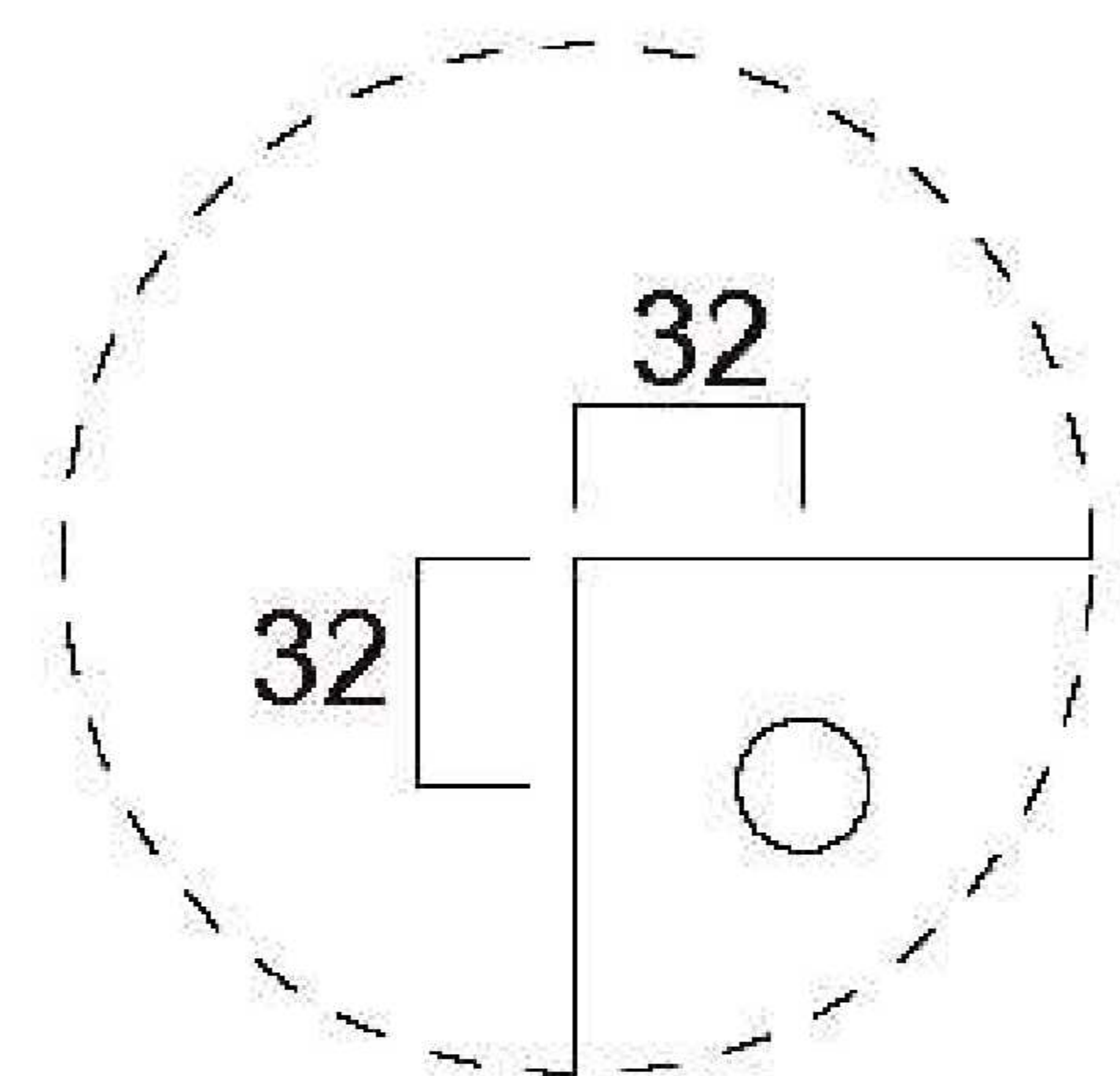


OUTSIDE-unfold

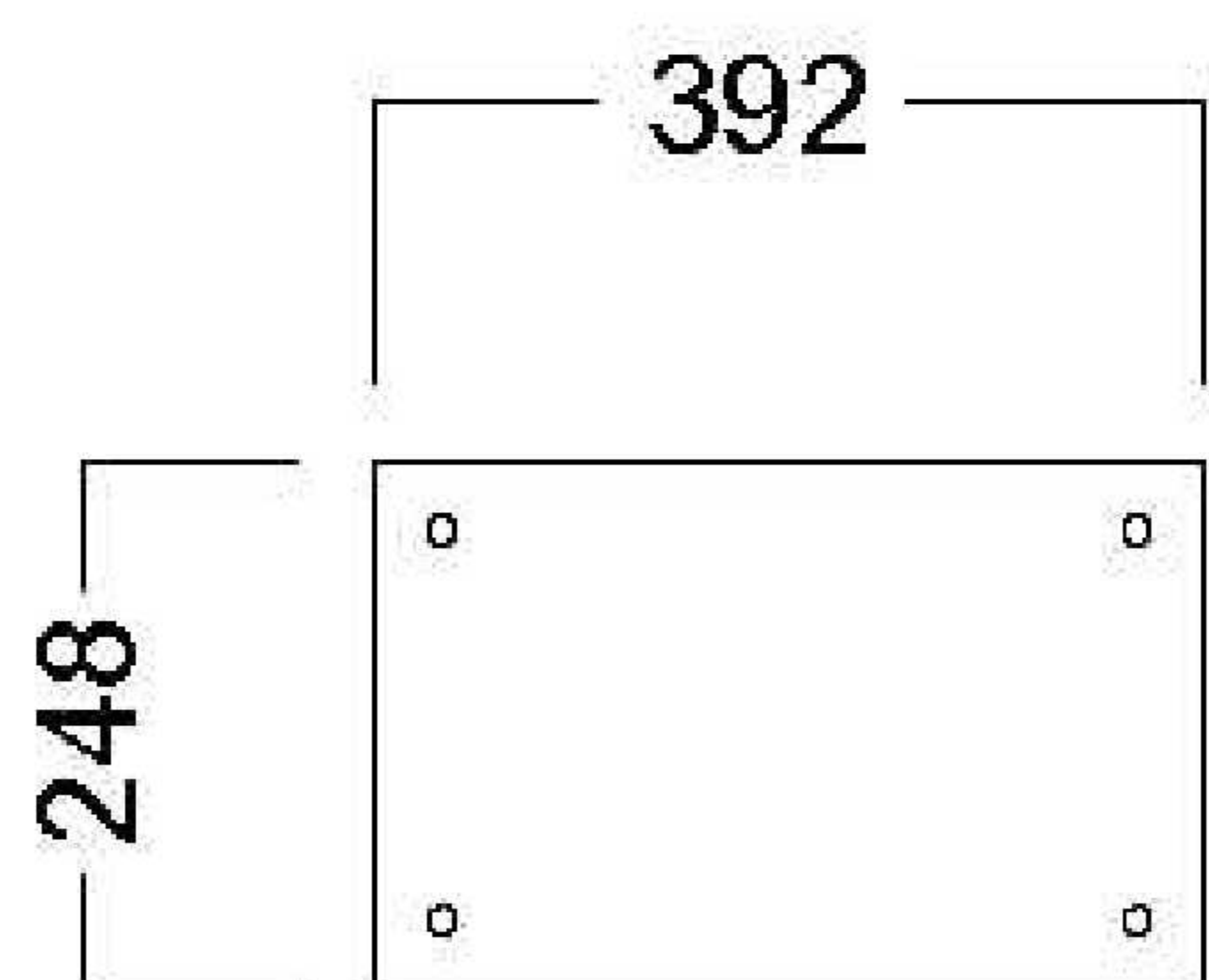


INSIDE-unfold

The size of the finishing materials

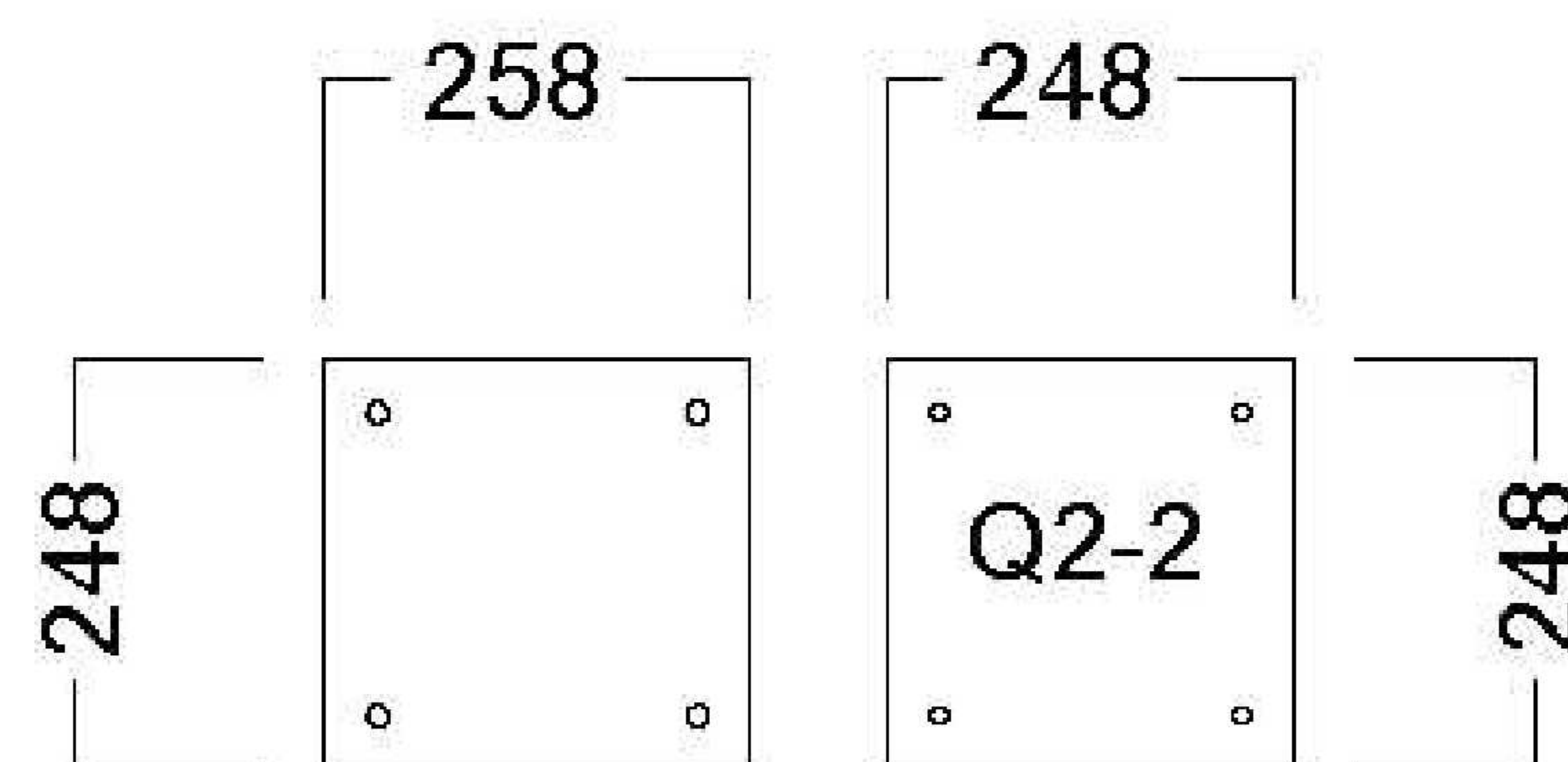


Standard Size
HOLE Ø11



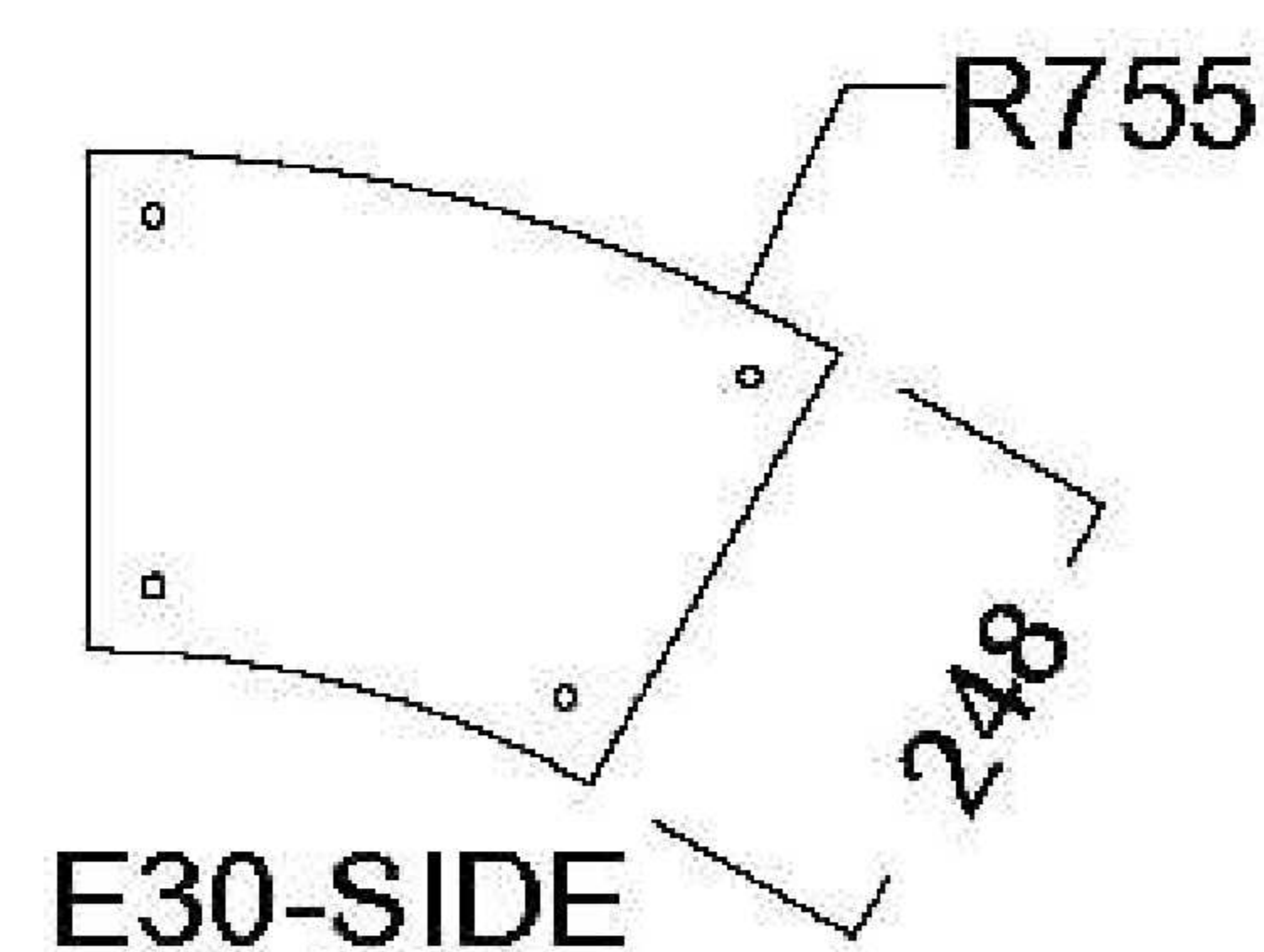
E30-o3-2

OUTSIDE-unfold
Thk 2~5mm



E30-i2-2

INSIDE-unfold
Thk 2~5mm

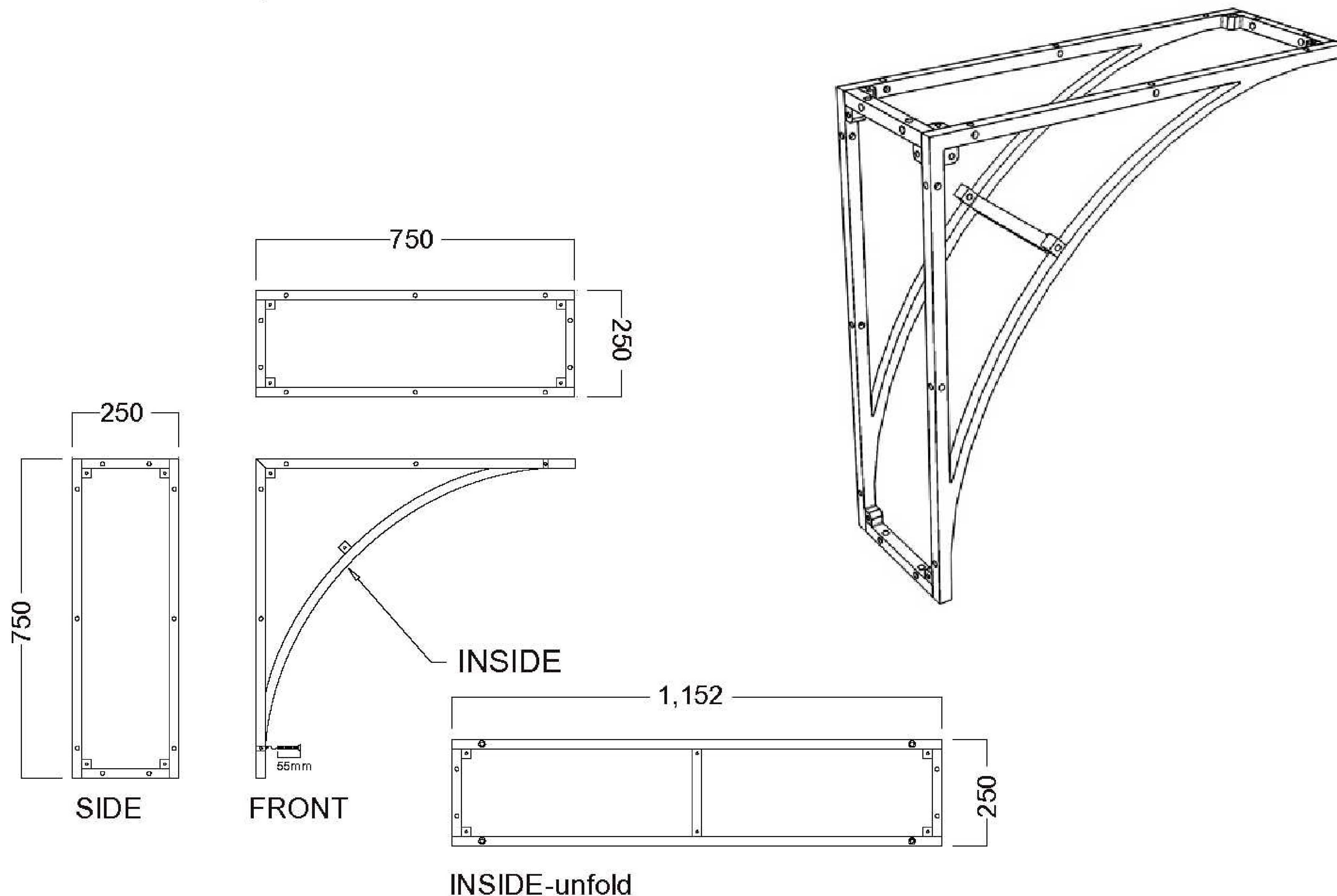


E30-SIDE

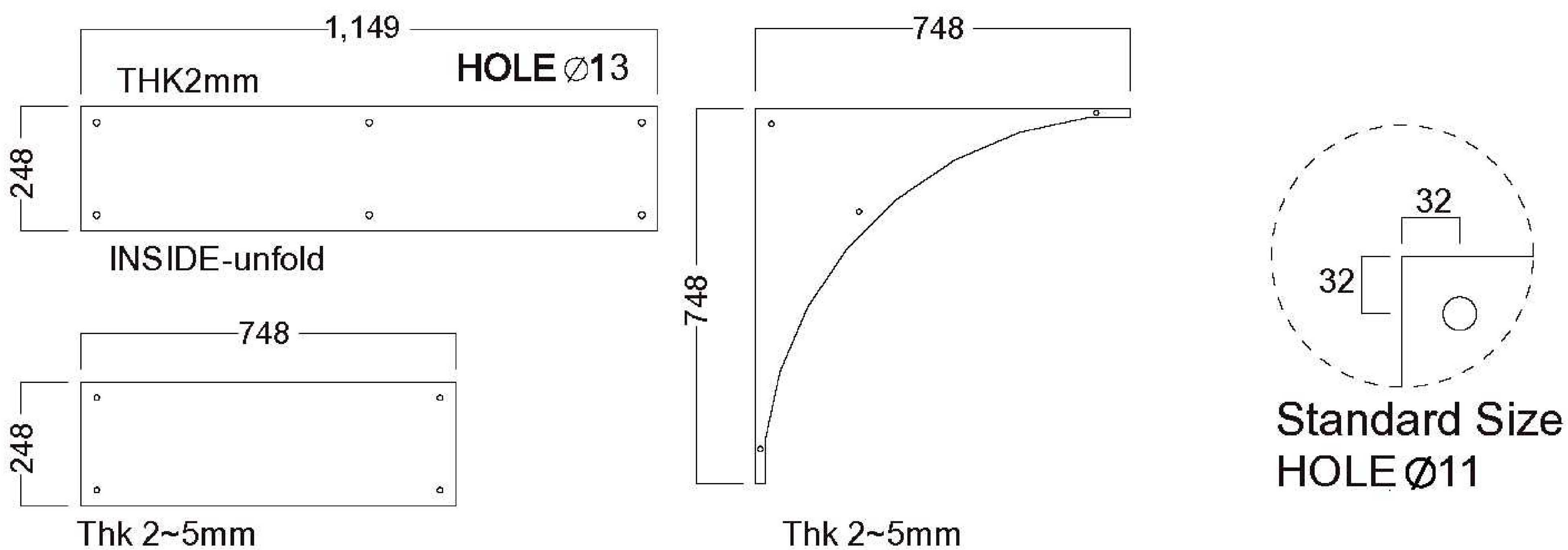
T-wave F750

Podo International Corp.
Worldwide Solution

MATERIAL: ALLOY/A6061-T5
SURFACE FINISHING: BUFFING
SIZE: 750x750(h)x250mm
UNIT WEIGHT: 3.97kg



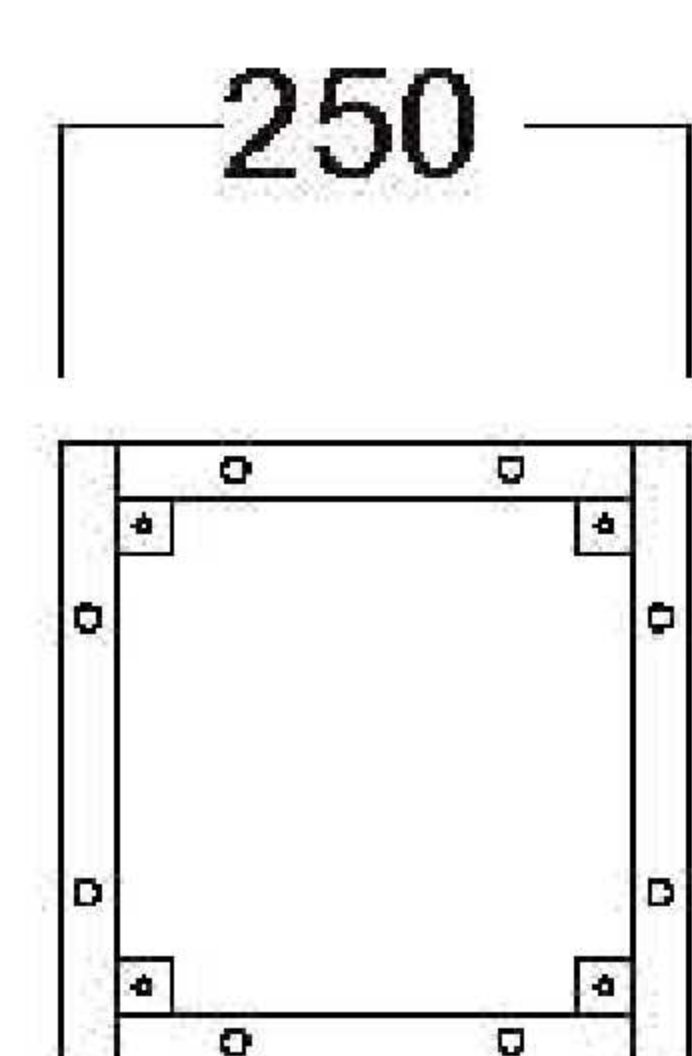
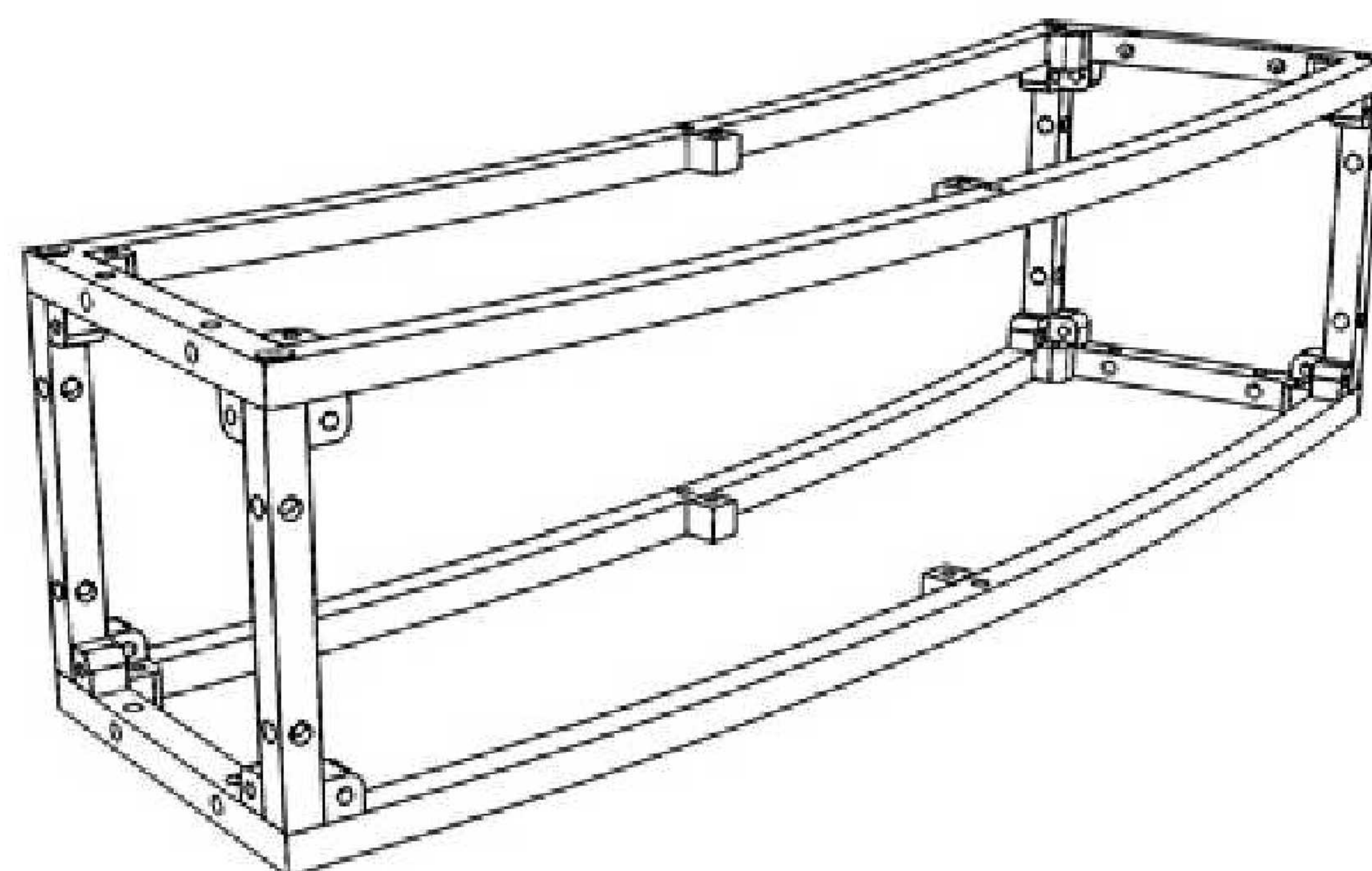
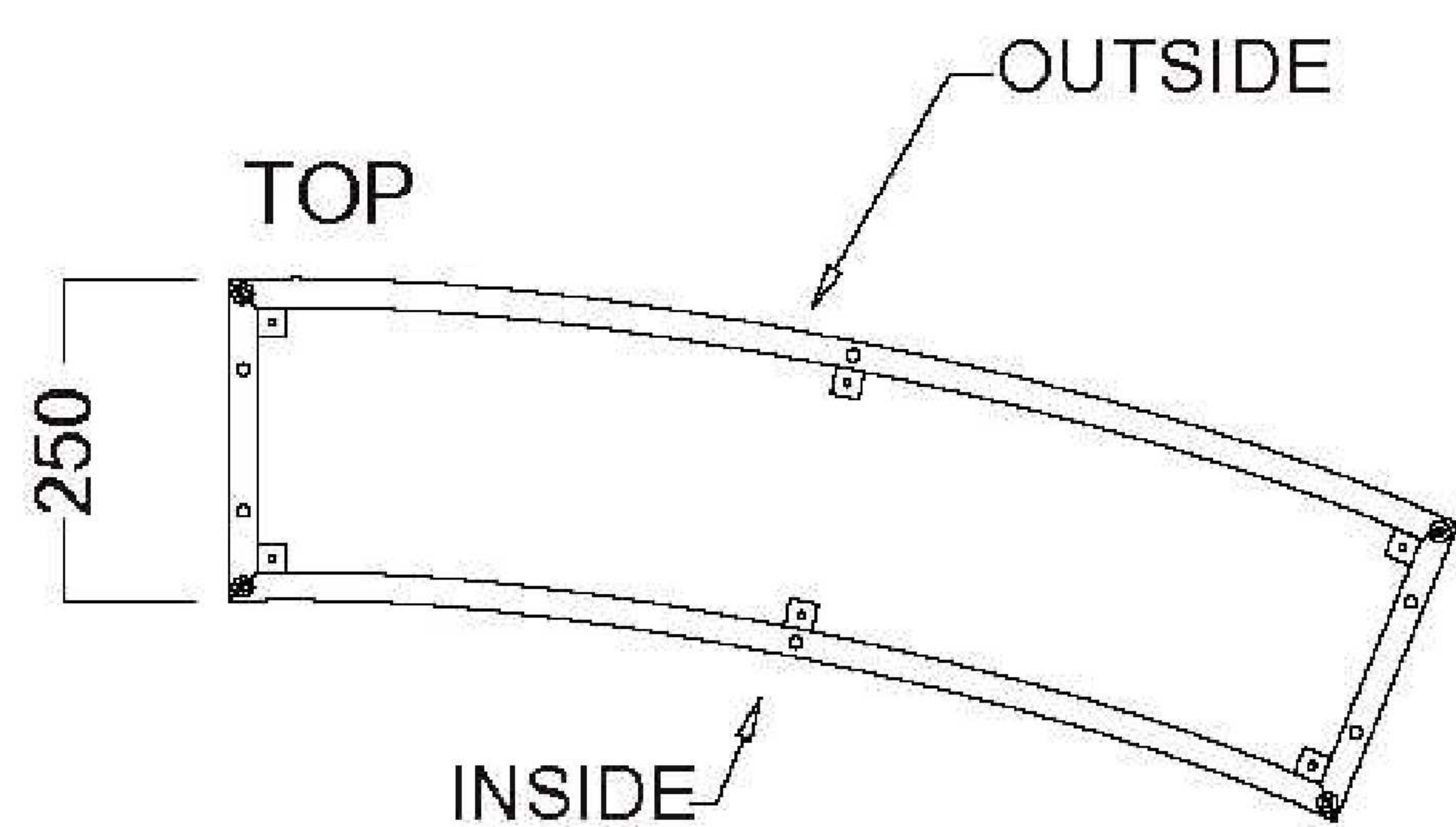
The size of the finishing materials



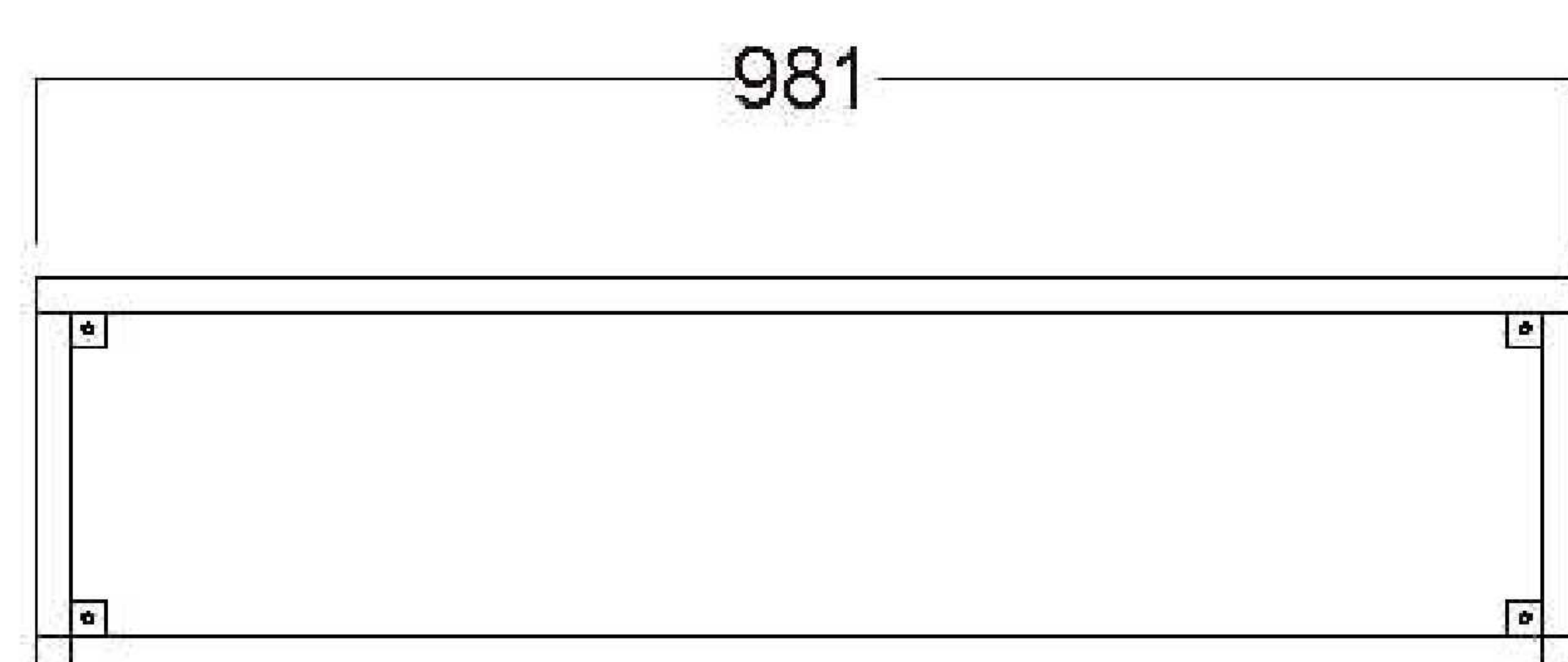
T-wave G250

Podo International Corp.
Worldwide Solution

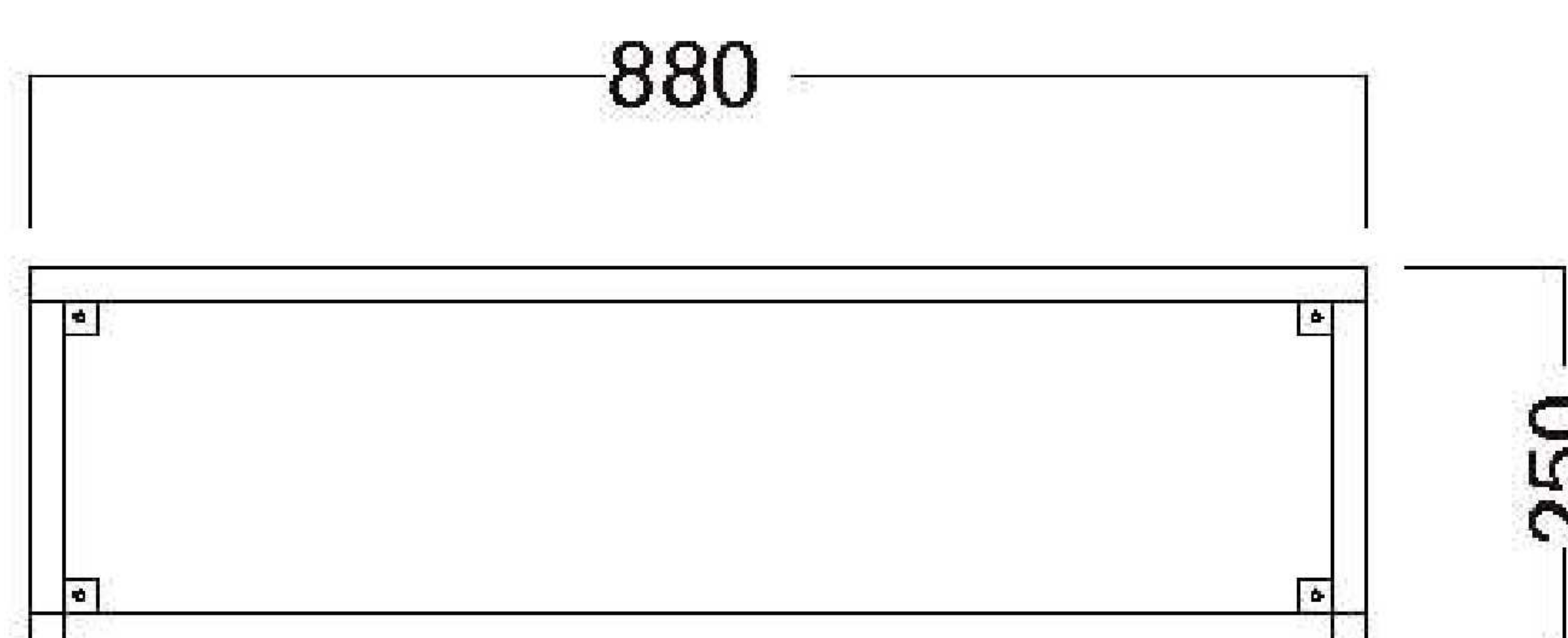
MATERIAL: ALLOY/A6061-T5
SURFACE FINISHING: BUFFING
SIZE: R2500x250(h)x250mm
UNIT WEIGHT: 4.28kg



SIDE

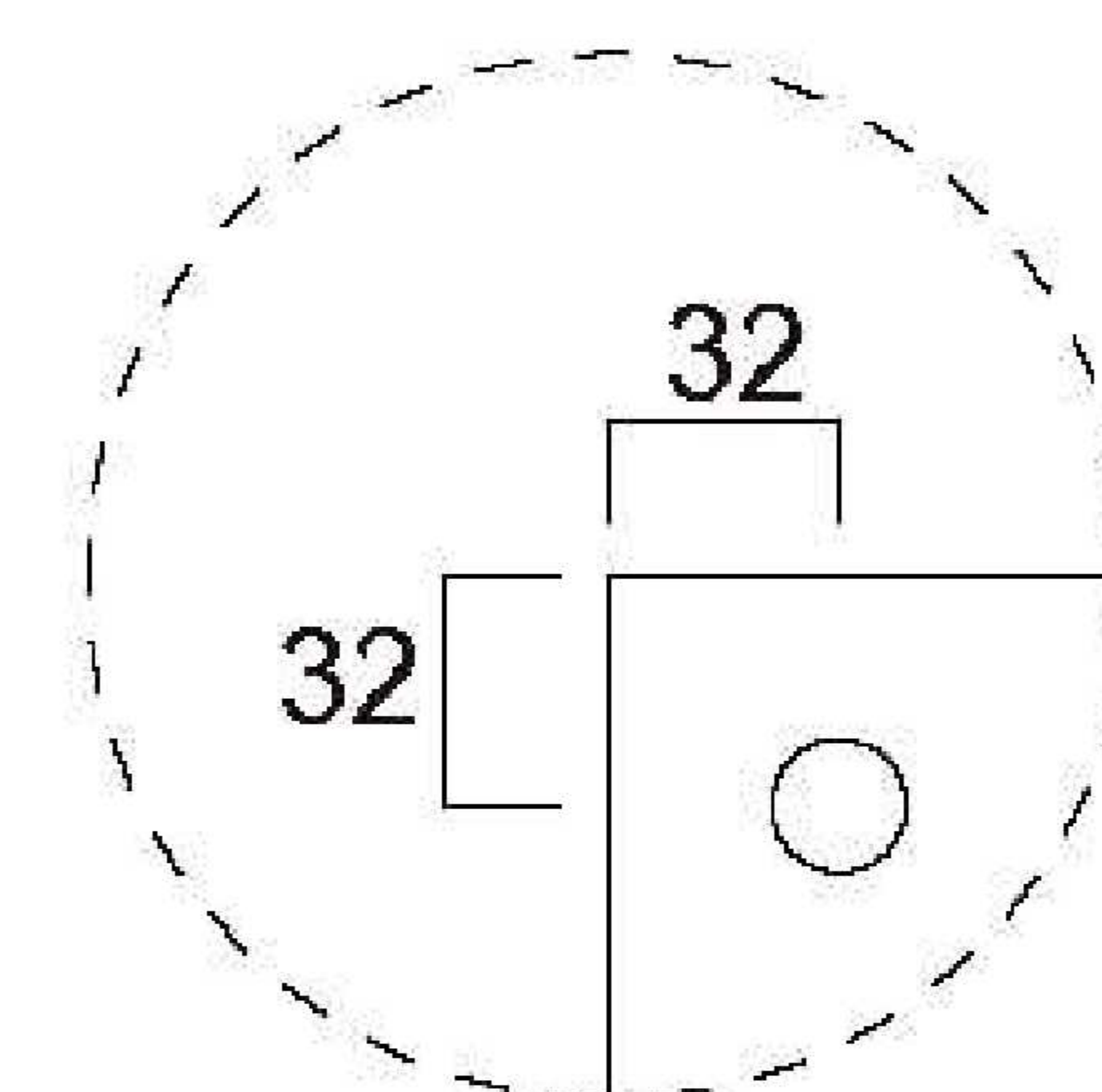
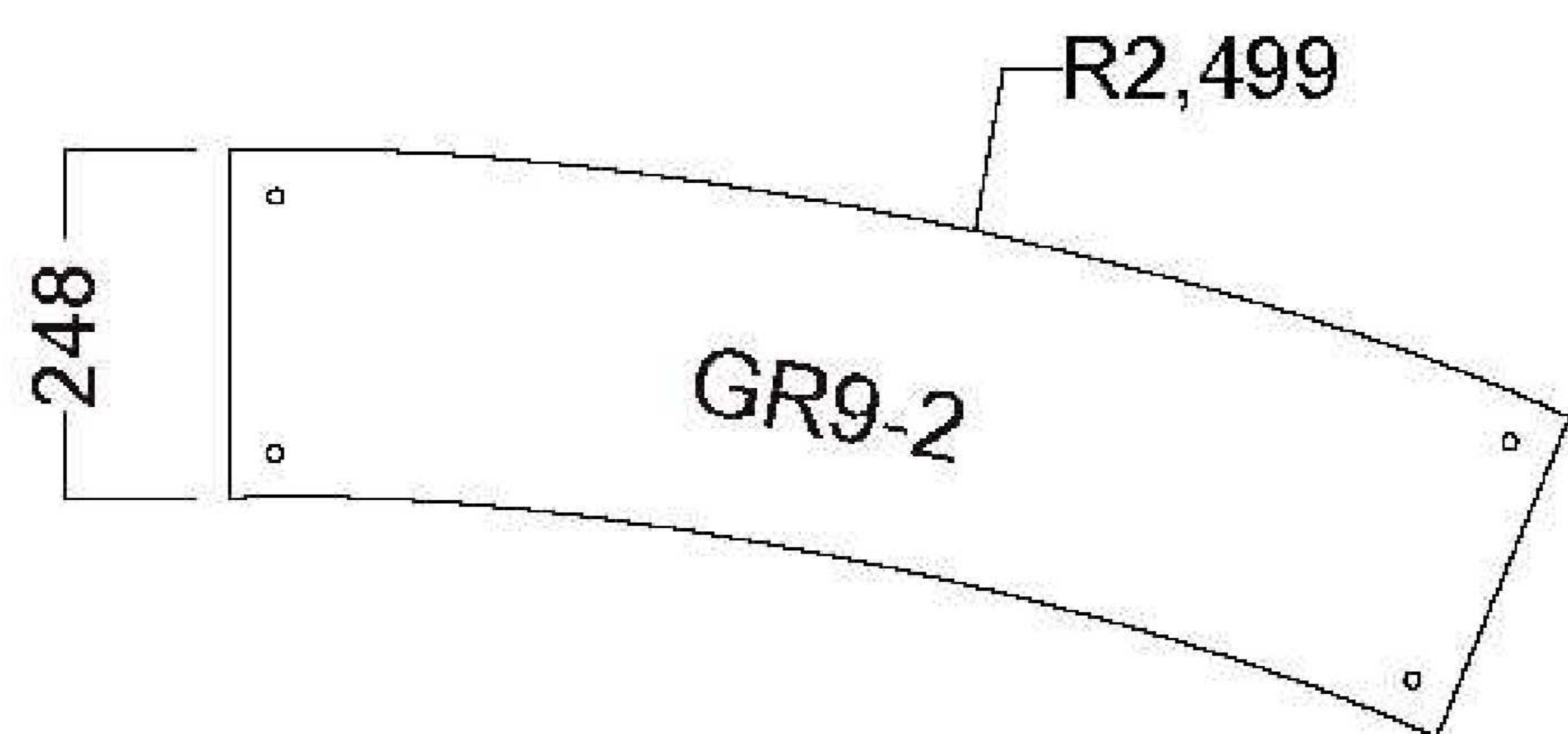


OUTSIDE-unfold

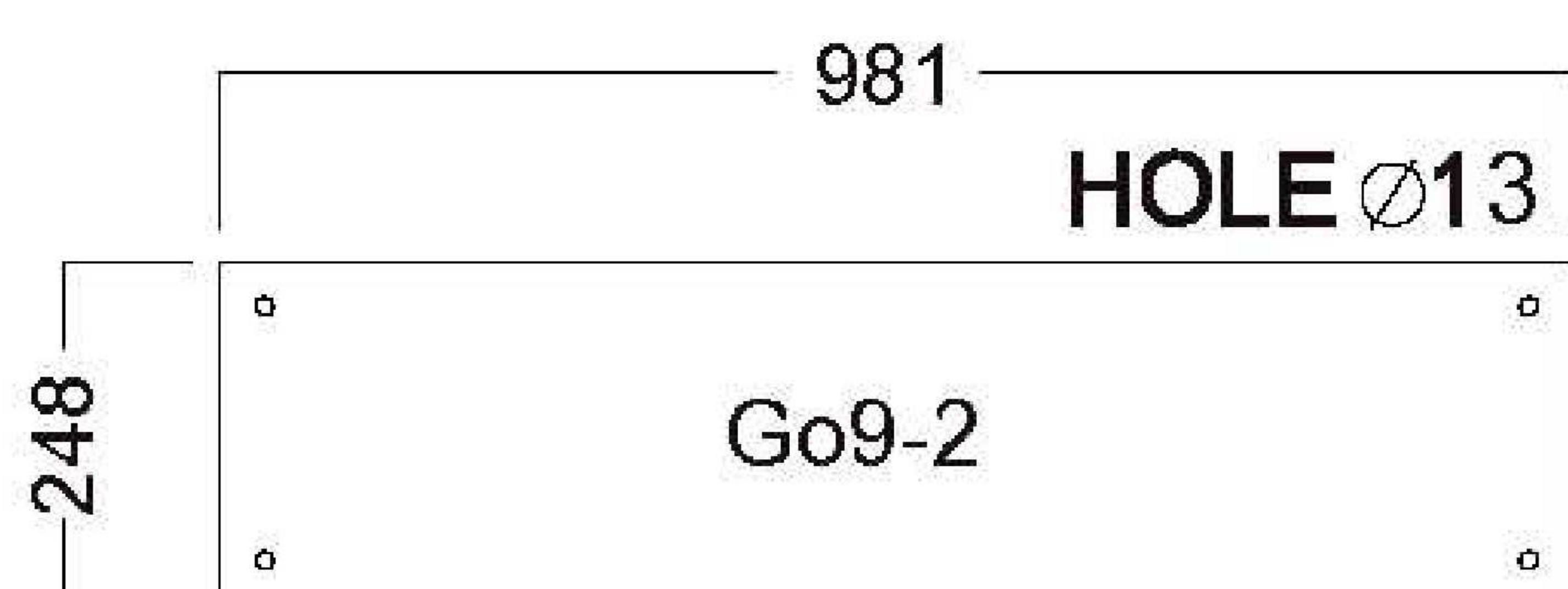


INSIDE-unfold

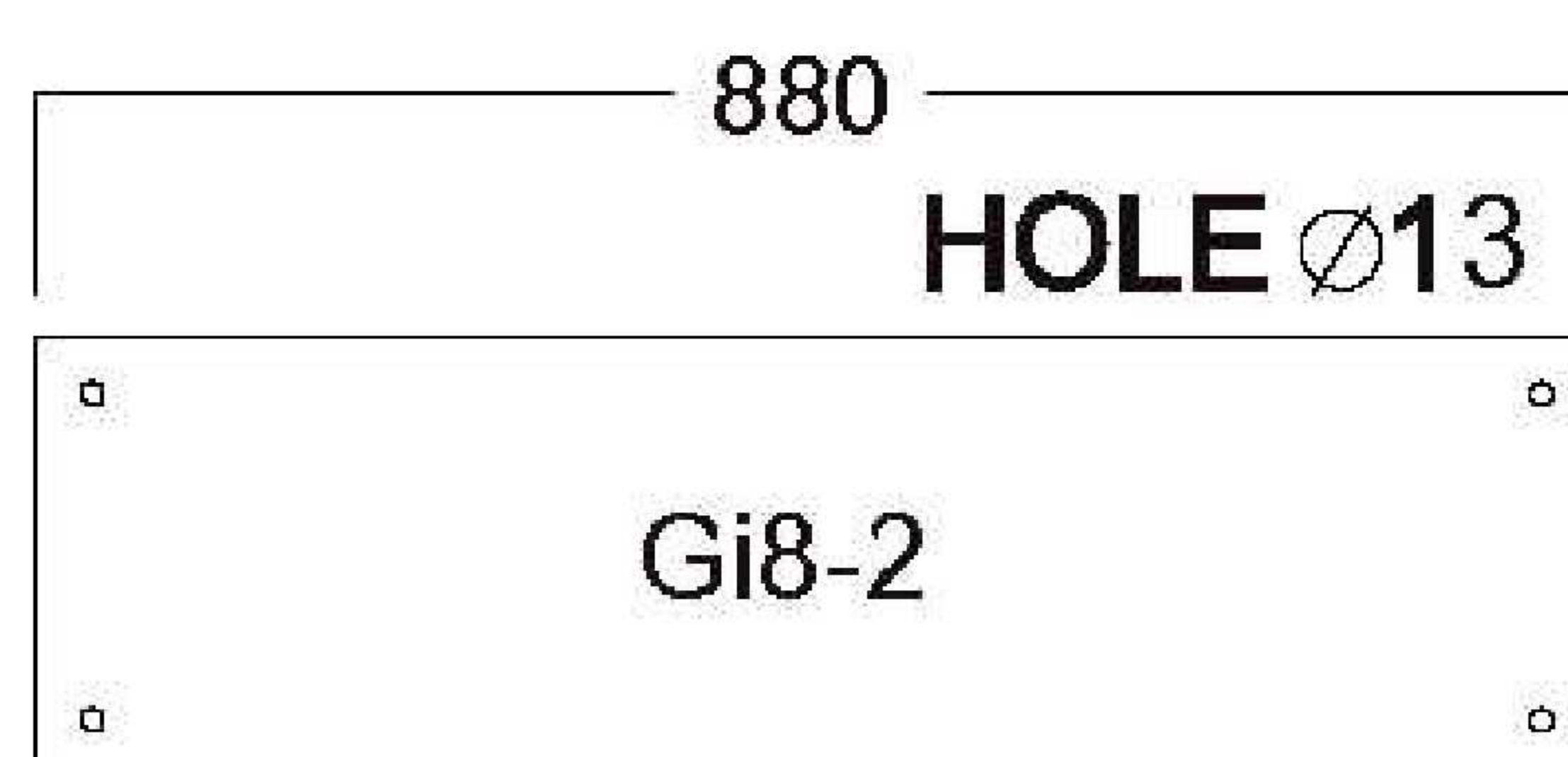
The size of the finishing materials



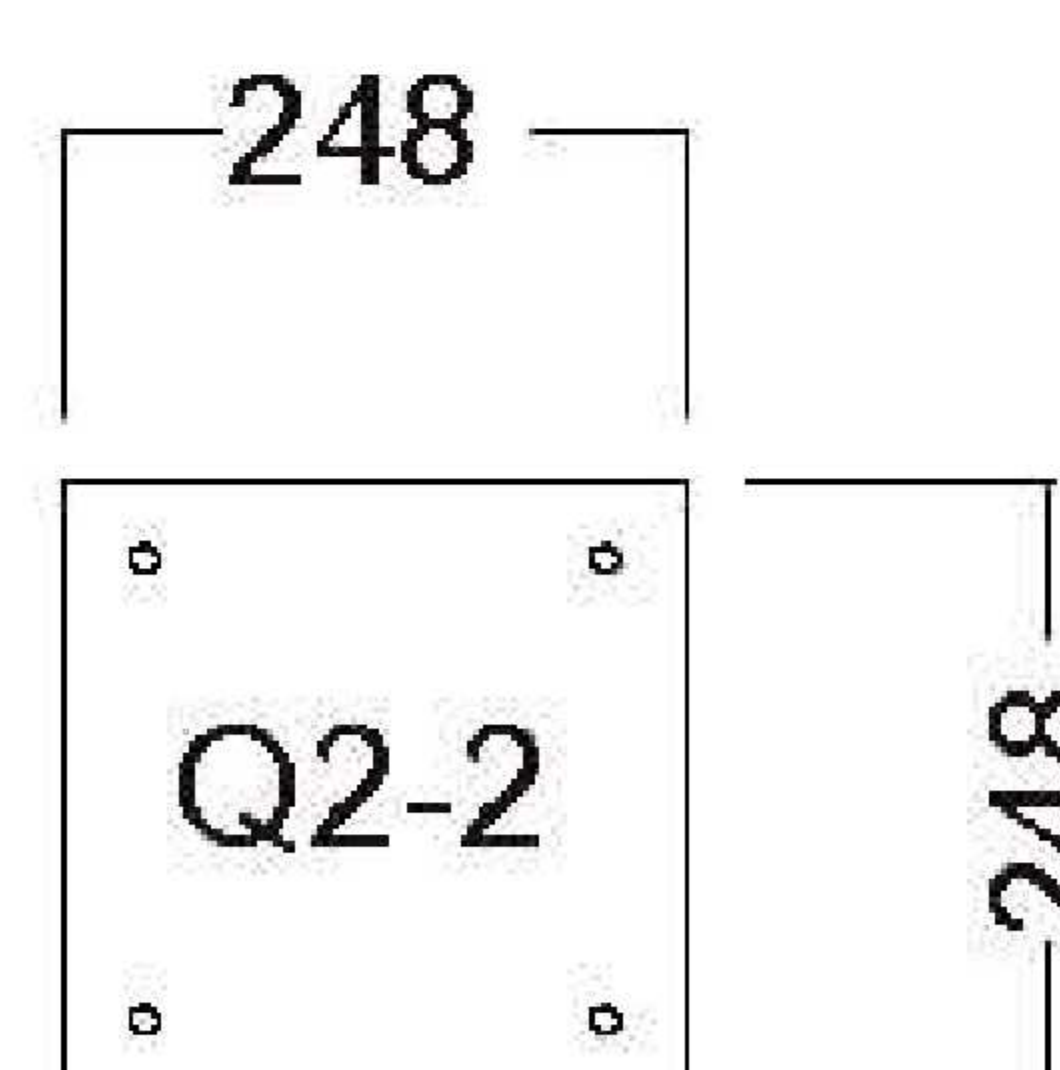
Standard Size
HOLE Ø11



Thk 2~4mm OUTSIDE-unfold



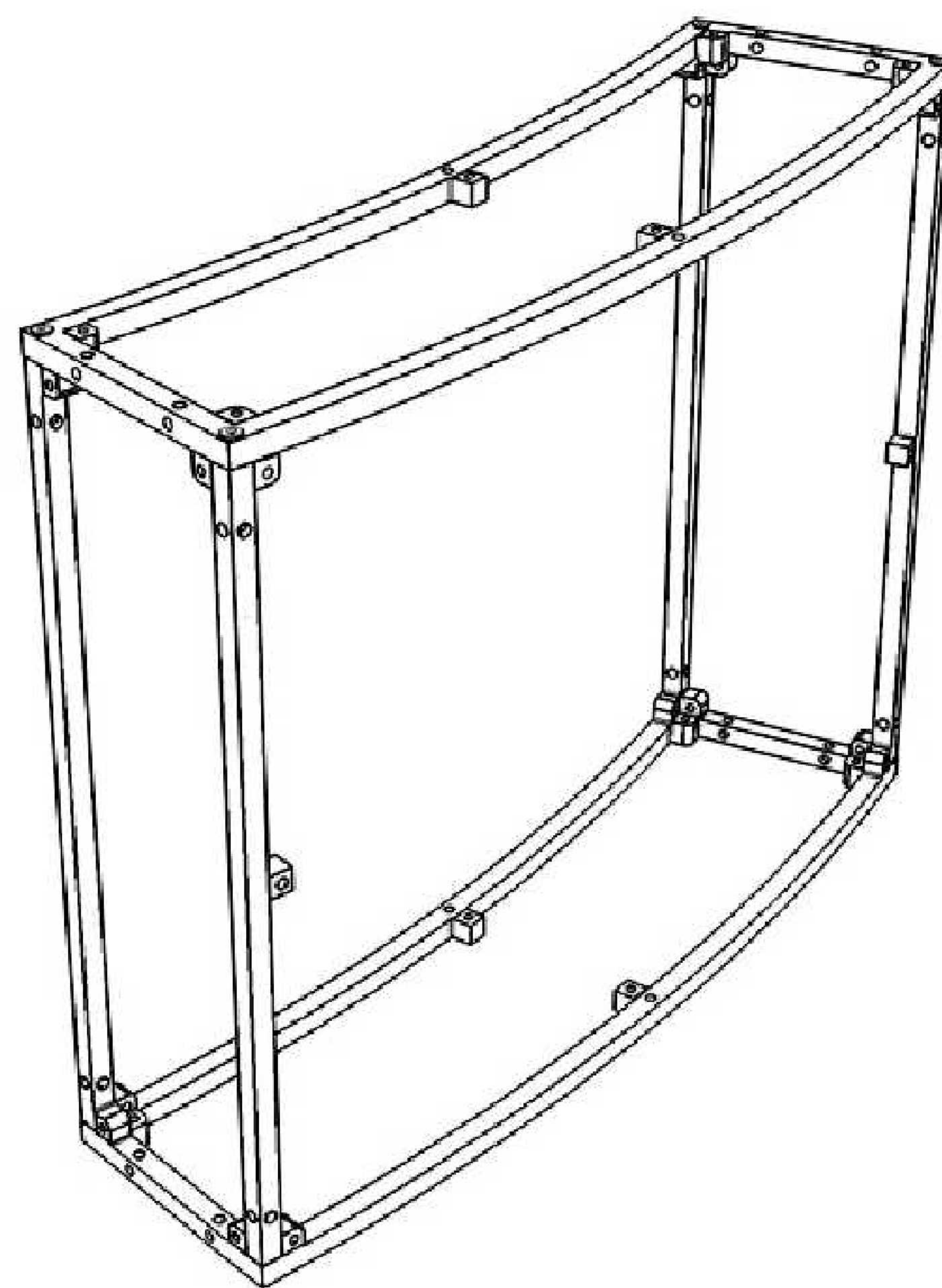
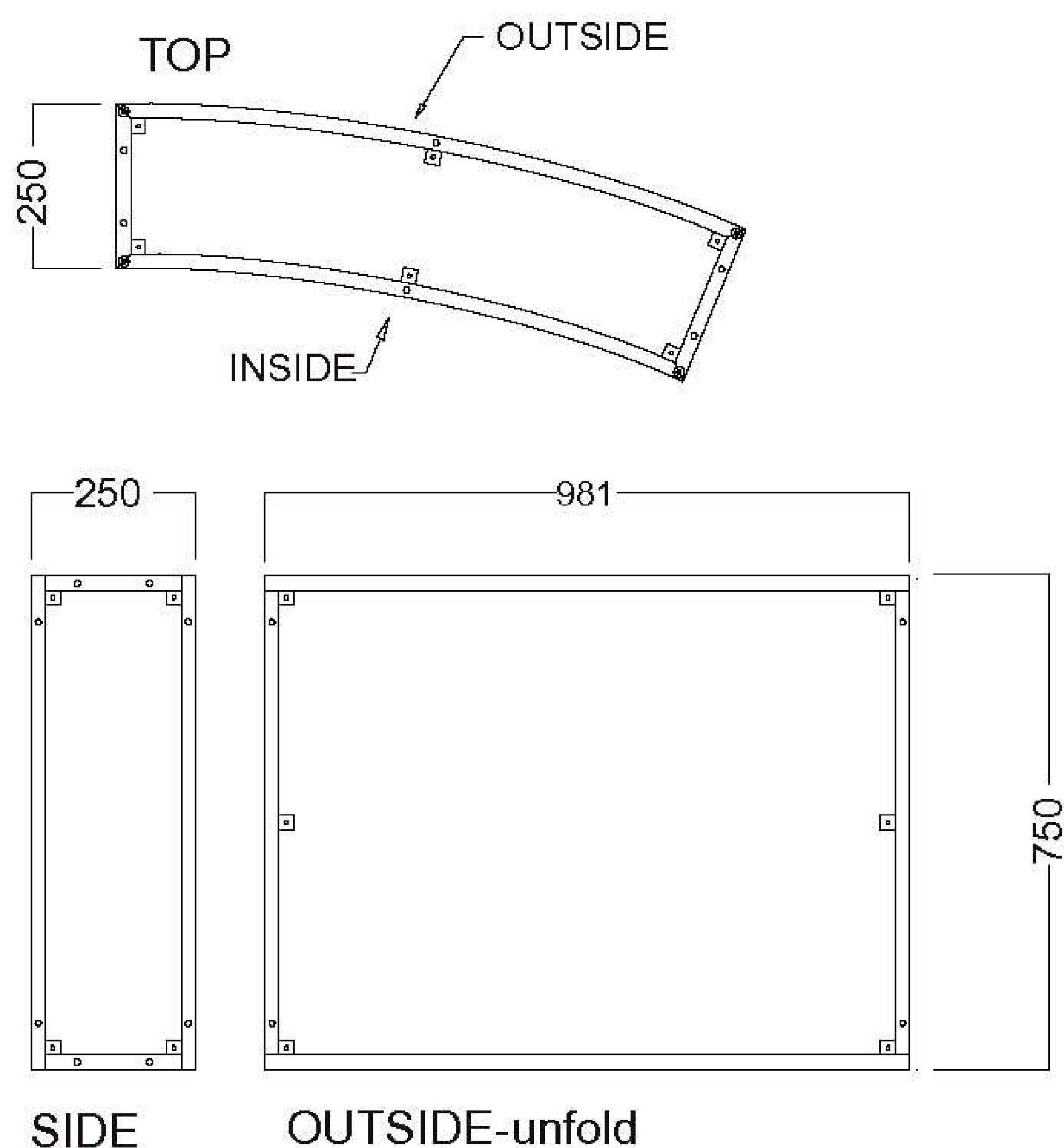
Thk 2~4mm INSIDE-unfold



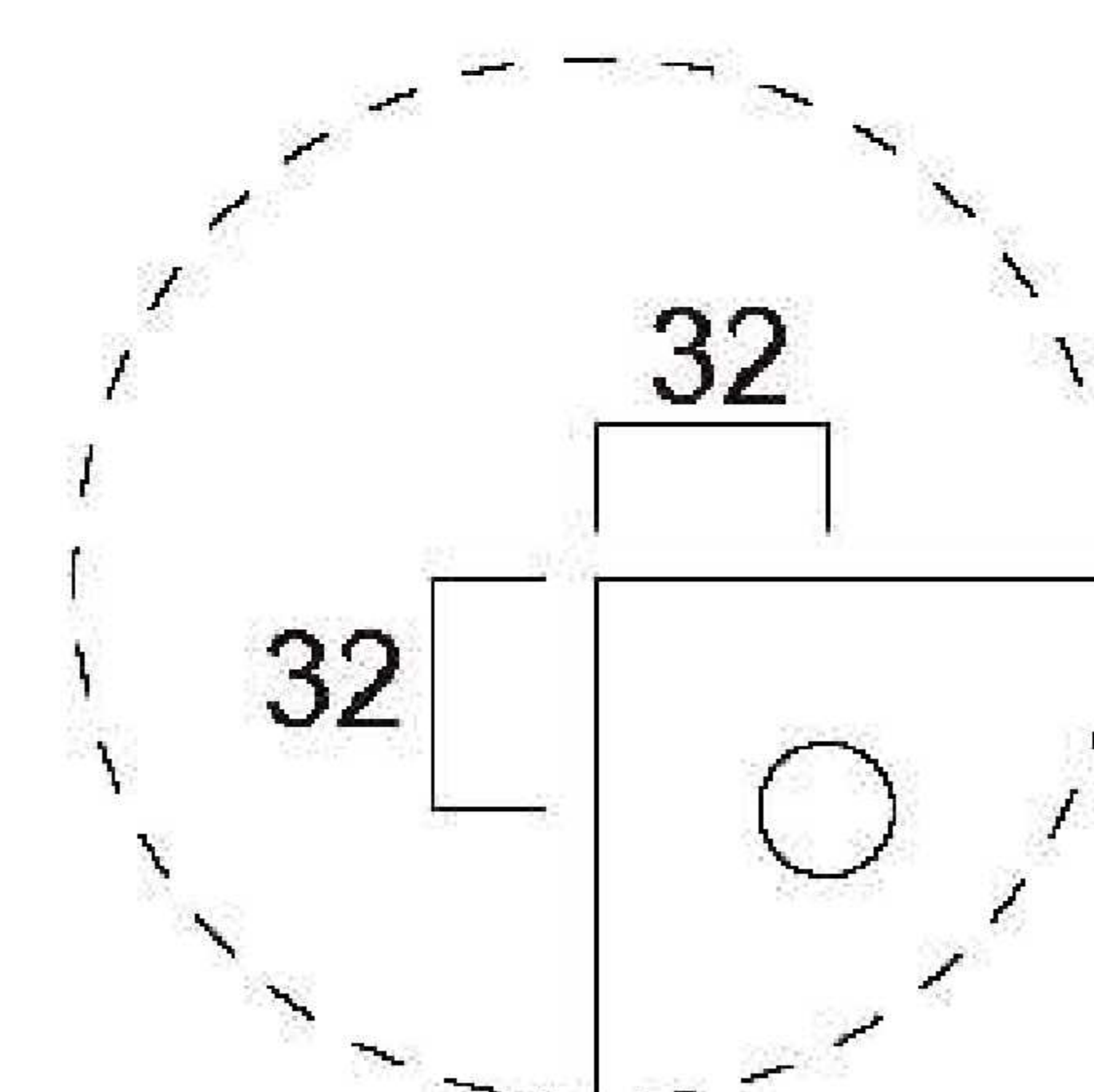
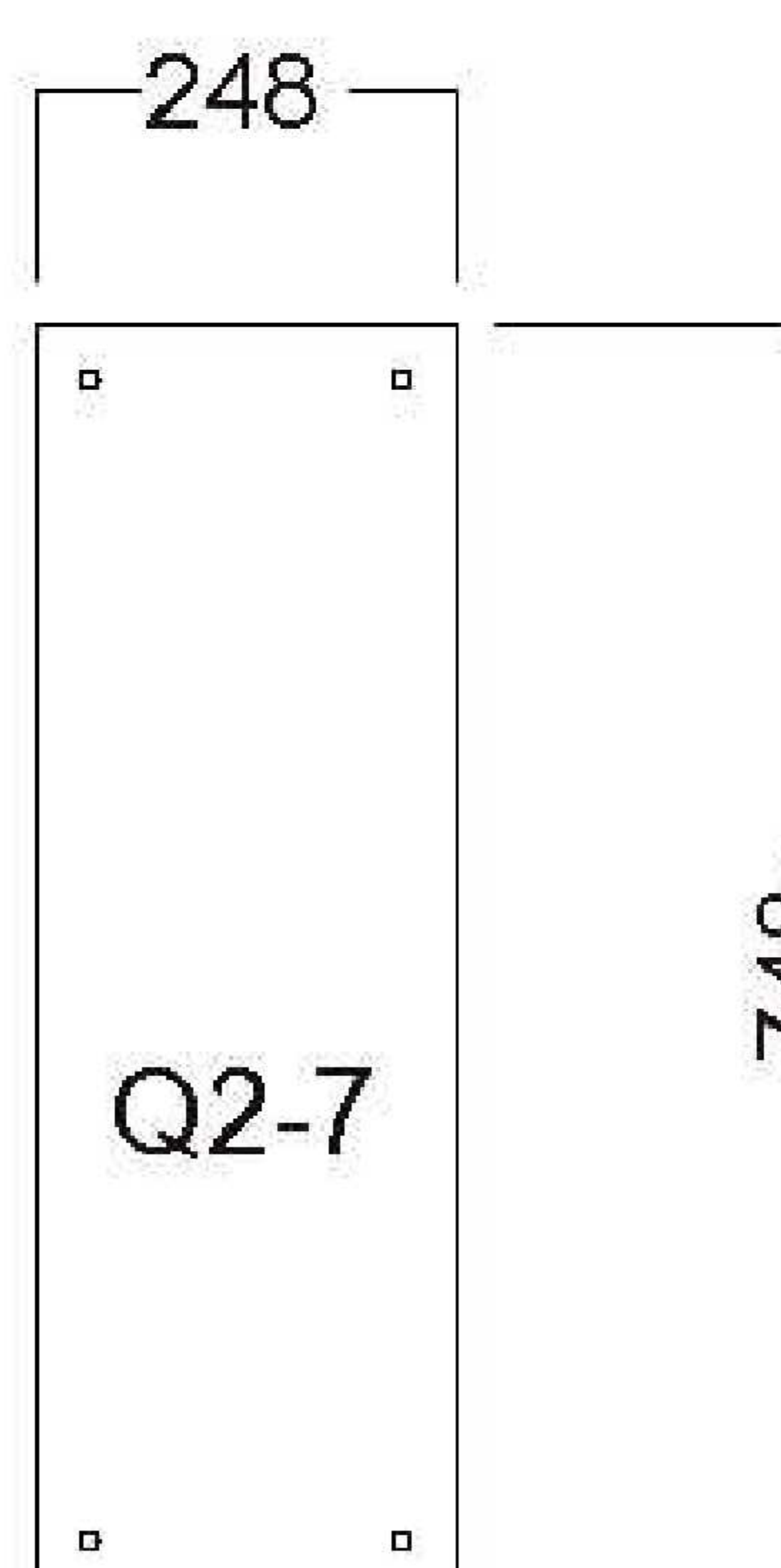
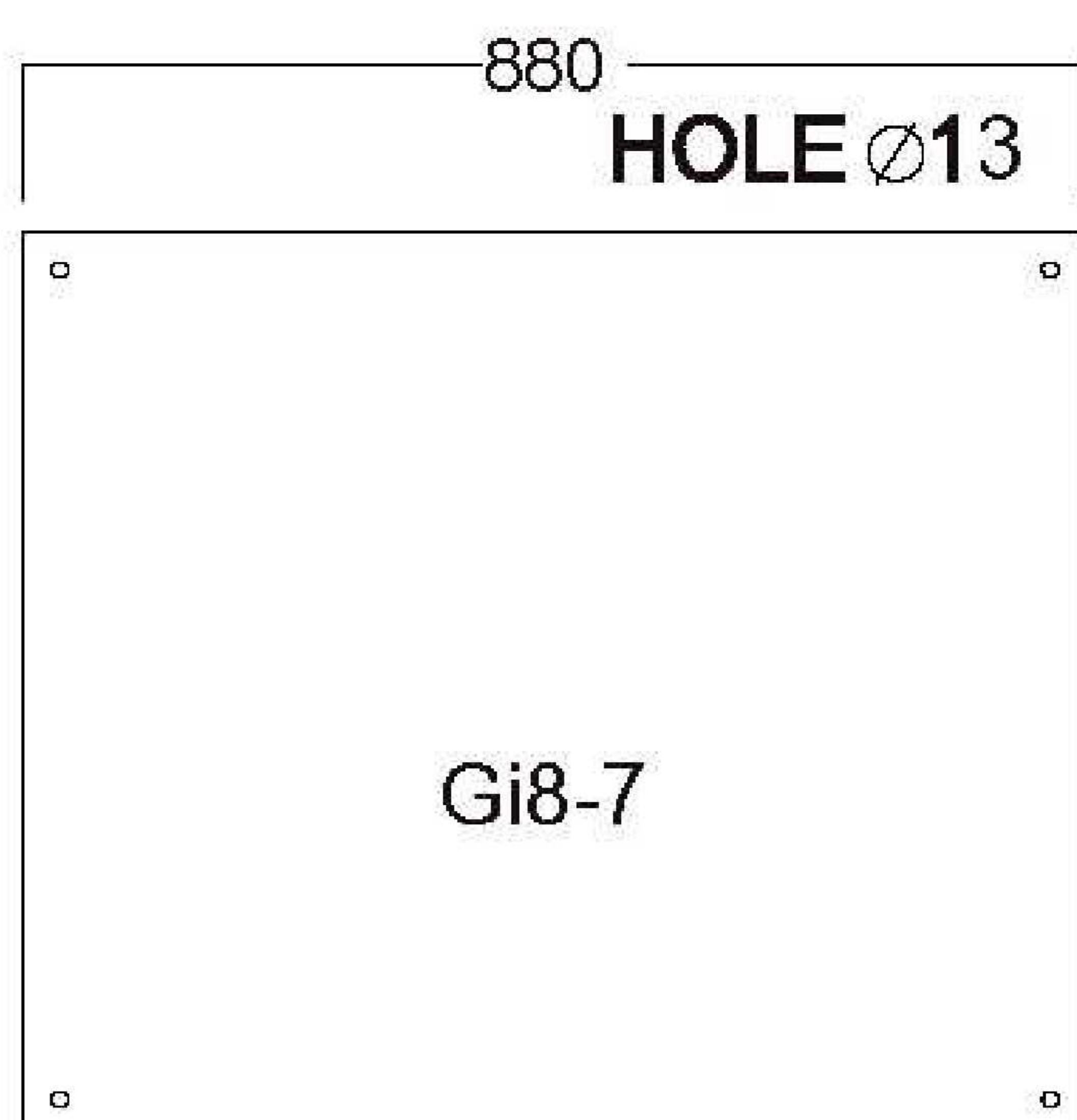
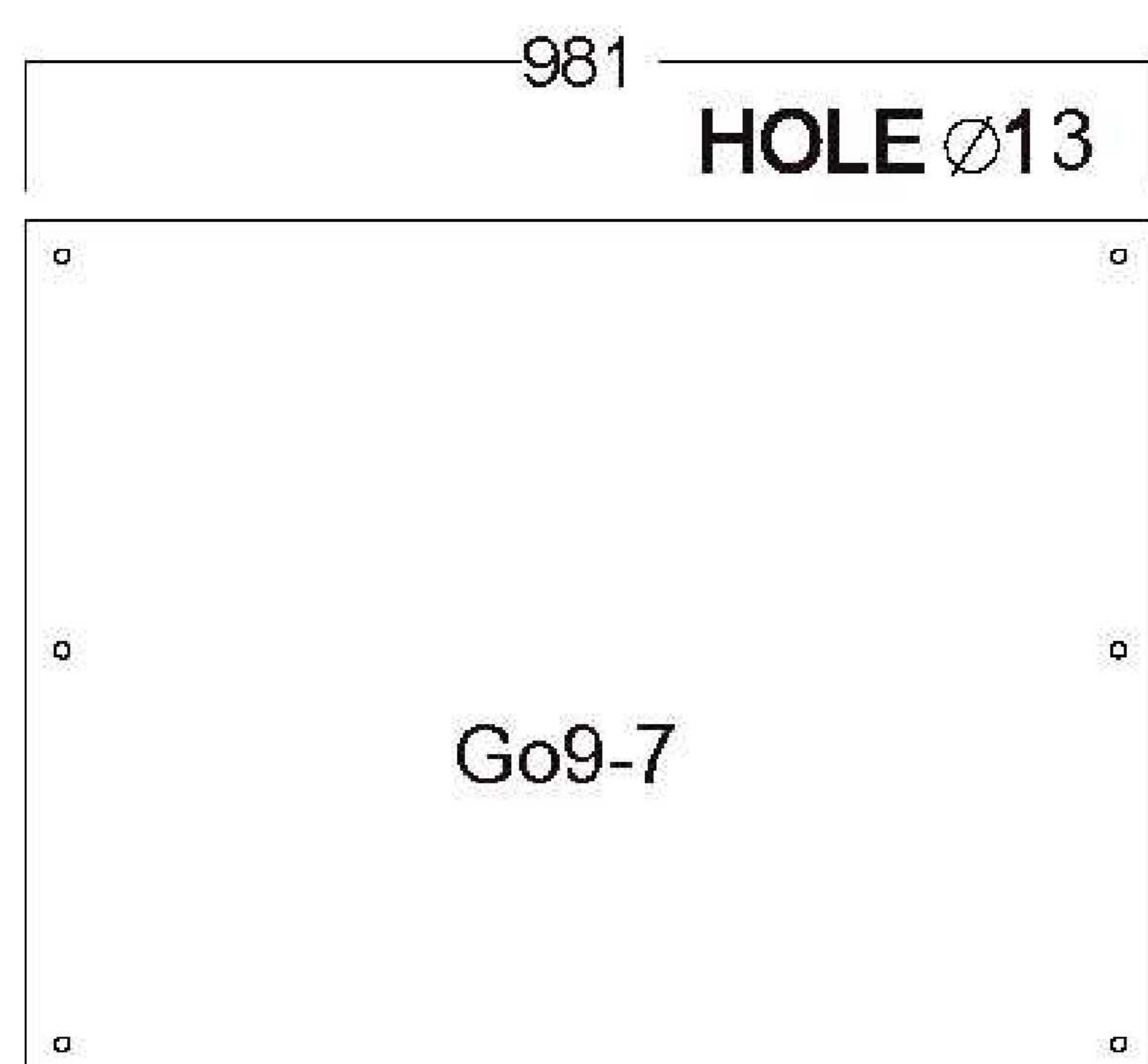
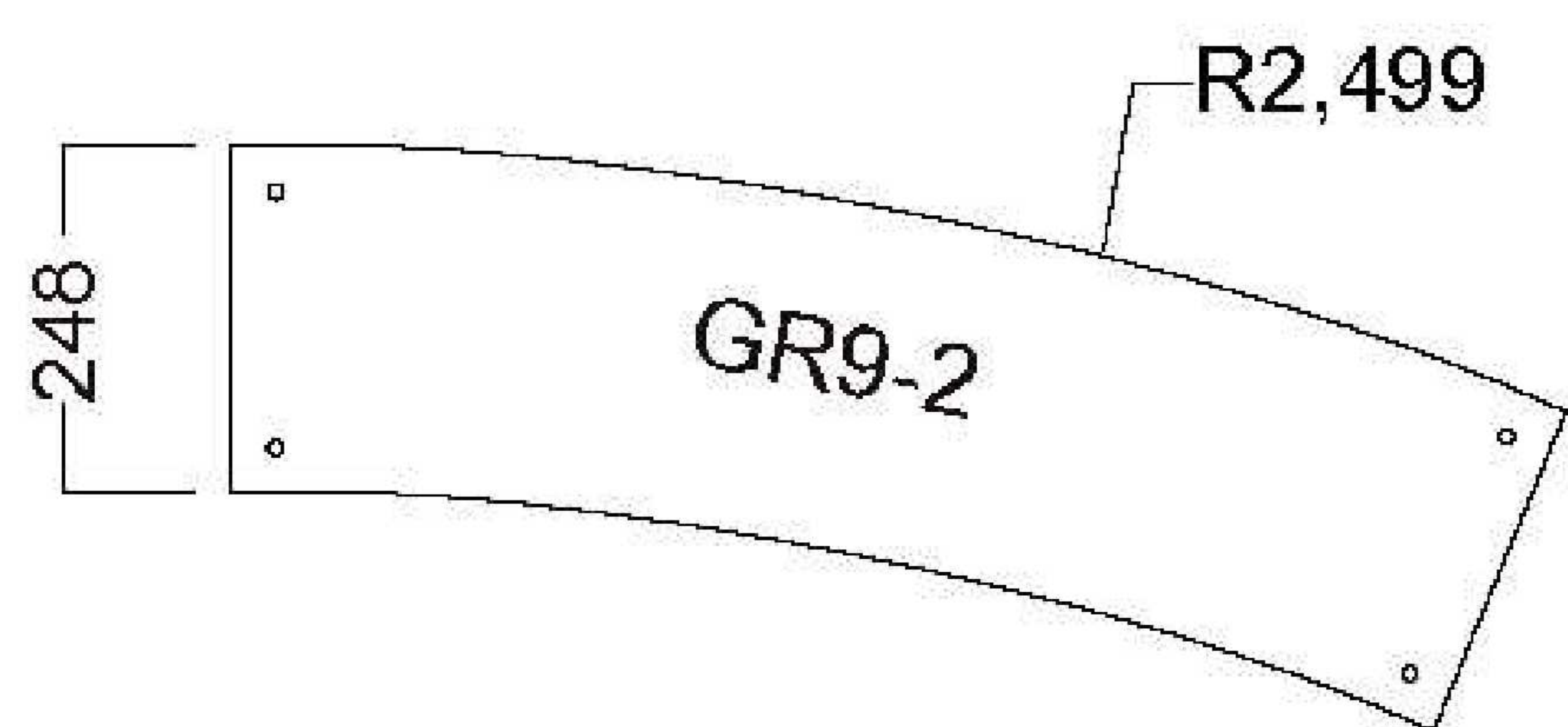
T-wave G750

Podo International Corp.
Worldwide Solution

MATERIAL: ALLOY/A6061-T5
SURFACE FINISHING: BUFFING
SIZE: R2500x750(h)x250mm
UNIT WEIGHT: 5.66kg



The size of the finishing materials



Standard Size
HOLE Ø11

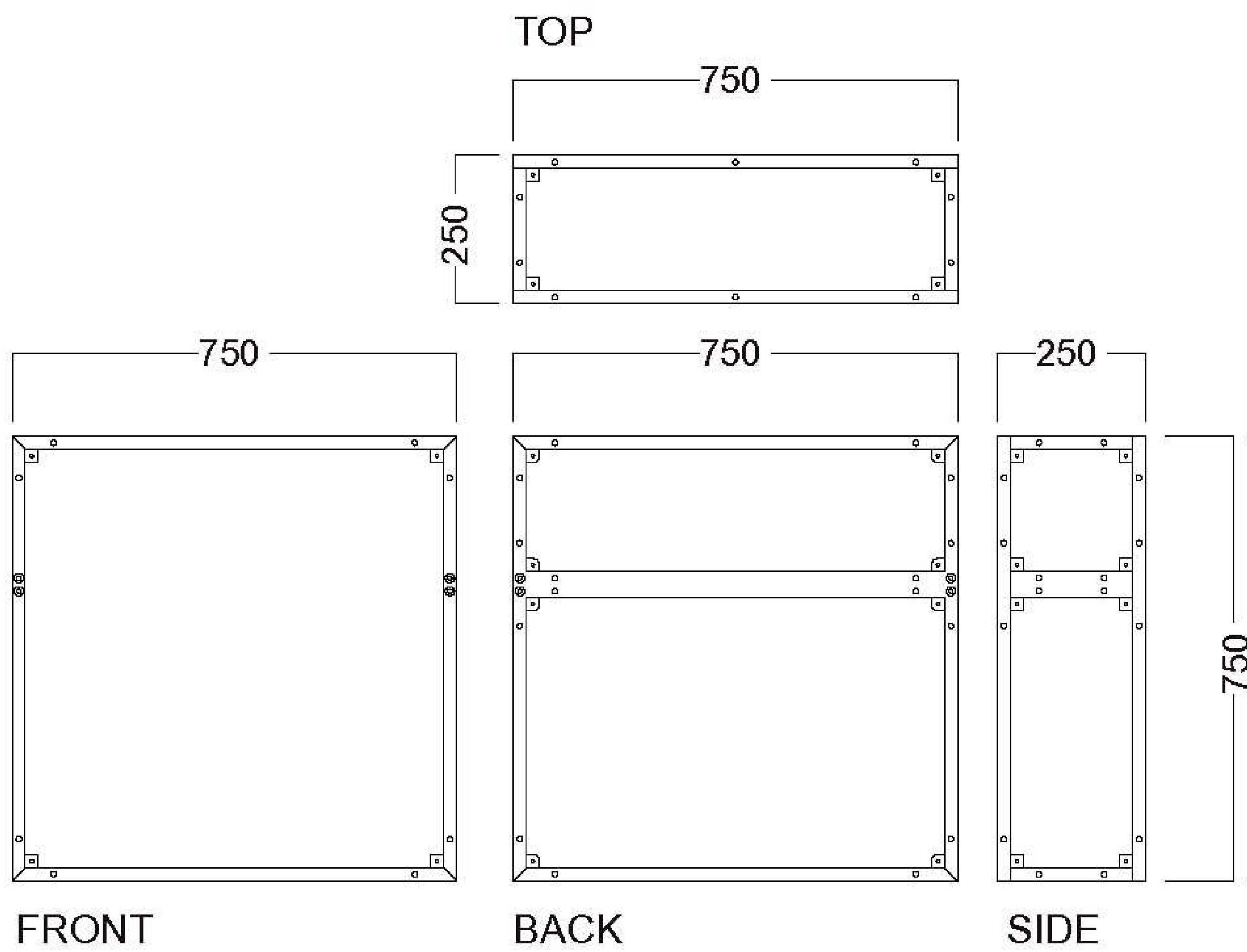
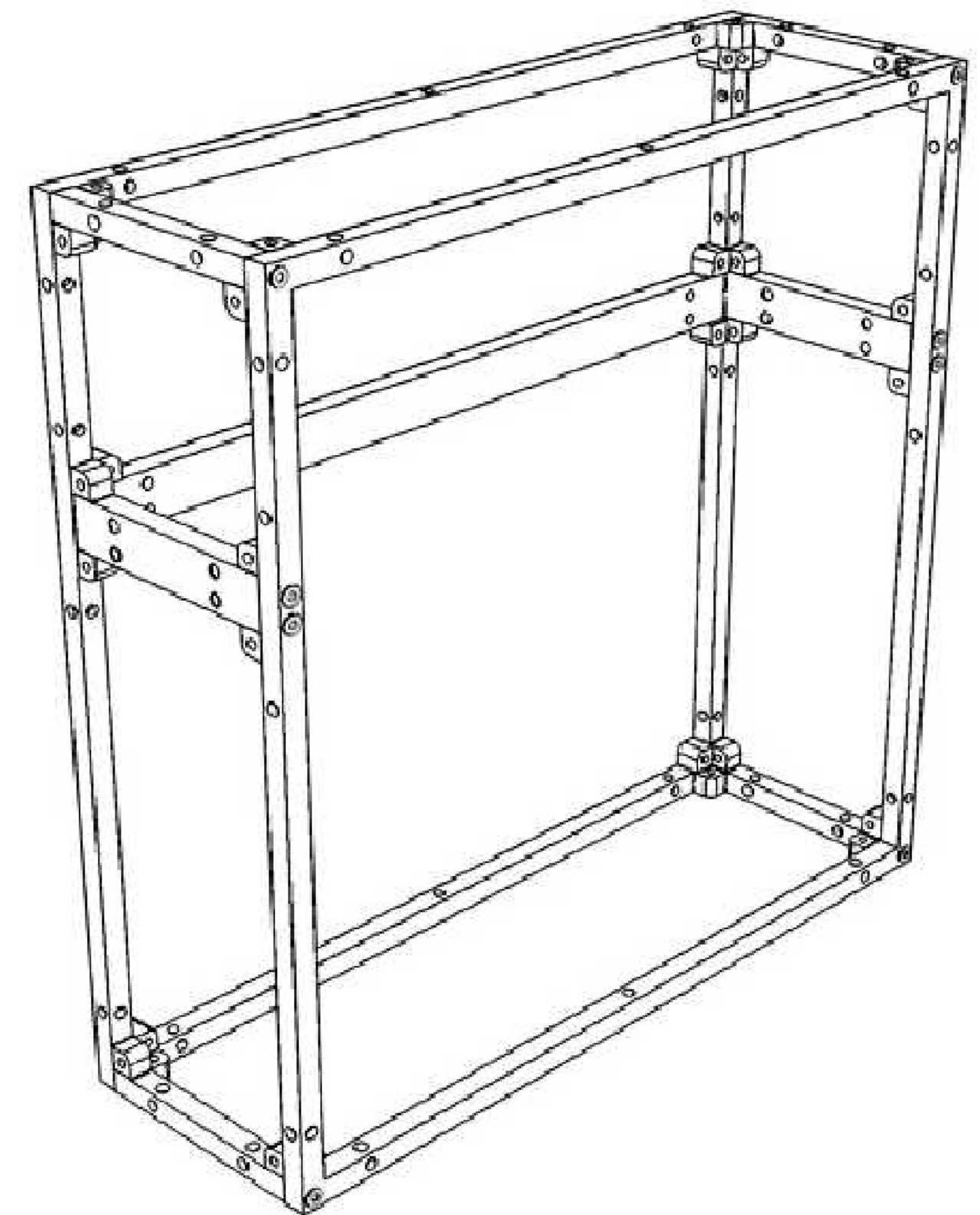
Thk 2~5mm OUTSIDE-unfold

Thk 2~5mm INSIDE-unfold

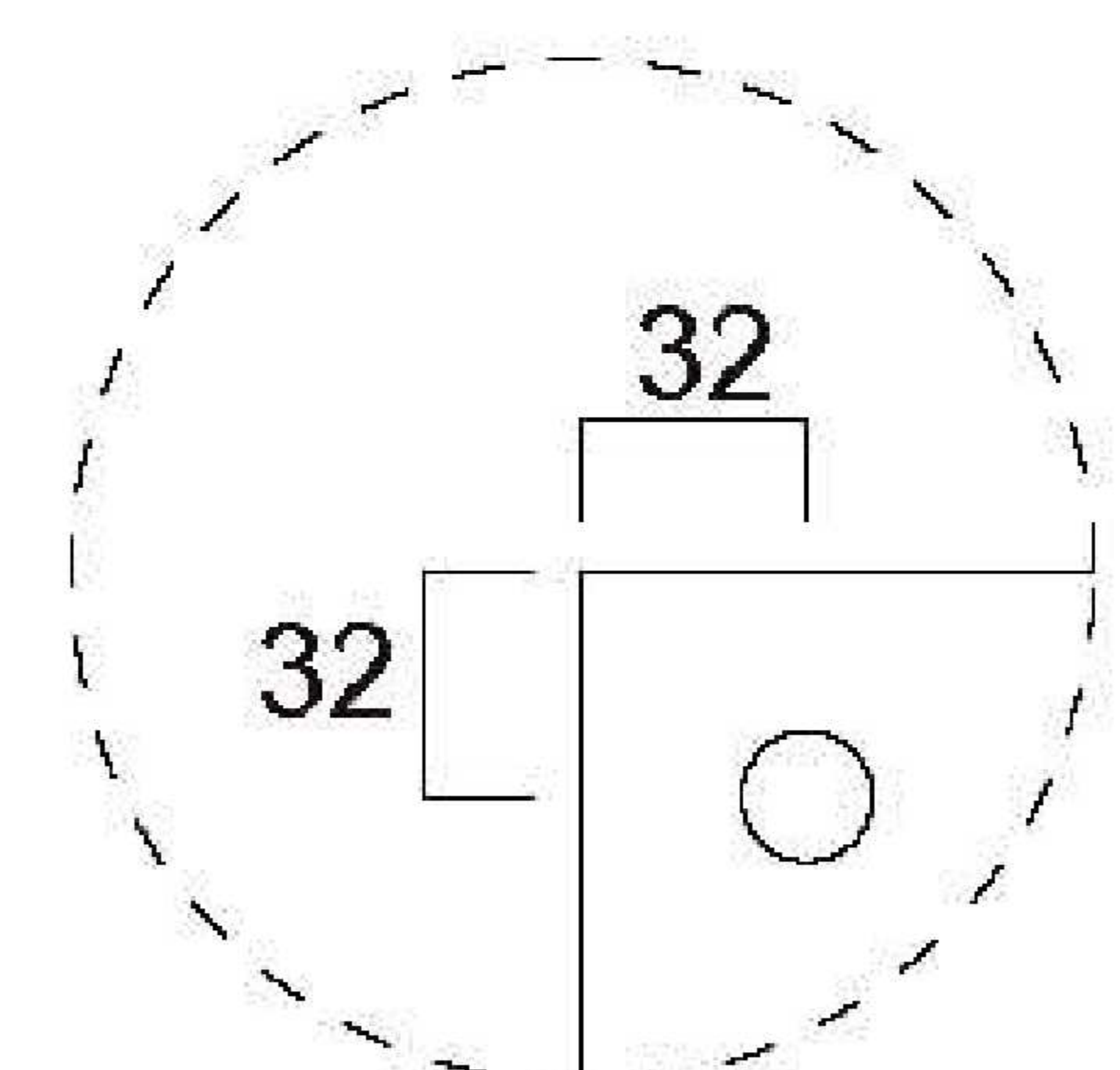
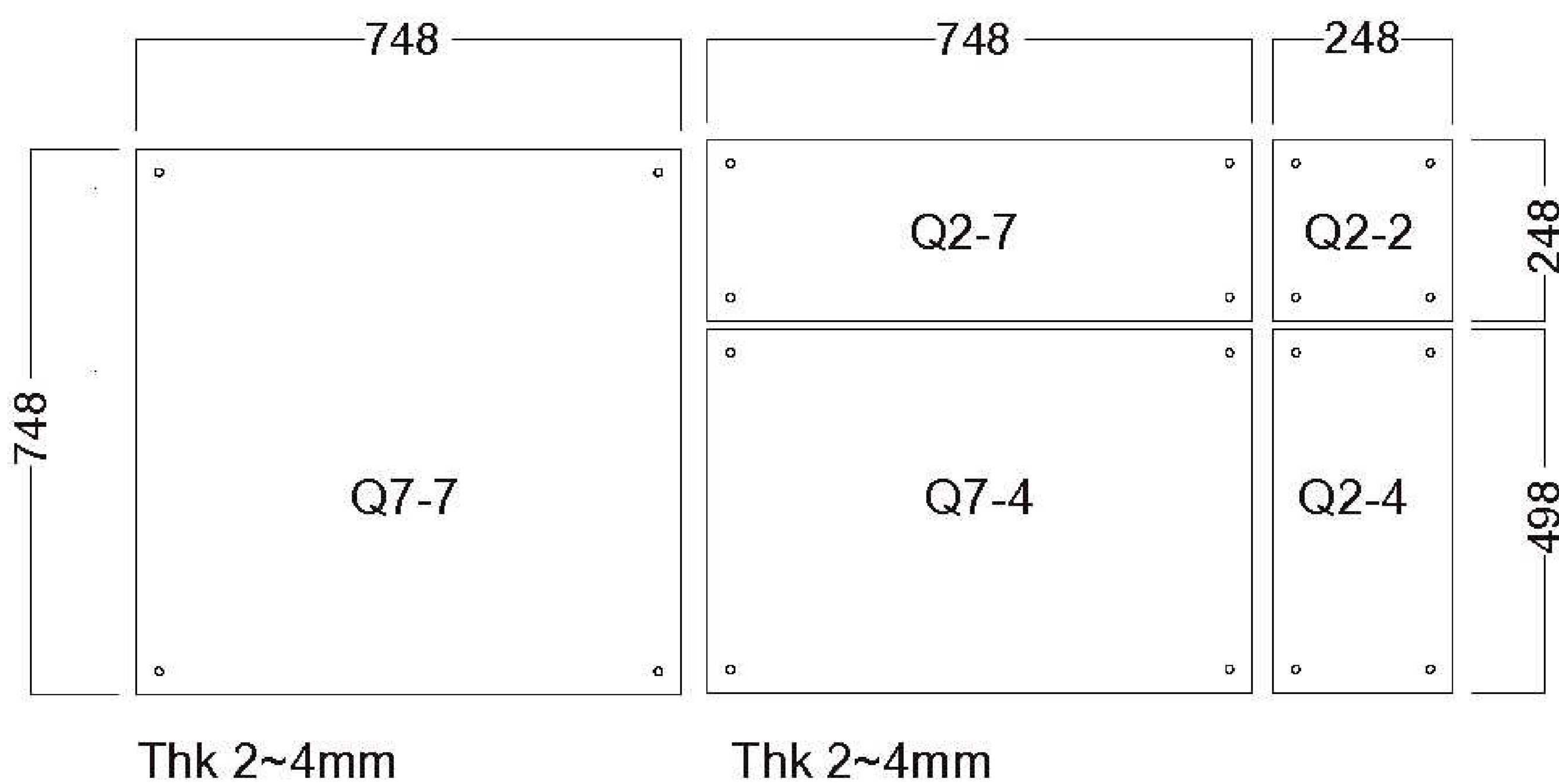
T-wave H750

Podo International Corp.
Worldwide Solution

MATERIAL: ALLOY/A6061-T5
SURFACE FINISHING: BUFFING
SIZE: 750x750(h)x250mm
UNIT WEIGHT: 6.85kg



The size of the finishing materials

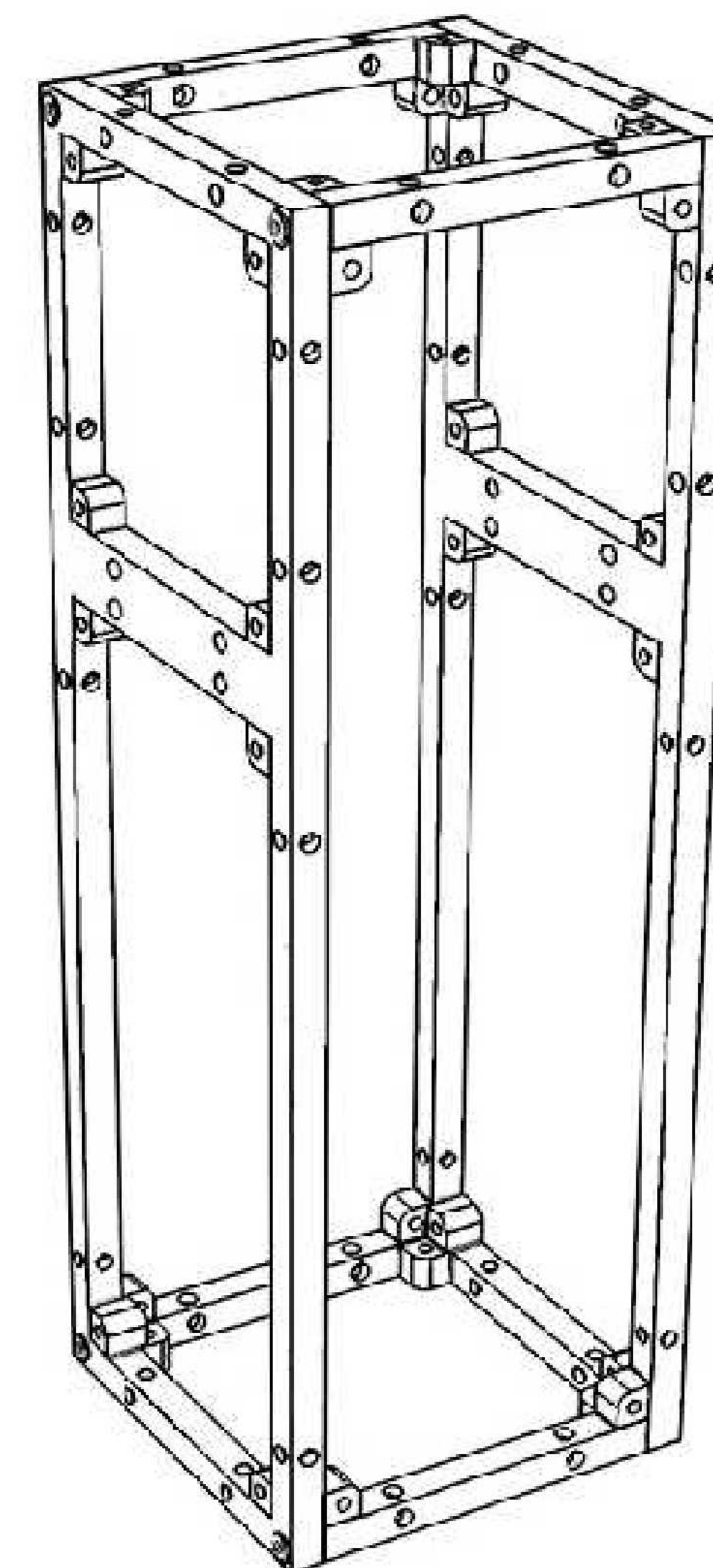
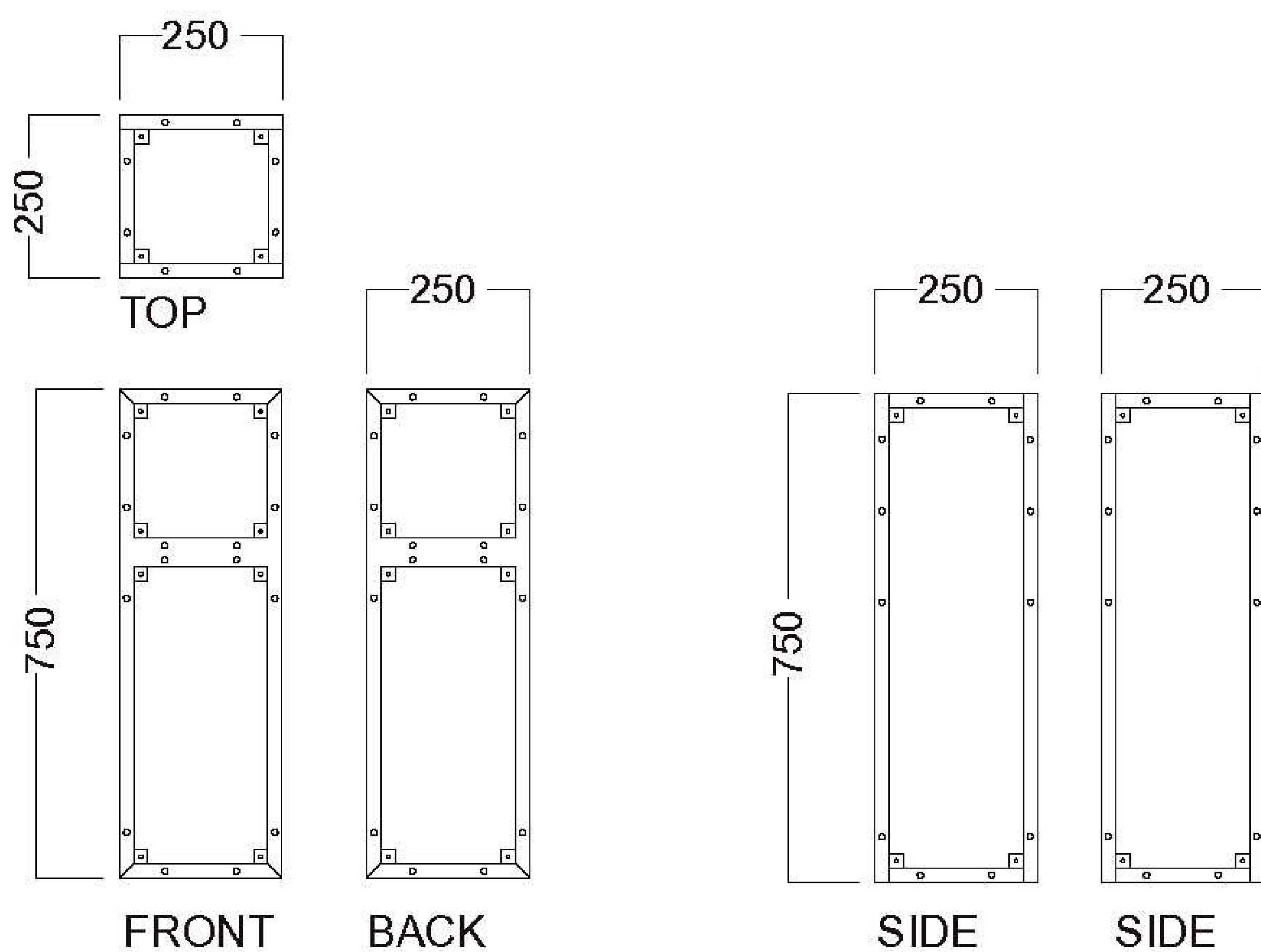


Standard Size
HOLE Ø11

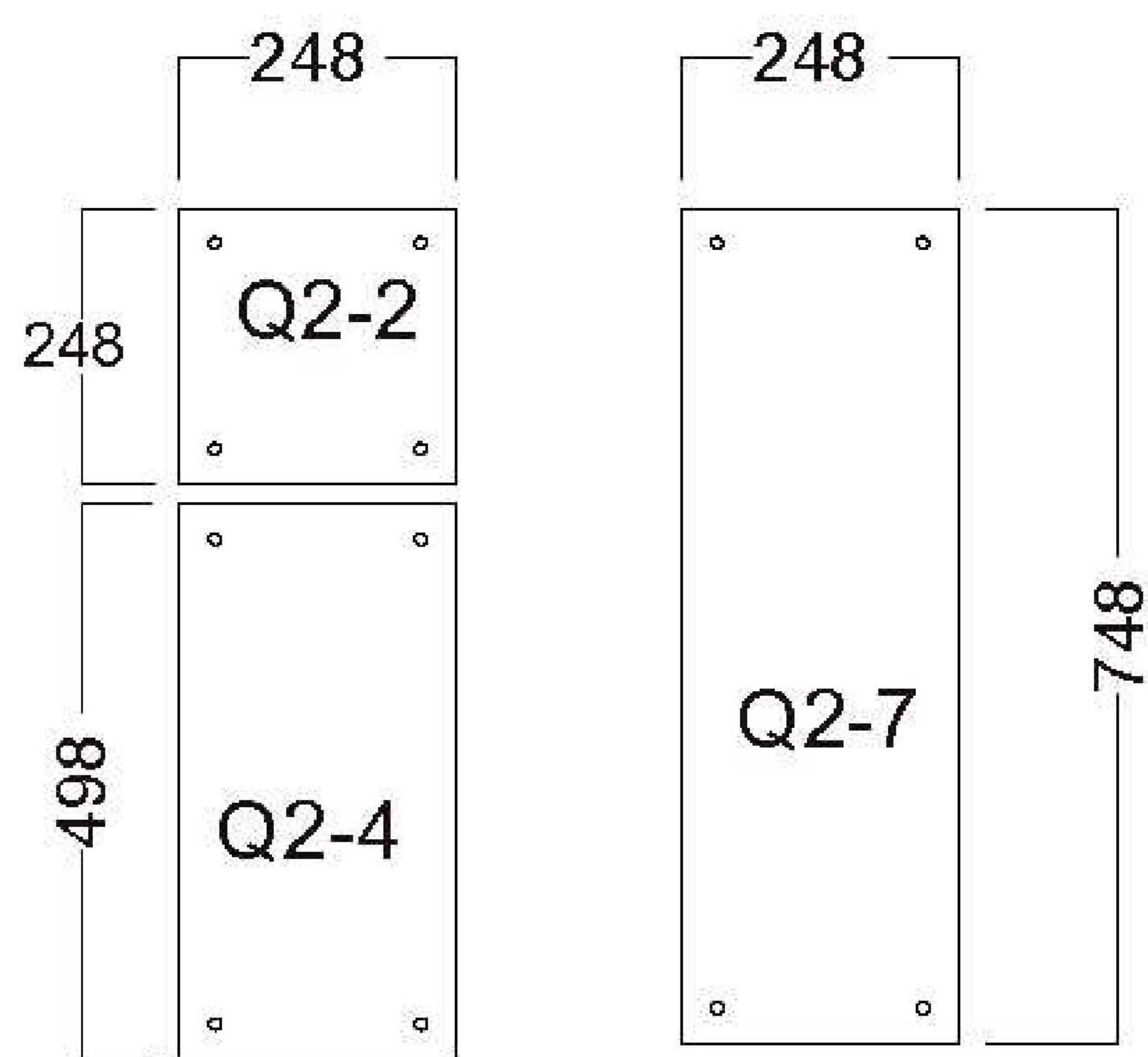
T-wave K750

Podo International Corp.
Worldwide Solution

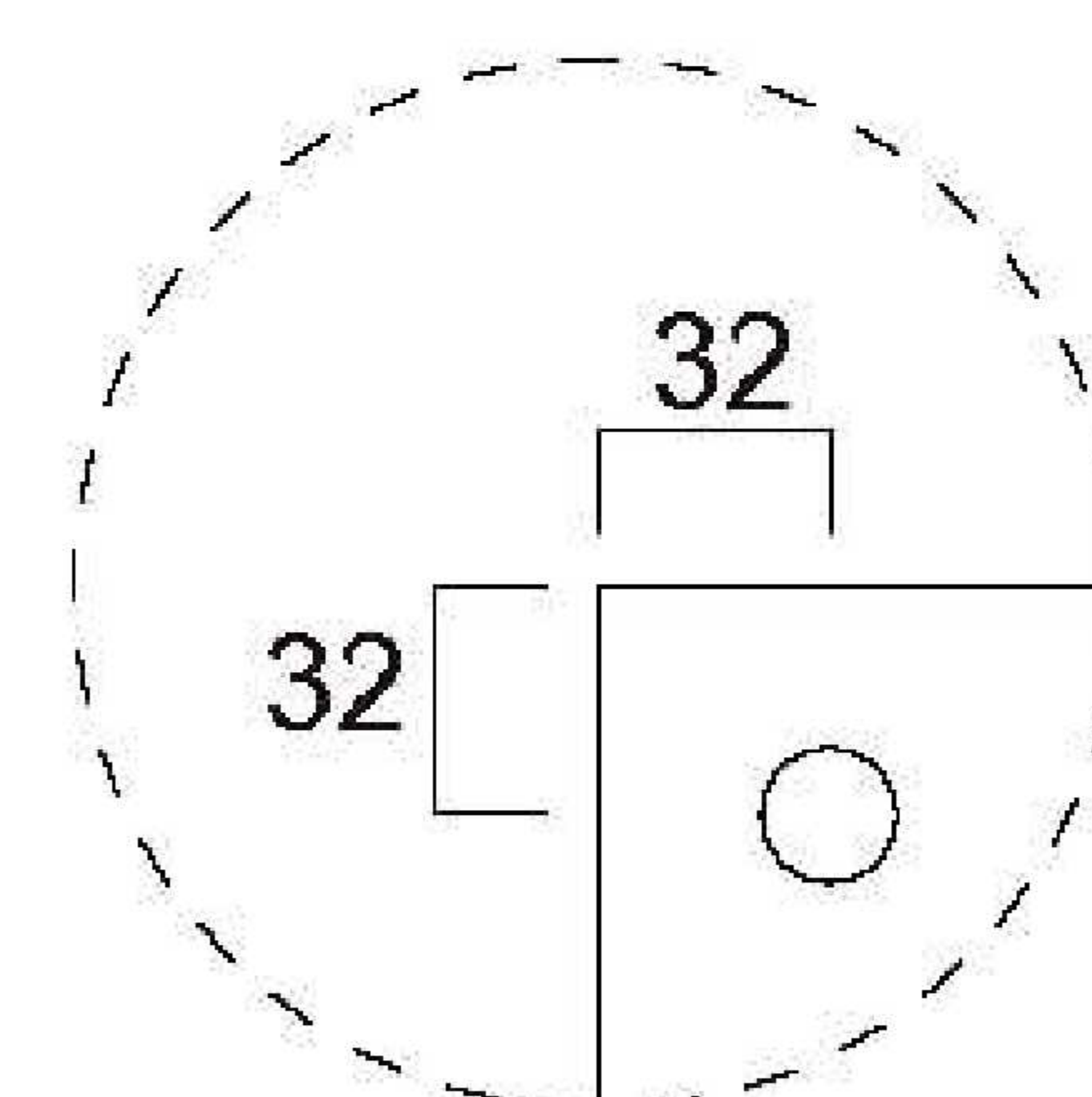
MATERIAL: ALLOY/A6061-T5
SURFACE FINISHING: BUFFING
SIZE: 250x750(h)x250mm
UNIT WEIGHT: 3.52kg



The size of the finishing materials



Thk 2~5mm Thk 2~5mm

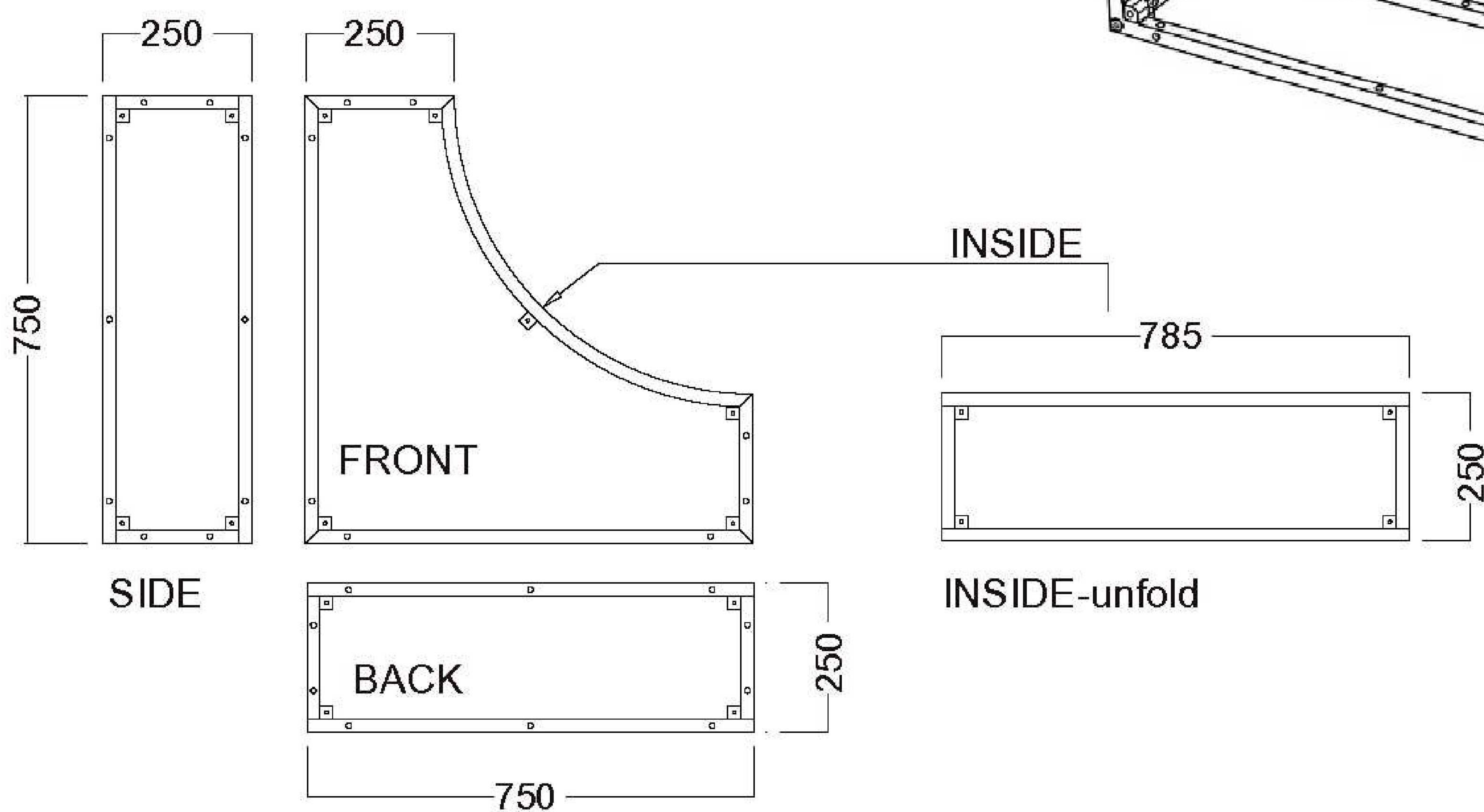
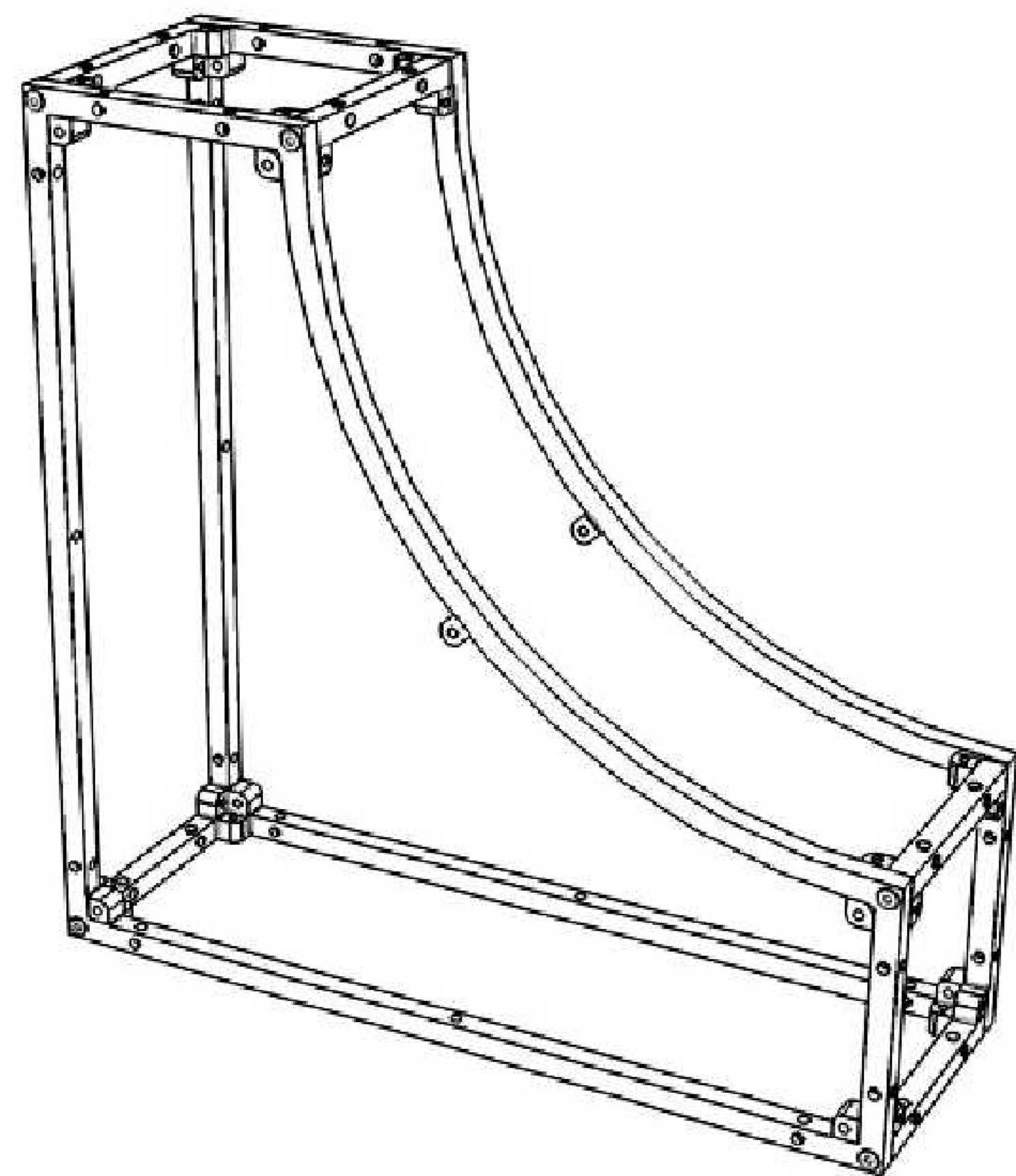


Standard Size
HOLE Ø11

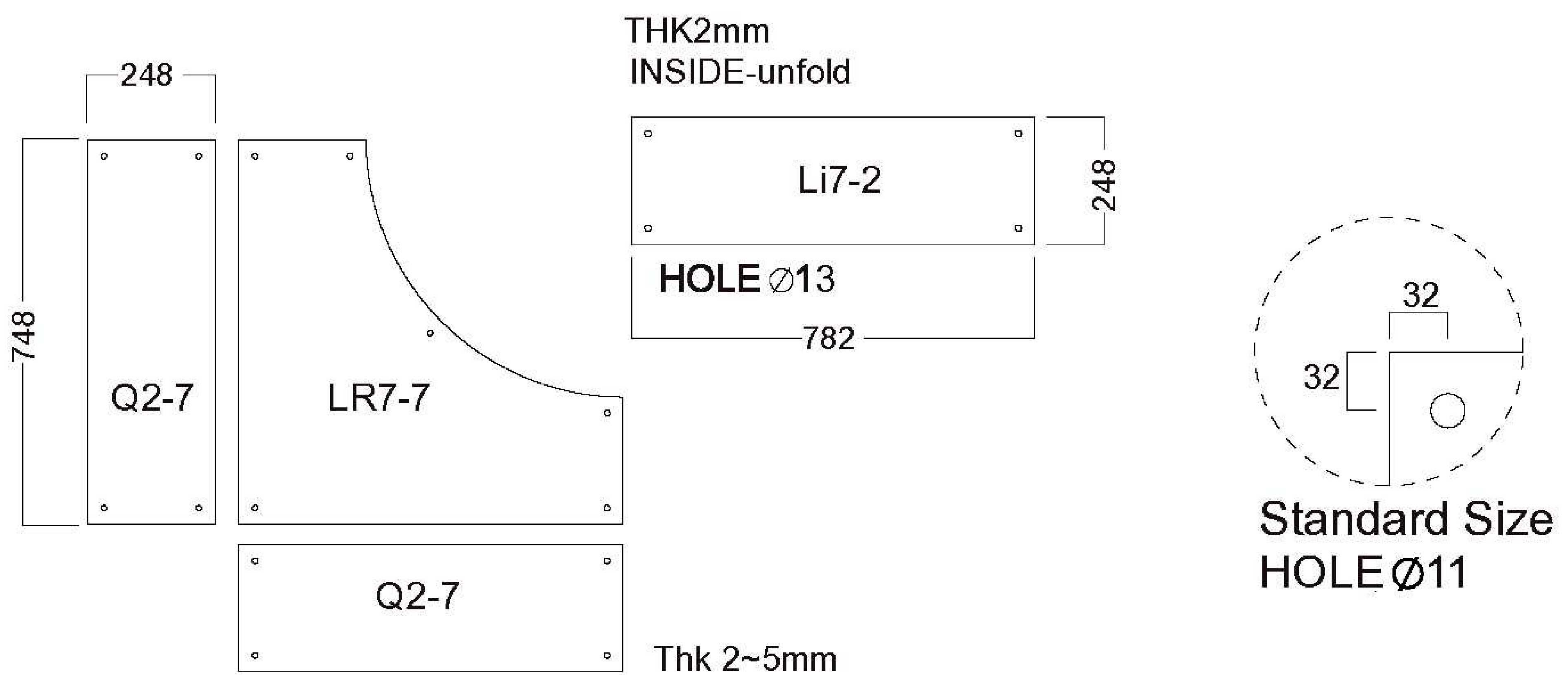
T-wave L250

Podo International Corp.
Worldwide Solution

MATERIAL: ALLOY/A6061-T5
SURFACE FINISHING: BUFFING
SIZE: 750x750(h)x250mm
UNIT WEIGHT: 5.15kg



The size of the finishing materials



T-WAVE modular system



Podo International Corp.

Email: mich.j@podoint.com Tel: +82(0)2-6959-3222 Fax: +82(0)2-6959-3223.
5F Sangbo building, 9-64, Sindorim-ro 11gil, Guro-gu, Seoul, Korea. ZIP 08206

(주) 포도 인터내셔널
서울 구로구 신도림로 11길 9-64 상보빌딩 5F.